

# WESAN WS G

BULK WATER METER | WOLTMAN

**DIEHL**  
Metering



## APPLICATION

For measuring of fluctuating flows in the utility sector.

## FEATURES

- ▶ Calibratable and exchangeable measuring insert
- ▶ For horizontal installation
- ▶ Sealed measuring insert for better accuracy
- ▶ Hydraulic bearing relief
- ▶ Encapsulated counter of glass/copper IP 68
- ▶ Complete head unit with counter and sensors can be rotated by 350° for easier reading
- ▶ System compatibility, WESAN WS G can be extended with IZAR RADIO (clip-on radio module) or IZAR PULSE (clip-on pulse module)
- ▶ Strong protection against magnetic manipulation

# WESAN WS G

BULK WATER METER | WOLTMAN

## GENERAL

WESAN WS G		
Medium temperature range	°C	1 ... 30
Temperature safety	°C	1 ... 50
Ambient operating temperature	°C	1 ... 55
Ambient storage temperature	°C	1 ... 55
Nominal pressure	PN	bar 16 <sup>1</sup>
Protection class		IP 68

<sup>1</sup> see also special versions

## TECHNICAL DATA

Nominal diameter	DN	mm	50	65	80	100	150
Permanent flow rate	Q <sub>3</sub>	m <sup>3</sup> /h	25	40	63	100	250
Minimum flow rate	Q <sub>1</sub>	m <sup>3</sup> /h	0.63	1	1.58	2.5	6.25
Transitional flow rate	Q <sub>2</sub>	m <sup>3</sup> /h	1	1.6	2.52	4	10
Overload flow rate	Q <sub>4</sub>	m <sup>3</sup> /h	31.25	50	78.75	125	312.5
Starting flow rate		l/h	60	60	90	90	150
Flow rate at 0.1 bar pressure loss		m <sup>3</sup> /h	21	22	55	60	143
Pressure loss at Q <sub>3</sub>		bar	0.14	0.34	0.13	0.28	0.31

## APPROVAL

Nominal diameter	DN	mm	50	65	80	100	150
MID (A 0445/3505/2011)			•	•	•	•	•
Dynamic range (Q <sub>3</sub> /Q <sub>1</sub> )	R		40•H	40•H	40•H	40•H	40•H
Potable water			AoC DEU	AoC DEU	AoC DEU	AoC DEU	AoC DEU

## REACH

Information pursuant to Article 33 (1) of Regulation (EC) No 1907/2006 of the European Parliament and of the Council of 18 December 2006:

This product series contains components with the following substances in a concentration of more than 0.1% weight by weight (w/w):

- Lead (CAS no.: 7439-92-1)

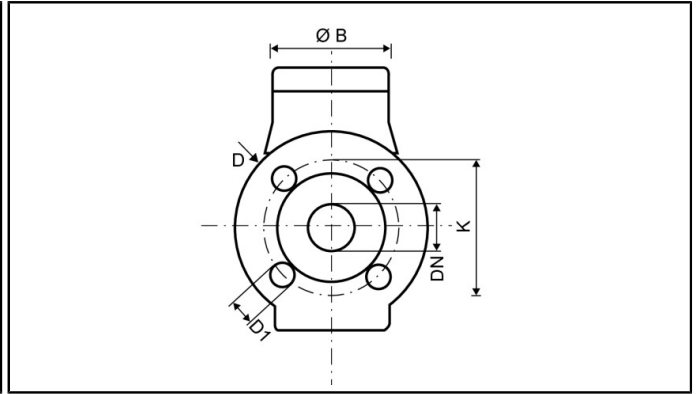
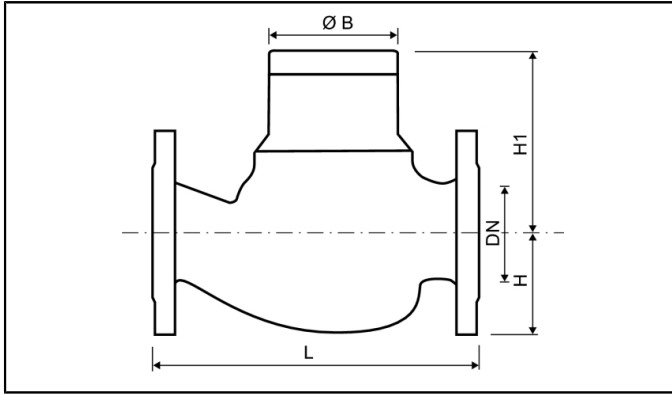
## DISPLAY RANGE

Nominal diameter	DN	mm	50	65	80	100	150
0.5 l ... 999,999 m <sup>3</sup>			•	•	•	•	
5.0 l ... 9,999,999 m <sup>3</sup>							•

# WESAN WS G

BULK WATER METER | WOLTMAN

## DIMENSIONS

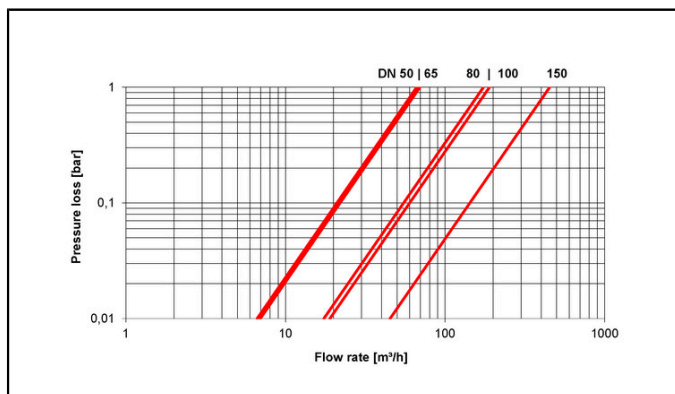


Nominal diameter	DN	mm	50	65	80	100	150
Overall length (DIN 19625)	L	mm	270	300	300	360	430 / 500
Overall length (DIN ISO 4064)	L	mm	300	300	350	350	500
Flange diameter	D	mm	165	185	200	220	285
Hole circle diameter	K	mm	125	145	160	180	240
Number of screwholes		pcs	4	4	4 / 8	8	8
Screw hole diameter	D1	mm	18	18	18	18	23
Height	H	mm	85	97	102	113	141
Height	H1	mm	135	135	180	190	351
Height to remove measuring insert		mm	240	240	330	340	620
Diameter	Ø B	mm	110	110	110	110	110
Meter width		mm	173	173	239	239	310
Weight		kg	14.5	17.7	24	28	79.5

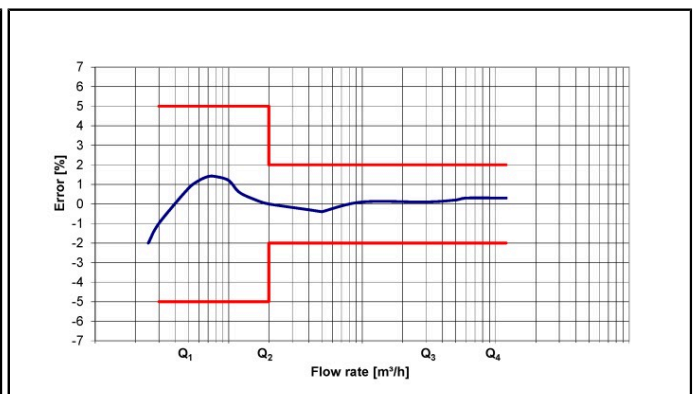
## SPECIAL VERSIONS

- Versions with different nominal pressure on request
- Flange for ANSI and BS on request
- Temperature up to 90 °C on request
- Special pulse values on request
- Special overall lengths on request

## PRESURE LOSS GRAPH / TYPICAL ERROR GRAPH



Pressure loss graph



Typical error graph