

WESAN WPV G

BULK WATER METER | WOLTMAN

DIEHL
Metering



APPLICATION

Meter for measuring heavily fluctuating flow rates.

FEATURES

- ▶ Calibratable and exchangeable measuring insert in one unit, suitable for calibration comprising: measuring insert as main meter, switch-over valve, measuring capsule as bypass meter
- ▶ Ideal design of housing and housing cover prevents sedimentation, stagnant water and air pockets
- ▶ Bypass line integrated in housing cover. No risk of sedimentation or corrosion.
- ▶ No measuring errors in the switch-over range
- ▶ Measuring capsule as bypass meter and non-return valve easily replaced on site
- ▶ Encapsulated counter of glass/copper IP 68
- ▶ Good long-term measuring accuracy
- ▶ Complete head unit with counter and sensors can be rotated by 350° for easier reading
- ▶ System compatibility, WESAN WPV G can be extended with IZAR RADIO (clip on radio module) or IZAR PULSE (clip on pulse module)
- ▶ In order to secure a safe switch-over the WESAN WPV G needs a minimum ingoing pressure of 0.6 bar

WESAN WPV G

BULK WATER METER | WOLTMAN

GENERAL

WESAN WPV G			
Medium temperature range	°C	1 ... 30	
Temperature safety	°C	1 ... 50	
Ambient operating temperature	°C	1 ... 55	
Ambient storage temperature	°C	1 ... 55	
Nominal pressure	PN	bar	16 ¹
Display range	0.5 l ... 999,999 m ³		
Protection class	IP 68		
Available bypass meters	ALTAIR MCI		

¹ versions with different nominal pressure on request (see also special versions)

TECHNICAL DATA

Nominal diameter	DN	mm	50	80	100
Permanent flow rate	Q ₃	m ³ /h	25	63	100
Minimum flow rate	Q ₁	l/h	25 ²	25 ²	25 ²
Transitional flow rate	Q ₂	l/h	40 ²	40 ²	40 ²
Overload flow rate	Q ₄	m ³ /h	31.25	78.75	125
Starting flow rate		l/h	2 ²	2 ²	2 ²
Permanent flow rate bypass meter	Q ₃	m ³ /h	4	4	4
Switch-over flow rate rising		m ³ /h	2.2	2.7	2.4
Switch-over flow rate falling		m ³ /h	0.9	1.1	1.2

² with bypass meter ALTAIR MCI

APPROVAL

Nominal diameter	DN	mm	50	80	100
MID (DE-16-MI001-PTB002)			•	•	•
Dynamic range bypass meter					
ALTAIR MCI (Q ₃ /Q ₁)	R		1000	2500	4000
Potable water			AoC DEU	AoC DEU	AoC DEU

REACH

Information pursuant to Article 33 (1) of Regulation (EC) No 1907/2006 of the European Parliament and of the Council of 18 December 2006:

This product series contains components with the following substances in a concentration of more than 0.1% weight by weight (w/w):

- Lead (CAS no.: 7439-92-1)

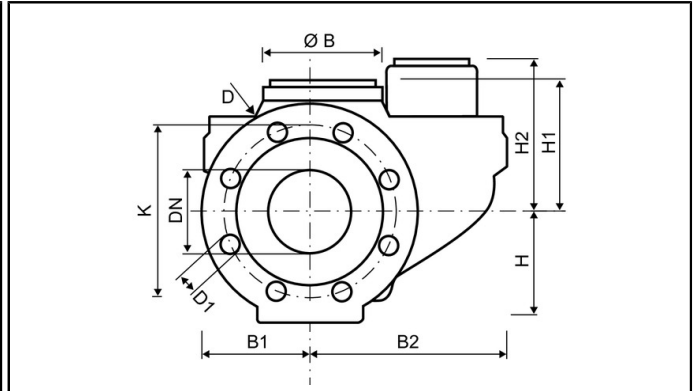
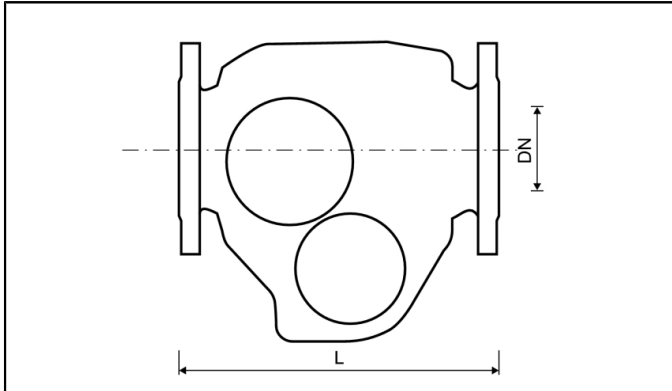
SPECIAL VERSIONS

- Versions with different nominal pressure on request
- Special flange holes on request

WESAN WPV G

BULK WATER METER | WOLTMAN

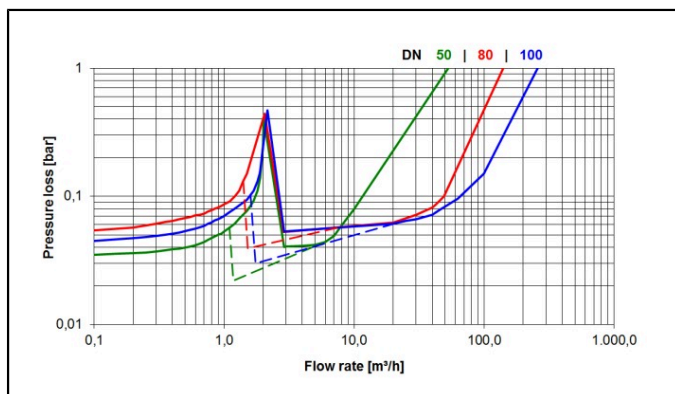
DIMENSIONS



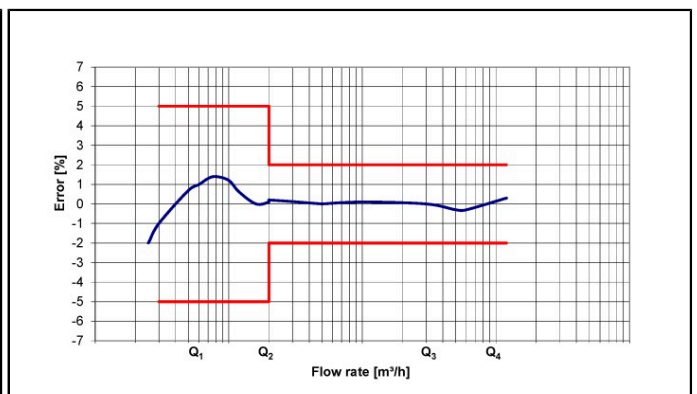
Nominal diameter	DN	mm	50	80	100
Overall length (DIN 19625)	L	mm	270	300	360
Overall length (DIN ISO 4064)	L	mm	-	300	350
Flange diameter	D	mm	165	200	220
Hole circle diameter	K	mm	125	160	180
Number of screwholes		pcs	4	8 / 4	8
Screw hole diameter	D1	mm	18	18	18
Height	H	mm	76	105	101
Height	H1	mm	115	135	140
Height	H2	mm	171 ²	172 ²	143 ²
Height to remove measuring insert		mm	250 ²	280 ²	280 ²
Width	B1	mm	85	100	110
Width	B2	mm	160	180	180
Diameter	Ø B	mm	110	110	110
Weight of complete meter		kg	17.4	25.5	29
Weight of measuring insert		kg	6.3	9.3	9.3

² with bypass meter ALTAIR MCI

PRESSURE LOSS GRAPH / TYPICAL ERROR GRAPH



Pressure loss graph



Typical error graph