

WESAN WPV A G

BULK WATER METER | WOLTMAN

DIEHL
Metering



APPLICATION

Meter for measuring heavily fluctuating flow rates.

FEATURES

- ▶ Ideal design of housing and housing cover prevents sedimentation, stagnant water and air pockets
- ▶ No measuring errors in the switch-over range
- ▶ Encapsulated counter of glass/copper IP 68
- ▶ Good long-term measuring accuracy
- ▶ Complete head unit with counter and sensors can be rotated by 350° for easier reading
- ▶ System compatibility, WESAN WPV A G can be extended with IZAR RADIO (clip on radio module), IZAR PULSE (clip on pulse module) or IZAR M-BUS I (clip on M-Bus module)
- ▶ In order to secure a safe switch-over the WESAN WPV A G needs a minimum ingoing pressure of 0.6 bar

WESAN WPV A G

BULK WATER METER | WOLTMAN

GENERAL

WESAN WPV A G			
Medium temperature range	°C	1 ... 30	
Temperature safety	°C	1 ... 50	
Ambient operating temperature	°C	1 ... 55	
Ambient storage temperature	°C	1 ... 55	
Nominal pressure	PN	bar	16 ¹
Display range			0.5 l ... 999,999 m ³
Protection class			IP 68
Available bypass meter			ALTAIR V4

¹ versions with different nominal pressure on request (see also special versions)

TECHNICAL DATA

Nominal diameter	DN	mm	150
Permanent flow rate	Q ₃	m ³ /h	160
Minimum flow rate	Q ₁	l/h	40
Transitional flow rate	Q ₂	l/h	64
Overload flow rate	Q ₄	m ³ /h	200
Starting flow rate		l/h	5
Permanent flow rate bypass meter	Q ₃	m ³ /h	16
Switch-over flow rate rising		l/h	4350
Switch-over flow rate falling		l/h	7800

APPROVAL

Nominal diameter	DN	mm	150
MID (DE-17-MI001-PTB003)			•
Dynamic range bypass meter			
ALTAIR V3 (Q ₃ /Q ₁)	R		4000 H
Potable water			KTW / W270

REACH

Information pursuant to Article 33 (1) of Regulation (EC) No 1907/2006 of the European Parliament and of the Council of 18 December 2006:

This product series contains articles with the following substances in a concentration of more than 0.1% weight by weight (w/w):

- Lead (CAS no.: 7439-92-1)

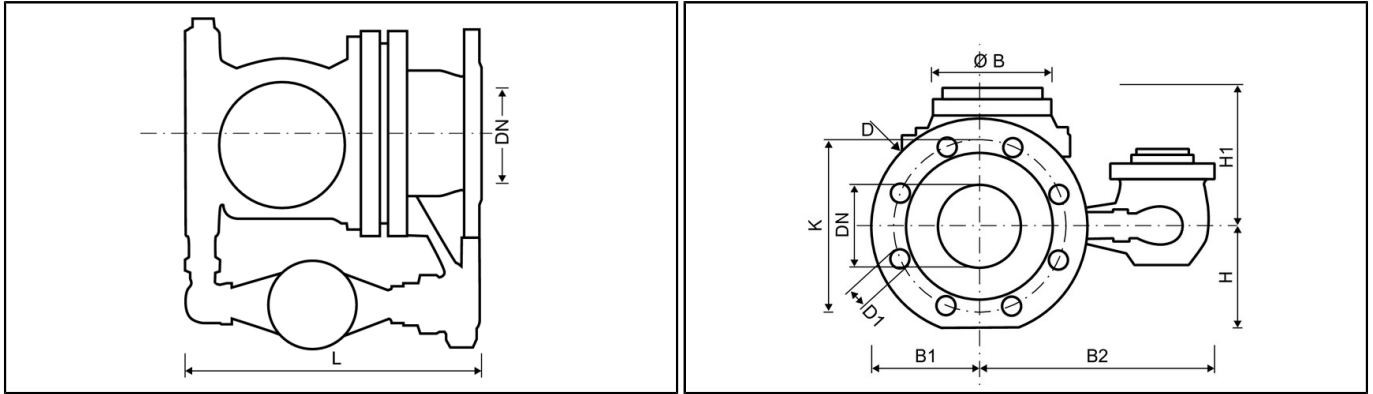
SPECIAL VERSIONS

- Versions with different nominal pressure on request
- Special flange holes on request

WESAN WPV A G

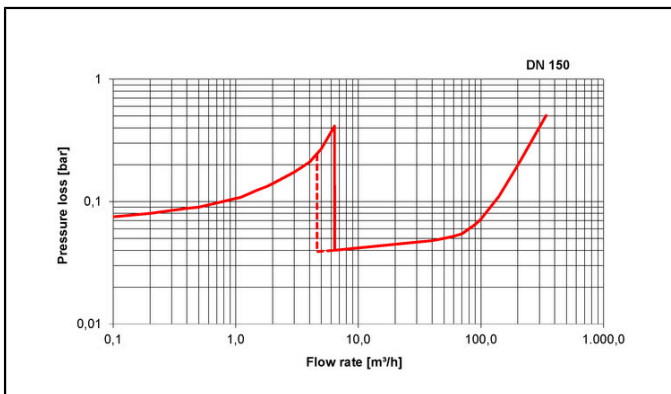
BULK WATER METER | WOLTMAN

DIMENSIONS

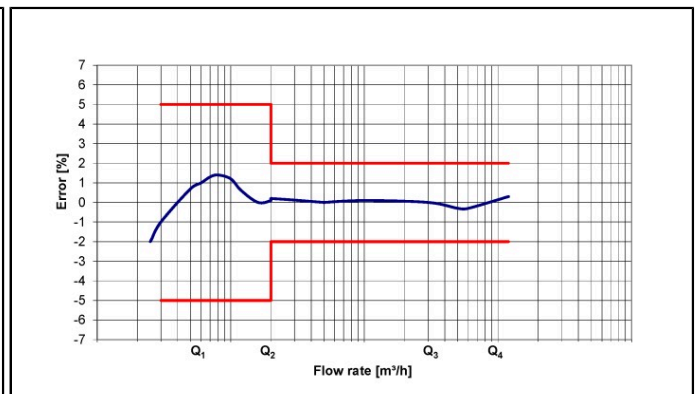


Nominal diameter	DN	mm	150
Overall length (DIN 19625)	L	mm	500 ± 15
Flange diameter	D	mm	285
Hole circle diameter	K	mm	240
Number of screwholes		pcs	8
Screw hole diameter	D1	mm	22
Height	H	mm	150
Height	H1	mm	210
Height to remove measuring insert		mm	475
Width	B1	mm	143
Width	B2	mm	310
Diameter	Ø B	mm	115
Weight of complete meter		kg	68

PRESSURE LOSS GRAPH / TYPICAL ERROR GRAPH



Pressure loss graph



Typical error graph