

SHARKY FUE 380

ULTRASONIC FLOW SENSOR

DIEHL
Metering



APPLICATION

SHARKY ultrasonic flow sensor model FUE 380 is designed for measuring water flow in local and district heating / cooling systems. Its ultrasonic technology is based on the transit time measurement. It offers many benefits : no moving parts (reduces wear and tear of the metering components), low pressure loss, wide dynamic measuring range, low start flowrate and insensitiveness to suspended particles.

FEATURES

- ▶ MID Class 2 approval
- ▶ Complete range from DN 125 up to DN 350
- ▶ Applicable for calculators with impulse input
- ▶ Heat-transfer fluid: glycol-free water
- ▶ Temperature range from +5°C to +120°C for the compact version and +5°C to +200°C for the separated converter version

SHARKY FUE 380

ULTRASONIC FLOW SENSOR

GENERAL

SHARKY FUE 380	
Application	heating / cooling Heat-transfer fluid: glycol-free water
Approval	MID (DK-200-MI004-005)
Ambient class	MID class E1 + M1
Ambient temperature	°C 0 ... +60
Power supply	87 VAC ... 250 VAC 50 ... 60 Hz
Mounting position	any position
Protection class	IP 67
Interface	pulse output
Volume pulse value	100 l / pulse

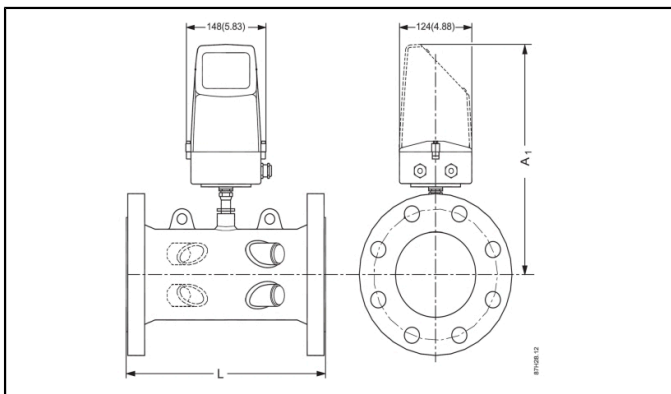
TEMPERATURE RANGE

SHARKY FUE 380	
Temperature range compact version	°C +5 ... +120
Temperature range separated converter version	°C +5 ... +200

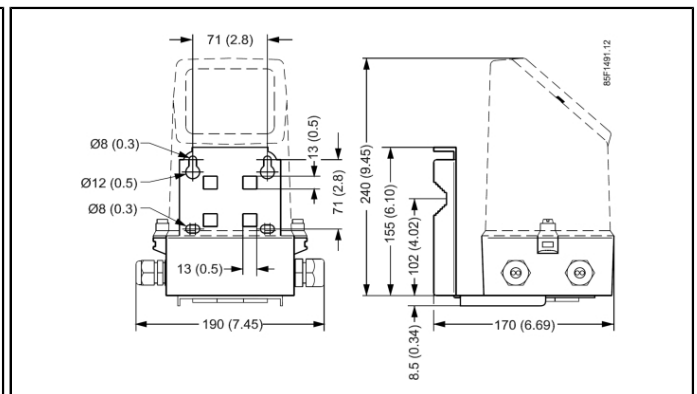
TECHNICAL DATA

Nominal flowrate	Q _p	m ³ /h	200	300	500	800	1,120	1,500
Nominal diameter	DN	mm	125	150	200	250	300	350
Overall length	L	mm	350	500	500	600	500	550
Minimum flow rate	Q _i	m ³ /h	2	3	5	8	11.2	15
Maximum flow rate	Q _s	m ³ /h	280	420	700	1,120	1,560	2,100
Flanges nominal pressure	PN	bar	16 / 40	16 / 40	16 / 40	16 / 40	16 / 25	16 / 25

DIMENSIONS



Compact version



Separated converter version, wall mounting

DIMENSIONS FLANGED VERSION PN 16

Nominal flowrate	Q _p	m ³ /h	200	300	500	800	1,120	1,500
Nominal diameter	DN	mm	125	150	200	250	300	350
Overall length	L	mm	350	500	500	600	500	550
Height	A ₁	mm	380	390	414	440	466	495
Flanges nominal pressure	PN	bar	16	16	16	16	16	16
Flange diameter	D	mm	250	285	340	405	460	520
Hole circle diameter	K	mm	210	240	295	355	410	470
Screw hole diameter	D1	mm	18	22	22	26	26	26
Number of screw holes	pcs		8	8	12	12	12	16
Weight	kg		18	28	38	60	66	94

Diehl Metering S.A.S. · Head Office · 67 rue du Rhône · BP 10160 · FR-68304 Saint-Louis Cedex · Phone: + 33 (0)3 89 69 54 00 · Fax: + 33 (0)3 89 69 72 20 · metering-France-info@diehl.com · www.diehl.com/metering
 International Sales · 67 rue du Rhône · BP 10160 · FR-68304 Saint-Louis Cedex · Phone: + 33 (0)3 89 69 54 21 · Fax: + 33 (0)3 89 69 54 22 · metering-France-export@diehl.com
 Subject to technical adjustments.

SHARKY FUE 380

ULTRASONIC FLOW SENSOR

DIMENSIONS FLANGED VERSION PN 25 AND PN 40

Nominal flowrate	Q _p	m ³ /h	200	300	500	800	1,120	1,500
Nominal diameter	DN	mm	125	150	200	250	300	350
Overall length	L	mm	350	500	500	600	500	550
Height	A ₁	mm	380	390	414	440	466	495
Flanges nominal pressure	PN	bar	40	40	40	40	25	25
Flange diameter	D	mm	270	300	375	450	485	555
Hole circle diameter	K	mm	220	250	320	385	430	490
Screw hole diameter	D1	mm	26	26	30	33	30	33
Number of screw holes		pcs	8	8	12	12	16	16
Weight		kg	24	34	55	91	81	121