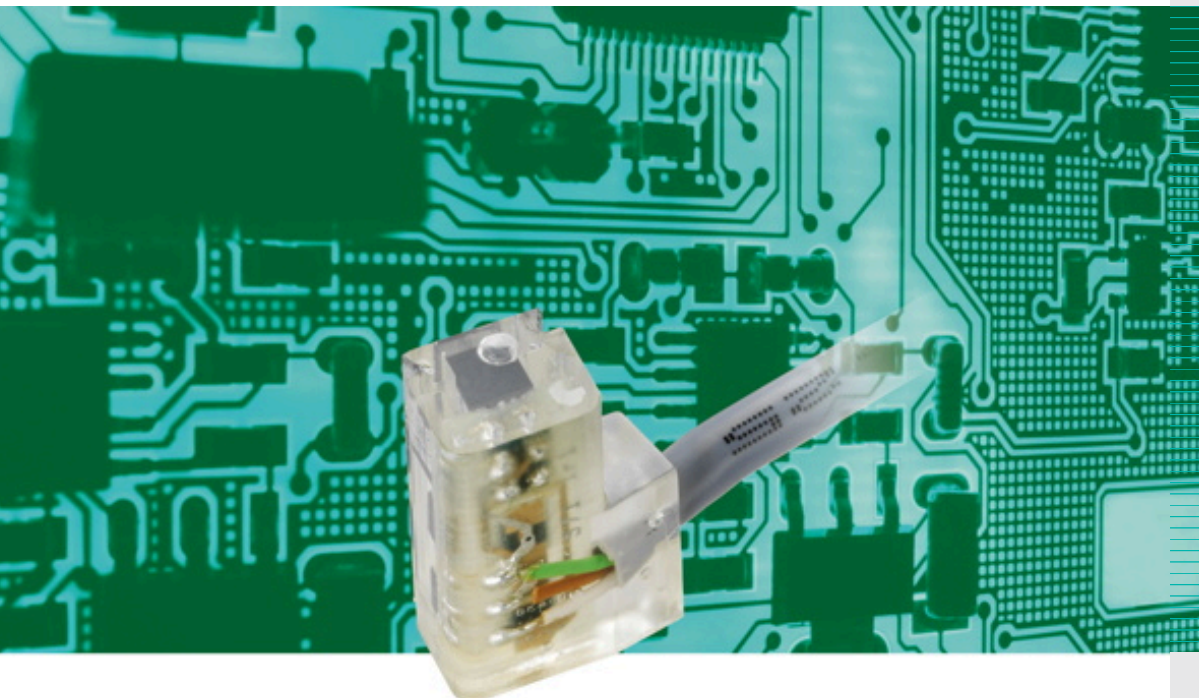


PULSE TRANSMITTER 571 / 572

ELECTRONIC ACCESSORY | TRANSMITTER

DIEHL
Metering



APPLICATION

Generation of a high pulse frequency, mainly for electronic processing (e.g. by signal converter or PC), for remote transmission of analogue flow rate values to display instruments or recorders, pipe leakage monitoring, control of pumps and valves, dosing and measuring heat amounts.

FEATURES

- ▶ Sensors easily replaced without adversely affecting the calibration of the water meters
- ▶ Interference-free scanning
- ▶ High pulse resolution
- ▶ Version infrared (571) or inductive (572)

PULSE TRANSMITTER 571 / 572

ELECTRONIC ACCESSORY | TRANSMITTER

FUNCTION

INFRARED REFLEX PULSE TRANSMITTER (571)

- The sensor acts together with a reflex impeller built into the counter as standard to provide a high-resolution pulse frequency proportional to the flow rate > three-wire technique
- 4-wire version, 4th wire colour: green/yellow > screening

INDUCTIVE PULSE TRANSMITTER (572)

- The sensor acts together with an initiator built into the counter as standard to provide a high-resolution pulse frequency proportional to the flow rate > two-wire technique

TECHNICAL DATA | INFRARED 571

PULSE TRANSMITTER	
Transmit diode supply	1.7 V, 20 mA
Phototransistor voltage Collector - emitter	V 30
Phototransistor voltage Emitter - collector	V 5
Cable type	Screened 3 x 0.25 mm ²
Cable length	m 2, 10
Cable length (without EMC test)	m Max. 10
Operating temperature	°C 0 ... 90
Protection class	IP 64

USABILITY | INFRARED 571

PULSE TRANSMITTER	
For bulk water meter	210, 229, 239
Pulse value DN 50 - 125	l/pulse 1
Pulse value DN 150 - 300	l/pulse 10
- - -	- - -
For multi-jet meter	CORONA MC 118
Pulse value Q _n 2.5	l/pulse 0.1

TECHNICAL DATA | INDUCTIVE 572

PULSE TRANSMITTER	
Version	Black encapsulated
Power supply	8 V, 8 mA (to NAMUR DIN 1934)
Idle current	mA ≤ 0.05
Working current	mA ≥ 3
Pulse width	ms 6 - 10 (monostabile switching)
Cable type	2 x 0.25 mm ²
Cable length	m 2
Cable length (without EMC test)	m max. 10
Operating temperature	°C 0 ... 90
Protection class	IP IP 64

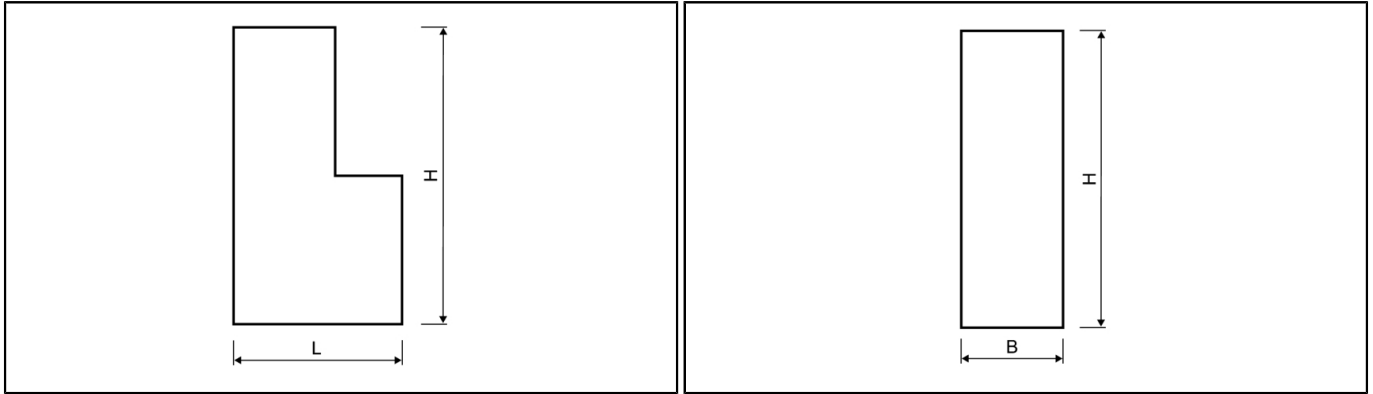
USABILITY | INDUCTIVE 572

PULSE TRANSMITTER	
For bulk water meter	210, 229, 239
Pulse value DN 50 - 125	l/pulse 1
Pulse value DN 150 - 300	l/pulse 10
- - -	- - -
For multi-jet meter	CORONA MC 118
Pulse value Q _n 2.5	l/pulse 0.1

PULSE TRANSMITTER 571 / 572

ELECTRONIC ACCESSORY | TRANSMITTER

DIMENSIONS



PULSE TRANSMITTER			
Length	L	mm	11
Height	H	mm	25
Width	B	mm	9.5

NOTE

- The pulse transmitter must be installed in a certain position. Correct installation:
For bulk water meter – cable downwards
For multi-jet meter – cable upwards
- Due to the risk of breakage, it is not possible to change the reading position of the counter or the hinge position by rotating the counter ring once the cable has been mounted!
- Sensors are not separate electronic devices and must therefore not bear a CE marking.

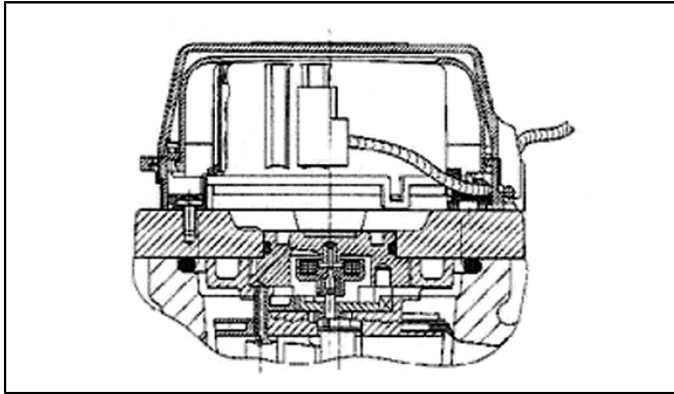
ORDER REFERENCES

Type	Infrared 571	Infrared 571	Infrared 571	Inductive 572	Inductive 572
Usable for	CORONA MC 118, 210, 229, 239		CORONA MC 118, 210, 229, 239	CORONA MC 118, 210, 229, 239	CORONA MC 118
Counter version	XK	XK	Standard	MF	Standard
Remark	2 m cable	10 m cable	2 m cable, PG7 connection	2 m cable	2 m cable, PG7 connection
Article number	571 000 01	571 000 02	571 000 11	630 224	572 000 02

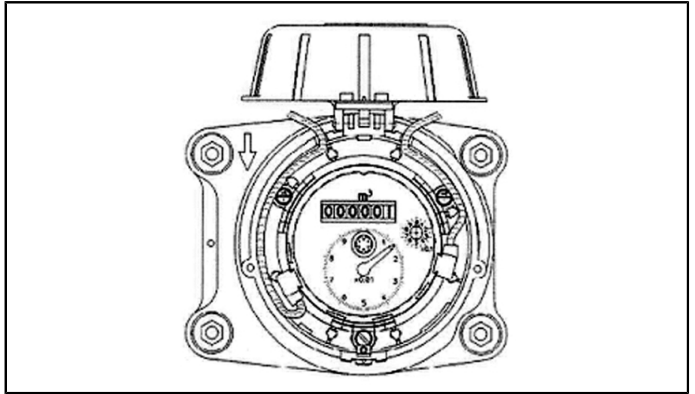
PULSE TRANSMITTER 571 / 572

ELECTRONIC ACCESSORY | TRANSMITTER

INSTALLATION OF TRANSMITTER FOR BULK WATER METER



Correct position of transmitter



Cable position

- Open the protective cover of the counter.
- Remove the inner protective cover by loosening the cylindrical screws on the side. Press the snap hook inwards to remove the cover!
- Rotate the counter to the desired reading position.
- Slide the sensor into the guide slot as far as the stop with the cable pointing downwards. Note: Position the pulse transmitter as shown on the adhesive label in the cover of the counter!
- Press the transmitter cable between the cams on the fixing ring and the wall of the cover ring for strain relief purposes.
- Then lead out the cable through the U-shaped cut-out.
- Slide the inner protective cover under the retaining edge at the side of the cover hinge and re-engage the snap hook.
- Fix the inner protective cover again with the screws on the side.

PIN ASSIGNMENT

