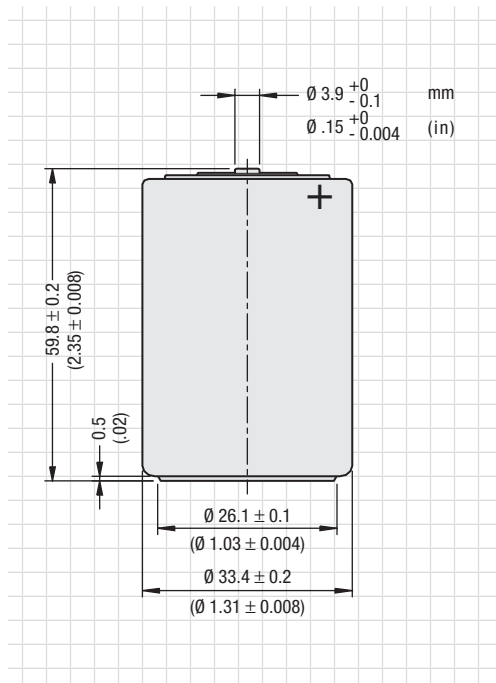


## SPECIFICATIONS PT-2300

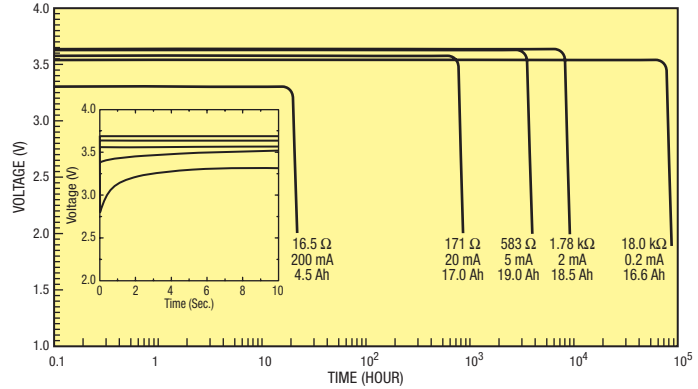
Typical values for batteries stored at 20°C for one year

Nominal Capacity (At 5mA/20°C/68°F/2.0V Cut-Off) .....	19 Ah
Open Circuit Voltage (At 20°C/68°F) .....	3.67 V
Nominal Voltage (At 5mA/20°C/68°F) .....	3.6 V
Maximum Continuous Current .....	230 mA
Maximum Pulse Current Capability .....	500 mA
Rated 1 Sec. Pulse Capability (To 3V) .....	100 mA
Operating Temperature	
Range .....	-55° to +85°C (-67° to +185°F)
Weight .....	97 g (3.26 oz)
Anode Surface Area .....	40 cm <sup>2</sup> (6.20 in <sup>2</sup> )
Volume .....	51 cm <sup>3</sup> (7.91 in <sup>3</sup> )
Diameter (Max) .....	33.6 mm (1.32 in)
Height (Max).....	60 mm (2.36 in)

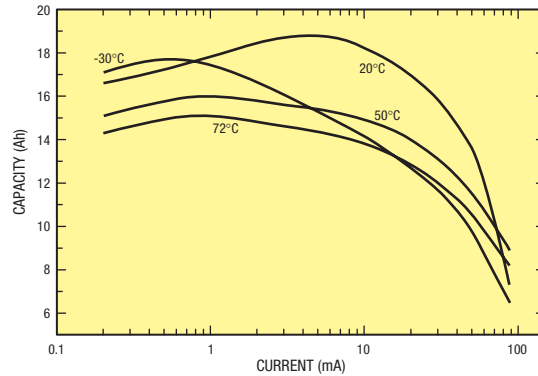
## PRODUCT SCHEMATIC



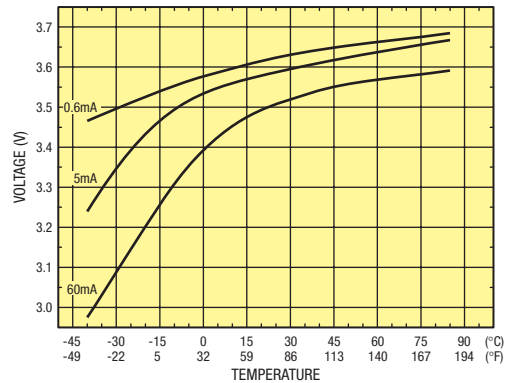
DISCHARGE CHARACTERISTICS AT +20°C (68°F)



CAPACITY vs. CURRENT



TEMPERATURE vs. OPERATING VOLTAGE



WARNING: Fire, Explosion And Severe Burn Hazard. Do Not Recharge, Crush, Disassemble, Heat Above 212°F (100°C), Incinerate Or Expose Contents To Water

### THE ECONOMICAL HIGH-POWER SOLUTION

The EaglePicher PT Series of KEEPER® cells was developed as an economical, high-power option for design experts who prefer the cylindrical design. With sizes and capacities ranging from the 1200 mAh (PT-2150) to the 19,000 mAh (PT-2300H), this cylindrical design will provide the long life power needed for commercial applications.

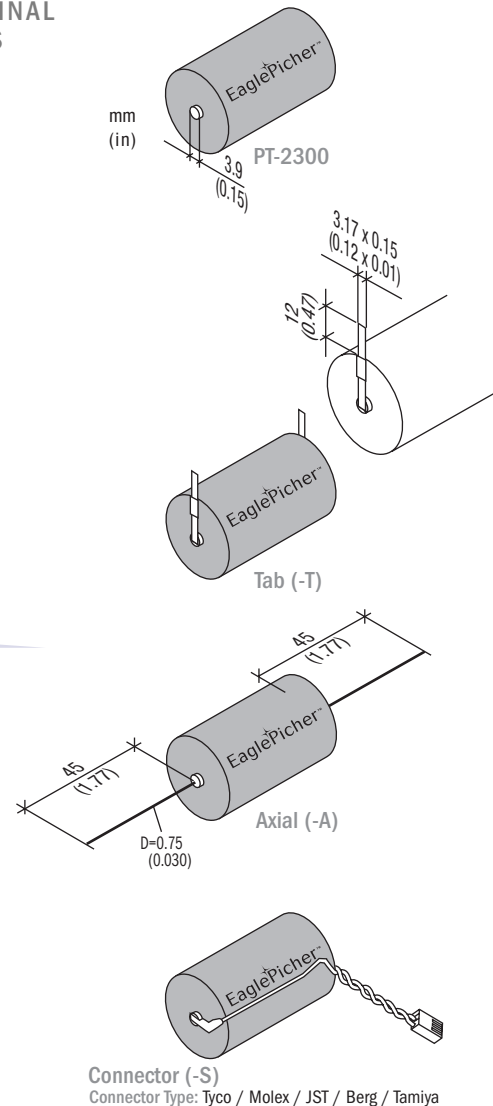
### PT SERIES PRODUCT FEATURES

- Compliant with lead-free RoHS and WEEE EC directives.
- Stainless steel construction provides corrosion resistance, hermetic seal and structural integrity.
- Years of low-rate continuous use.
- Stand-by use with 80% capacity retention after 15 years at room temperature.
- Wave solderable (limit solder bath exposure to a maximum of 5 seconds).
- High energy density compared to other chemistries.
- No charging circuits required.
- Higher cell voltage allows for fewer cells and high reliability.
- Flat discharge characteristics provide optimum voltage regulation.
- Non-pressurized system allows for high-temperature usage.
- Underwriters Laboratories recognized component.

### WE CAN DESIGN TO FIT ANY APPLICATION.

Our team of engineers can design any pin configuration required to fit your specialized application. If you don't see a battery configuration you need here, call us and we will begin working on a EP part number just for you.

### PT-2300 TERMINAL TYPES



The specifications on this sheet may be changed by EaglePicher without notice. EaglePicher™ is a trademark of and Keeper® is a registered trademark of EaglePicher Corporation.

DISTRIBUTED LOCALLY BY: