

OPTIFLUX 4300

ELECTROMAGNETIC FLOW SENSOR

DIEHL
Metering



APPLICATION

OPTIFLUX 4300 is an electromagnetic flow meter designed for measuring the flow of hot and cold water. Its electromagnetic technology gives it many advantages : no moving parts (no mechanical wear), high measuring dynamics, low pressure drop, low start-up flow and insensitivity to suspended particles. It can also be used for glycol water measurement (without MID approval).

FEATURES

- ▶ Measures all conductive liquids with conductivity > 20 $\mu\text{S}/\text{cm}$
- ▶ MID class 2 approval (for thermal energy)
- ▶ Heat transfer fluid : water
- ▶ Full range from DN 25 mm to DN 300 mm
- ▶ Compatible with pulse input computers
- ▶ Temperature range from +0°C to +180°C in separate version
- ▶ Approval temperature from +0 to +140°C in compact version
- ▶ Analogue output by default
- ▶ Other optional communication bus

OPTIFLUX 4300

ELECTROMAGNETIC FLOW SENSOR

GENERAL

OPTIFLUX 4300	
Application	Cooling Heat transfer fluid with conductivity > 20 $\mu\text{S}/\text{cm}$
Approval	MID (DE-13-MI004-PTB005)
Ambient class	MID class E2 + M2
Ambient temperature	$^{\circ}\text{C}$ -40 ... +65 $^{\circ}\text{C}$
Power supply	100 ... 230 VAC 50 ... 60 Hz
Mounting position	all positions
Protection class	IP 67
Interface	pulse output ; analogue output
Digital outputs (optional)	fieldbus, Modbus RTU, Profibus, PROFINET

TEMPERATURE RANGE

OPTIFLUX 4300	
Temperature range compact version	$^{\circ}\text{C}$ 0 ... +140
Temperature range separated converter version	$^{\circ}\text{C}$ 0 ... +180

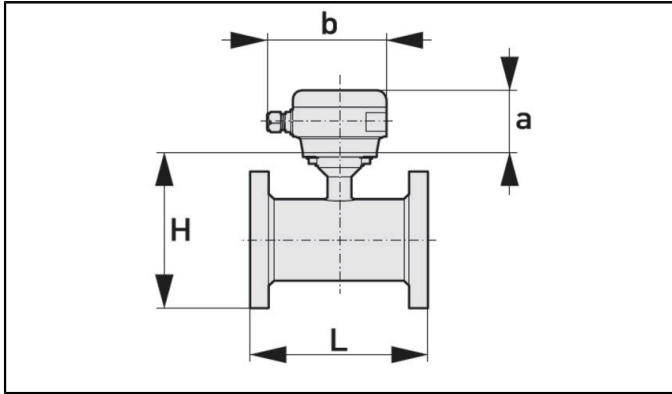
BASIC FEATURES

Nominal flowrate	Q_p	m^3/h	16	40	100	160	250
Nominal diameter	DN	mm	25	50	65	80	100
Length	L	mm	150	200	200	200	250
Minimum flow rate	Q_i	m^3/h	0.08	0.2	0.5	0.8	1.25
Maximum flow rate	Q_s	m^3/h	20	50	125	200	312.5
Default nominal pressure	PN	bar	40	40	16	16	16
Pulse weight		l/pulse	1	1	10	10	10
Analog output at 20 mA		m^3/h	20	50	125	160	312.5
Nominal flowrate	Q_p	m^3/h	400	400	1000	1600	2500
Nominal diameter	DN	mm	125	150	200	250	300
Length	L	mm	250	300	350	400	500
Minimum flow rate	Q_i	m^3/h	4	4	10	16	25
Maximum flow rate	Q_s	m^3/h	500	500	1250	2000	3125
Default nominal pressure	PN	bar	16	16	16	16	16
Pulse weight		l/pulse	100	100	100	100	100
Analog output at 20 mA		m^3/h	500	500	1250	2000	3125

OPTIFLUX 4300

ELECTROMAGNETIC FLOW SENSOR

DIMENSIONS



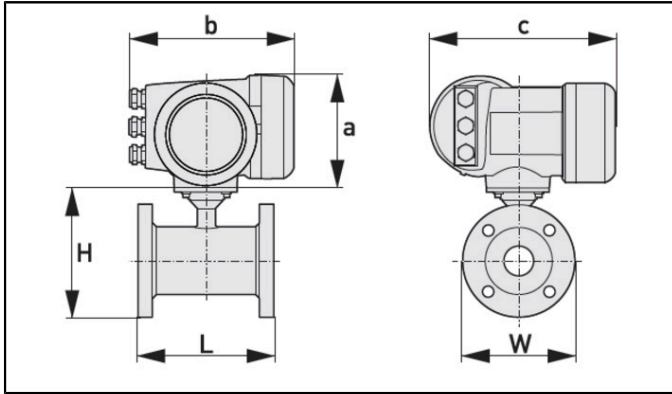
Separate version, wall mounting of the IFC 300 display

Nominal flowrate	Q_b	m ³ /h	16	40	100	160	250
Nominal diameter	DN	mm	25	50	65	80	100
Length	L	mm	150	200	200	200	250
Height	H	mm	228	253	288	297	325
Flanges nominal pressure		bar	40	40	16	16	16
Flange diameter		mm	115	165	185	200	220
Number of screwholes			4	4	4	8	8
Weight		kg	4	9	9	12	15
Nominal flowrate	Q_b	m ³ /h	400	400	1000	1600	2500
Nominal diameter	DN	mm	125	150	200	250	300
Length	L	mm	250	300	350	450	500
Height	H	mm	354	388	449	496	546
Flanges nominal pressure		bar	16	16	16	16	16
Flange diameter		mm	250	285	340	395	445
Number of screwholes			8	8	12	12	12
Weight		kg	19	58	78	111	130

OPTIFLUX 4300

ELECTROMAGNETIC FLOW SENSOR

COMPACT VERSION DIMENSIONS



Compact version

Nominal flowrate	Q_b	m ³ /h	16	40	100	160	250
Nominal diameter	DN	mm	25	50	65	80	100
Length	L	mm	150	200	200	200	250
Height	H	mm	140	186	237	209	237
Head height	A	mm	155	155	155	155	155
Head width	B	mm	230	230	230	230	230
Head depth	C	mm	260	260	260	260	260
Nominal pressure with flanges		bar	40	40	16	16	16
Flanges diameter		mm	115	165	185	200	220
Number of screwholes			4	4	4	8	8
Weight		kg	4	9	9	12	15

Nominal flowrate	Q_b	m ³ /h	400	400	1000	1600	2500
Nominal diameter	DN	mm	125	150	200	250	300
Length	L	mm	250	300	350	450	500
Height	H	mm	266	300	361	408	458
Head height	A	mm	155	155	155	155	155
Head width	B	mm	230	230	230	230	230
Head depth	C	mm	260	260	260	260	260
Nominal pressure with flanges		bar	16	16	16	16	16
Flanges diameter		mm	250	285	340	395	445
Number of screwholes			8	8	12	12	12
Weight		kg	19	58	78	111	130