

IZAR RDC BATTERY 2

RADIO | RECEIVER



APPLICATION

IZAR RDC BATTERY 2 is a data concentrator specifically designed for fixed network meters reading. IZAR RDC BATTERY 2 reads multi-energy meters (water, thermal energy, gas, electricity) and sensors equipped with the OMS, PRIOS and Real Data radio protocols. It transmits the data to a data storage server at preset times. IZAR RDC BATTERY 2 can manage up to 2,000 meters with the data directly processed using IZAR@NET 2 or IZAR PLUS PORTAL software. IZAR RDC BATTERY 2 has an easily on site replaceable battery pack which results in full energy autonomy. Optional an external 12V power supply can be connected. The internal OMS and cellular antennas can be replaced by external antennas.

FEATURES

- Available in 868 MHz or 434 MHz
- Local or remote configuration
- Interval of radio reading from 30 sec. to 60 min.
- Data transmission to FTP or FTP/s server
- Configurable rate of data transmission via 2G, LTE-M or NB-IoT
- Replaceable battery pack included
- Battery lifetime up to 10 years
- Data encryption

OPERATING PRINCIPLE

IZAR RDC BATTERY 2 receives radio frames according to the EN13757 standard and the OMS specification (Open Metering System), regardless of the type of medium measured (water, thermal energy, gas, electricity, temperature, humidity). Intelligent data filter options can be activated to precisely target the reading on defined meters by fluid type or manufacturer. The data transfer to an FTP or FTP/s storage server is performed automatically dependent on the configuration at up to eight fixed dates and timepoints. The Diehl Metering software solutions IZAR@NET or IZAR PLUS PORTAL enable the processing and exploitation of this data.

TECHNICAL DATA

IZAR RDC BATTERY 2

Housing	Light grey with option to be mounted on the wall	
Frequency	868.95 MHz (T1 & T1 + C1 mode), 868.3 MHz (S1 mode) or 434.475 MHz (T1 + C1 & S1 mode)	
Communication protocols	OMS wMBus, PRIOS, RealData	
Type of fluid measured	Multi-energy (water, thermal energy, electricity, temperatures, humidity...)	
Antenna	Internal cellular and OMS antenna (SMA connectors)	
Connectivity	Mini-USB cable	
Network	2G / LTE-M / NB-IoT	
Power supply	V(DC)	Field-replaceable 14Ah lithium battery pack & connector for external power supply (12V DC)
Battery lifetime	Up to 10 years*	
Configuration	Locally or remotely with a dedicated software (Windows)	

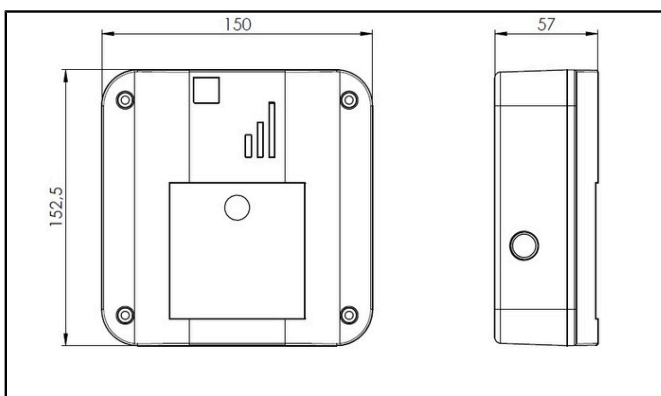
*Depending on the configuration and in standard conditions of use and temperatures. Theoretical lifetime not guaranteed.

AMBIENT CONDITIONS

IZAR RDC BATTERY 2

Ambient operating temperature	°C	-20 ... +55
Storage temperature	°C	-20 ... +25
Ambient humidity	%	25 ... 75
Protection class	IP67 - outdoor installation possible	

DIMENSIONS



IZAR RDC BATTERY 2

Length	mm	150
Width	mm	152.5
Height	mm	57

Economic Actor Information

Applicable regulation and legal obligations for products may change.

DIEHL METERING monitors applicable regulation to ensure their products comply at the date of placing on the market.

Each economic actor making products available on the market thereafter must independently keep informed about the current applicable regulation.

For questions, please contact: metering-germany-info@diehl.com

Diehl Metering GmbH
Donaustraße 120
90451 Nürnberg
Germany
Phone: +49 911 6424-0
metering-germany-info@diehl.com
www.diehl.com/metering

**EMPOWER A
SUSTAINABLE
FUTURE**