

IZAR RC i R4 LIGHT

RADIO MODULE



APPLICATION

IZAR Radio Compact Inductive R4 LIGHT is designed for mobile and long-range fixed network remote reading of Diehl Metering submetering meters.

IZAR RC i R4 LIGHT module can be clipped onto all the meters of the Diehl Metering inductive modular range (Ha +Ti or Ti) with a grey or red ring. It comprises a tamper proof sensor operating on inductive principle.

IZAR RC i R4 LIGHT is field or factory configured with the serial number of the associated meter. IZAR RC i R4 LIGHT transmits the meter reading via a unidirectional link every 32 seconds in R3 mode and every 15 minutes in long-range fixed network R4 mode.

IZAR RC i R4 LIGHT offers multiple functions (current index, 1 historical index value, remaining battery lifetime) and alarms (leaks, meter blocked, backflow...).

FEATURES

- Compact radio transmitter
- Compatible with Diehl Metering water meters
- Available in 868 MHz
- Designed for radio reading in walk-by or long-range fixed network
- IP 54 - not suitable for wet environment
- Lifetime up to 15 years
- 1 historical index with a specific date to simplify billing
- Insensitive to magnetic fraud

PRINCIPLE OF OPERATION

IZAR RC i R4 LIGHT includes an electronic circuit that collects the data coming from a Diehl Metering water meter and transmits in real time the index and other operating information every 32 seconds in R3 mode and every 15 minutes in long-range fixed network R4 mode.

Mobile reading in Walk-by:

The data sent by IZAR RC i R4 LIGHT is collected using a Diehl Metering handheld computer or tablet equipped with an IZAR RECEIVER BT and transferred directly to a centralized monitoring system.

Fixed network:

A fixed receiver IZAR RDC STANDARD/IZAR RDC BATTERY (fixed network R3) or IZAR RDC PREMIUM (long-range fixed network R4) installed in building, will collect all the data and send it at predefined intervals via GPRS or LAN to a centralized server.

Reading through M-Bus application with an IZAR CENTER together with an IZAR RECEIVER M-BUS and IZAR@NET 2 software is also possible.

TECHNICAL DATA

IZAR RC i R4 LIGHT	
Communication protocol	PRIOS
Frequency	MHz 868.95 (R3 mode) 868.30 (R4 mode)
Modulation	FSK
Transmission power	mW 16
Transmission mode	Unidirectional
Radio range	Up to 500 m (R3) and 1.5 km (R4) depending on the environment
Standards	EN 300 220, CE, RED directive, EN 13757-3/-4
Power supply	1 fixed 3.6 V lithium battery
Typical life	Up to 15 years*

* Standard conditions of use and temperature. Theoretical life, with no guarantee.

AMBIENT CONDITIONS

IZAR RC i R4 LIGHT	
Operating ambient temperature	°C +5 ... +55
Storage temperature	°C -20 ... +70
Degree of protection	IP 54

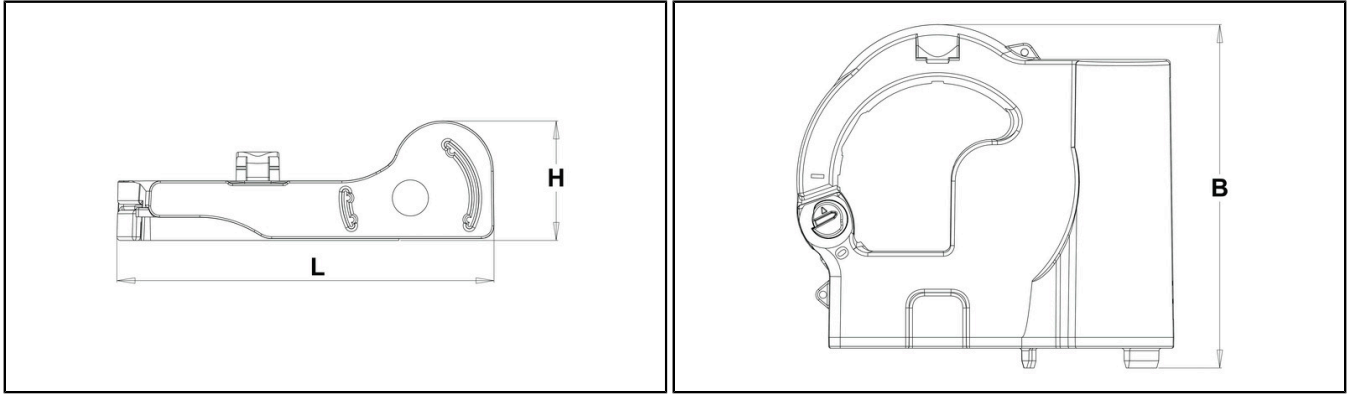
CONFIGURATION

IZAR RC i R4 LIGHT	
Interface	Optical IrDA
Functions	Current index Historical Index value Remaining battery lifetime
Alarms management	Leak detection Tamper detection Meter stopped Overflow Underflow Backflow

COMPATIBILITY

IZAR RC i R4 LIGHT	
Meters	Diehl Metering inductive modular range Ha+Ti or Ti. Pulse weight DN 15 to DN 40 (1 liter) Pulse weight DN 50 to DN 125 (10 liters) Pulse weight DN 150 to 300 (100 liters). Submetering use only.

DIMENSIONS



IZAR RC i R4 LIGHT

Length	L	mm	104
Height	H	mm	33
Width	B	mm	95

Economic Actor Information

Applicable regulation and legal obligations for products may change.

DIEHL METERING monitors applicable regulation to ensure their products comply at the date of placing on the market.

Each economic actor making products available on the market thereafter must independently keep informed about the current applicable regulation.

For questions, please contact: metering-germany-info@diehl.com

Diehl Metering S.A.S.
Head Office
67 rue du Rhône
BP 10160
FR-68304 Saint-Louis Cedex
Phone: + 33 (0)3 89 69 54 00
Fax: + 33 (0)3 89 69 72 20
metering-France-info@diehl.com

International Sales
67 rue du Rhône
BP 10160
FR-68304 Saint-Louis Cedex
Phone: + 33 (0)3 89 69 54 21
Fax: + 33 (0)3 89 69 54 22
metering-France-export@diehl.com
www.diehl.com/metering

**EMPOWER A
SUSTAINABLE
FUTURE**