

# IZAR RC i R4

RADIO MODULE

**DIEHL**  
Metering



## APPLICATION

IZAR Radio Compact Inductive R4 is designed for mobile reading and long-range fixed network remote reading of Diehl Metering meters. IZAR RC i R4 radio module can be clipped onto all the meters of the Diehl Metering inductive modular range (Ha+Ti or Ti), with a grey or red ring. It comprises a tamper proof sensor operating on inductive principle.

Easy to fit, IZAR RC i R4 is field or factory programmable with the identification number of the associated meter. IZAR RC i R4 radio module transmits the meter reading via a unidirectional link every 8 seconds in mobile mode R3 and every 15 minutes in fixed network mode R4.

IZAR RC i R4 offers multiple functions (historical index value, remaining battery lifetime...) and alarms (leaks, meter stopped, backflow...).

## FEATURES

Compact radio emitter  
Compatible with a modular meter inductive technology (Ha+Ti or Ti)  
Available in 868 MHz and 434 MHz  
Suited for mobile reading and long range fixed network  
IP 68  
Lifetime up to 15 years  
Different functions and alarms  
1 historical index value stored at predefined date to facilitate billing  
Insensitive to magnetic fraud

# IZAR RC i R4

## RADIO MODULE

### PRINCIPLE OF OPERATION

IZAR RC i R4 includes an electronic circuit that collects data coming from a Diehl Metering water meter and stores them in real time in the memory of the radio module. IZAR RC i R4 transmits the index and other operating information every 8 seconds in mobile mode R3 and every 15 minutes in long-range fixed network mode R4.

Walk-by / Drive-by / Passive Drive-by :

The data sent by IZAR RC i R4 is collected using either a Diehl Metering handheld computer\* equipped with an IZAR RECEIVER BT for Walk-by/Drive-by or an IZAR RDC VEHICLE for passive Drive-by. Data is then transferred directly to a centralized monitoring system.

Fixed network :

A fixed receiver IZAR RDC STANDARD/IZAR RDC BATTERY (small area fixed network R3) or IZAR RDC PREMIUM (long-range fixed network R4) installed in building, will collect the data from all the IZAR RC i R4, memorize them and send them each day via GPRS or LAN to a centralized server. Reading via M-Bus application such as an IZAR CENTER together with an IZAR RECEIVER M-BUS and IZAR@NET 2 software is possible as well.

(\*) IZAR system is also compatible with a tablet. Please contact us for more information.

### TECHNICAL DATA

IZAR RC i R4	
Communication protocol	PRIOS
Frequency	MHz 868.95 or 434.47 (R3 mode) and 868.30 or 433.42 (R4 mode)
Modulation	FSK
Transmission power	mW 16
Transmission mode	Unidirectional
Radio range	Up to 500 m depending on the environment
Approval	EN 300 220, CE, RED directive, EN 13757-3/-4
Power supply	Lithium 3.6 V
Battery lifetime	Up to 15 years*

\* Standard conditions of use and temperature. Theoretical life, with no guarantee.

### AMBIENT CONDITIONS

IZAR RC i R4	
Operating temperature range	°C -15 ... +55
Storage temperature range	°C -20 ... +70
Ambient humidity	% 0 ... 100
Degree of protection	IP 68

### CONFIGURATION

IZAR RC i R4	
Interface	Optical IrDA
Functions	Standard index   Historical index value   Remaining battery lifetime
Alarms management	Leak detection   Meter stopped   Overflow   Underflow   Backflow   Mechanical tampering

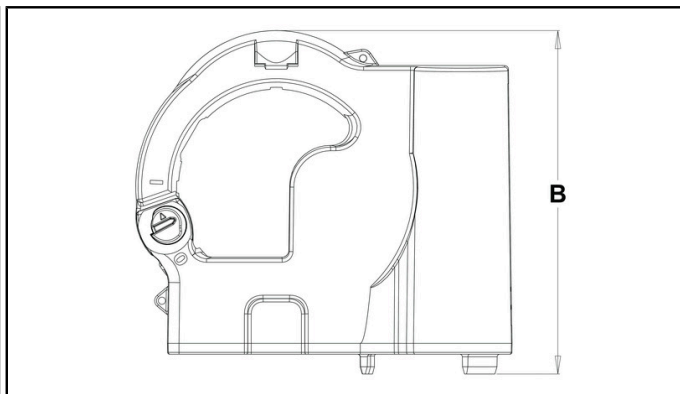
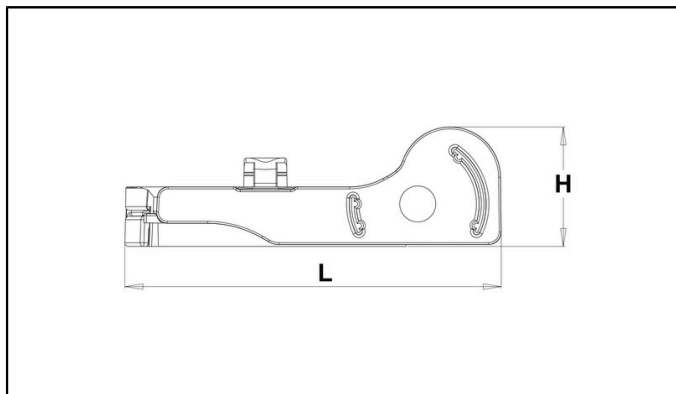
### COMPATIBILITY

IZAR RC i R4	
Meters	Diehl Metering inductive modular range Ha+Ti or Ti (grey ring). Pulse weight DN15 to DN40 (1 liter)   Pulse weight DN50 to DN125 (10 liters)   Pulse weight DN150 to 300 (100 liters)

# IZAR RC i R4

RADIO MODULE

## DIMENSIONS



IZAR RC i R4			
Length	L	mm	100
Height	H	mm	33
Width	B	mm	100