

IZAR RADIO EXTERN 868 TEMP INT

RADIO MODULE

DIEHL
Metering



APPLICATION

IZAR RE 868 TEMP INT radio generation operates under Real Data protocol (wireless M-Bus) at a frequency of 868 MHz. This radio is equipped with a temperature sensor with a wide measuring range (-15°C to +55°C). IZAR RE 868 TEMP INT comes fully programmed and ready to use with an identification number. IZAR RE 868 TEMP INT transmits the ambient as well as the minimal, maximal and average temperature of the last 6-hours period. IZAR RE 868 TEMP INT can be read in mobile mode with a handheld computer together with an IZAR RECEIVER BT. In fixed network mode, reading is performed using either the IZAR RDC STANDARD/BATTERY or PREMIUM or the M-Bus IZAR CENTER installation.

FEATURES

- ▶ Internal temperature sensor
- ▶ 868 MHz radio frequency
- ▶ Real Data protocol
- ▶ Battery lifetime up to 12 years
- ▶ IP 68
- ▶ Ambient temperature
- ▶ Lowest, highest, average temperature

IZAR RADIO EXTERN 868 TEMP INT

RADIO MODULE

PRINCIPLE OF OPERATION

IZAR RE 868 TEMP INT includes a temperature sensor that records current temperature as well as the highest, lowest and average values on a 6-hours period. This radio can be read through walk-by/drive-by or fixed network and is 100% compatible with Real Data protocol. IZAR RE 868 TEMP INT enables the control, for example, of leak on the overheated water network and the detection of breaks on the cold chain.

TECHNICAL DATA

IZAR RE 868 TEMP INT	
Communication protocol	Real Data (Wireless M-Bus)
Frequency	MHz 868.95
▶ Modulation	▶ ▶ FSK
Transmission power	mW 16
Transmission mode	Unidirectional
Radio range	Up to 500 m depending on the environment
Approval	EN 300 220, CE, RED directive, EN 13757-3/-4
Power supply	1 fixed lithium battery 3.6 V
Typical life	Up to 12 years*

*Under standard conditions of use and temperatures. Theoretical life, not guaranteed.

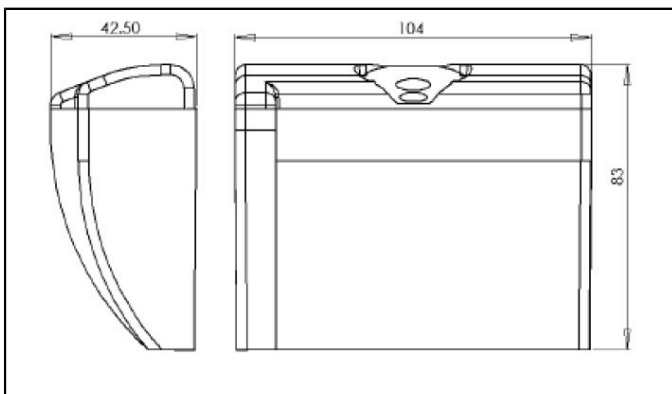
AMBIENT CONDITIONS

IZAR RE 868 TEMP INT	
Module operating temperature	°C -15 ... +55
Storage temperature	°C -20 ... +70
Sensor sensibility	°C -10 ... +55 -> +/-0.5 -15 ... -10 -> +/-2
Sensor	Internal
Humidity	% 0 ... 100
Protection class	IP 68

PROGRAMMING

IZAR RE 868 TEMP INT	
Interface	Optical IrDA

DIMENSIONS



IZAR RE 868 TEMP INT		
Length	mm	104
Height	mm	42.5
Width	mm	83