

# IZAR RADIO COMPACT HALL

RADIO MODULER

**DIEHL**  
Metering



## APPLICATION

IZAR RC H radio is designed for remote meter reading. The radio operates under PRIOS protocol at a frequency of 868 or 434 MHz. It is compatible with Diehl Metering modular meters in Hall or mixed version (grey ring).

IZAR RC H is easy to fit and is field programmable with the identification number of the associated meter.

IZAR RC H radio module transmits the meter reading via a unidirectional radio link every 8 seconds. IZAR RC H offers a number of functions (index at anniversary date, remaining battery lifetime, etc.) and alarms (leaks, meter blocked, reverse water flow etc.).

One fixed battery enables independent operation for up to 15 years of standard use.

## FEATURES

Compact radio transmitter  
Compatible with a mixed or modular meter  
Hall  
Available in 868 MHz and 434 MHz  
IP 68  
Battery lifetime up to 15 years  
Different functions and alarms

# IZAR RADIO COMPACT HALL

## RADIO MODULER

### PRINCIPLE OF OPERATION

IZAR RC H includes an electronic circuit that records the data sent by an emitter and stores it in a memory. IZAR RC H transmits the index and other operating data every 8 seconds.

Walk-by/Drive-by :

The IZAR HANDHELD PSION\* equipped with an IZAR RECEIVER BLUETOOTH is first loaded with the reading round data. It collects the reading data and directly transfers it to the central computer system.

Fixed network :

A fixed IZAR RECEIVER GPRS/LAN installed in buildings will collect the data from all the IZAR RC H, memorized it, and send it every day through GPRS/LAN to a centralized server.

Reading through MBus application with IZAR CENTER is possible as well.

(\*) The IZAR system is compatible with other handheld computers as well. Please contact us.

### TECHNICAL DATA

IZAR RADIO COMPACT	
Communication protocol	PRIOS
Frequency	MHz 868 / 434
Modulation	FSK
Transmission power	mW 16
Transmission mode	unidirectional
Radio range	Up to 500 m depending on the environment
Approval	EN 300 220, CE RTTE
Power supply	1fixed lithium battery 3.6 V
Battery lifetime	up to 15 years *

\* Standard conditions of use and temperature. Theoretical life, with no guarantee.

### AMBIENT CONDITIONS

IZAR RADIO COMPACT	
Operating temperature range	°C -15 ... +55
Storage temperature range	°C -20 ... +70
Ambient humidity	% 0 ... 100
Degree of protection	IP 68
ATEX	On request

### PROGRAMMING

IZAR RADIO COMPACT	
Interface	Optical IrDA
Alarms management	Leak detection; Mechanical and magnetic tampering; Meter stopped; Overflow; Underflow; Backflow; Historical index

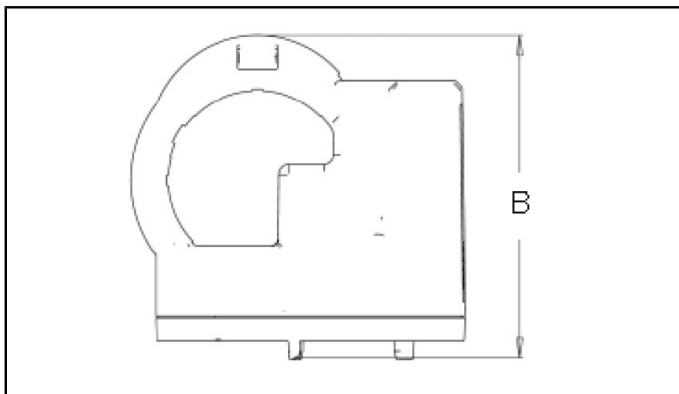
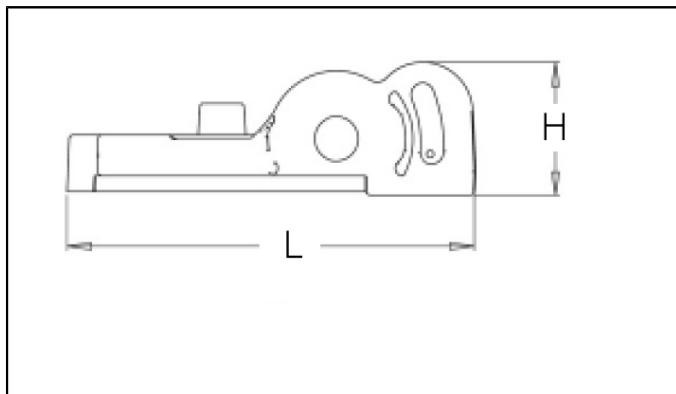
### COMPATIBILITY IZAR

IZAR RADIO COMPACT	
Meters	Diehl Metering modular range : Pulse weight DN15 to DN40 mm (1 liter) / Pulse weight DN50 to DN100 mm (10 liters)

# IZAR RADIO COMPACT HALL

RADIO MODULER

## DIMENSIONS



### IZAR RADIO COMPACT

Length	L	mm	100
Height	H	mm	33
Width	B	mm	100