

# IZAR PULSE I

## ELECTRONIC ACCESSORY | TRANSMITTER



### APPLICATION

IZAR PULSE i is a pulse emitter that can be clipped onto all the water meters of the Diehl Metering inductive modular range (Ti) making them communicative in a very easy way. IZAR PULSE i generates pulses to manage the water volume and features fraud alarms. It can be connected to remote reading or consumption analysis systems.

IZAR PULSE i features a clamping ring for secured fixing and easy re-mounting on another meter.

### FEATURES

- Compatible with inductive modularity "Ti"
- 3 and 4-wires versions available
- Several configurations possible on request
- Flow direction management
- Tampering alarms
- Open collector output
- Available in dry-contact version, specific pulse weights and 3-output version
- Up to 15 years lifetime

## OPERATING PRINCIPLE

IZAR PULSE i is a ring equipped with a sensor based on the inductive principle and with a specific electronic system that exploits the information to be transmitted in the form of an open-collector signal (polarised).

The inductive system featured in IZAR PULSE i is actuated using a metal ½ disc located in the Diehl Metering modular register of the water meter.

## TECHNICAL DATA

IZAR PULSE i	
Cable length	1.5 m (3-wires version) / 5 m (4-wires version)*
Power supply	Lithium battery 3.6 V
Battery lifetime	Up to 15 years **
Output	Maximum current values : 50 mA   Maximum voltage values : 30V
Pulse duration	50 ... 500 ms
Pulse ratio	1:1 litre   1:10 litre   1:100 litre ***
Maximum frequency	Hz 8
Open collector output impedance	> 1MΩ
Standards	2014/30/UE Directive, CE

\* May vary by up to +/- 1.5% due to manufacturing tolerances.

\*\* Standard conditions of use and temperature. Theoretical life, with no guarantee.

\*\*\* Other values on request

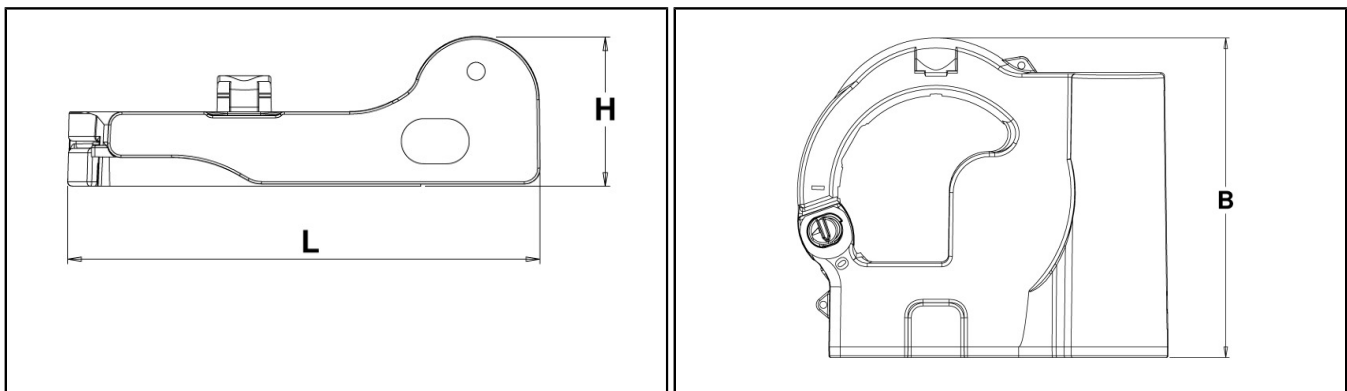
## AMBIENT CONDITIONS

IZAR PULSE i	
Operating temperatures range	°C -15 ... +55
Storage temperatures range	°C -20 ...+70
Ambient humidity	% 0 ... 100
Degree of protection	IP 68

## COMPATIBILITY

IZAR PULSE i	
Meters	Diehl Metering inductive modular range "Ha+Ti" and "Ti".

## DIMENSIONS



IZAR PULSE i			
Length	L	mm	100
Height	H	mm	33
Width	B	mm	100

## **Economic Actor Information**

Applicable regulation and legal obligations for products may change.

DIEHL METERING monitors applicable regulation to ensure their products comply at the date of placing on the market.

Each economic actor making products available on the market thereafter must independently keep informed about the current applicable regulation.

For questions, please contact: [metering-germany-info@diehl.com](mailto:metering-germany-info@diehl.com)

Diehl Metering GesmbH  
Hainburger Straße 33  
A-1030 Vienna  
Austria  
Phone: +43 (0)1 716 70-0  
Fax: +43 (0)1 716 70-12  
[metering-austria-info@diehl.com](mailto:metering-austria-info@diehl.com)  
[www.diehl.com/metering](http://www.diehl.com/metering)

**EMPOWER A  
SUSTAINABLE  
FUTURE**