

# IZAR M-BUS COMPACT I

M-BUS | M-BUS MODULE

**DIEHL**  
Metering



## APPLICATION

The new modules IZAR M-BUS COMPACT I are the center of the modular inductive concept developed by Diehl Metering. They can be clipped onto all the meters of the Diehl Metering inductive (Ti) or mixed (Ha+Ti) modular range with grey ring, making them "communicative" in a very easy way.

IZAR M-BUS COMPACT I provide informations using M-Bus protocol (EN 13757), enabling billing (index...), monitoring (flow rate, direction...) and the management/follow-up of the installation (tampering, cable cut-off and unclipping alarms ...).

It may be connected to different systems such as M-Bus or fixed networks, monitoring, or consumption-analysis systems.

IZAR M-BUS COMPACT I feature a clamping ring for totally secured mounting (sealable cam) and easy reinstallation on another meter.

## FEATURES

- ▶ Compatible with inductive modularity "Ti"
- ▶ 2 non-polarized output wires
- ▶ Flow rate direction management
- ▶ Events log and alarms available
- ▶ M-Bus compatible (EN 13757)
- ▶ IP 68
- ▶ Lifetime up to 15 years

# IZAR M-BUS COMPACT I

M-BUS | M-BUS MODULE

## PRINCIPLE

IZAR M-BUS COMPACT I	
Sensor	Inductive (Ti)
Principle	Detection of a half metal disk
Output type	M-Bus output (EN13757)

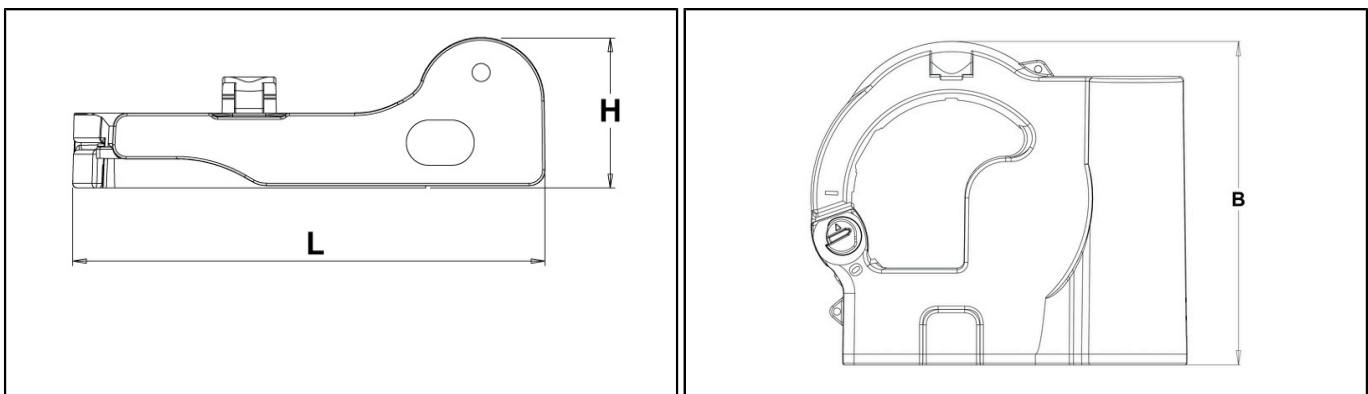
## SPECIFICATIONS

IZAR M-BUS COMPACT I	
Number of wires	2 non-polarized
Cable length	m 2
Baud rates	bauds 300 or 2,400 - automatic detection
Power supply	Via M-Bus network and lithium battery
M-Bus absorbed current	mA 1.5 (standard load)
Battery lifetime	Up to 15 years
Electromagnetic compatibility (EMC)	Complies with the European directive related to electromagnetic compatibility (2014/30/EU)
Operating temperatures range	°C -15 ... +55
Storage temperatures range	°C -20 ... +70
Protection class	IP 68
Programming software	IZAR@MOBILE 2 SET Expert
Reading software	IZAR@CENTER, IZAR@MOBILE 2 Windows SET Expert, IZAR@NET 2, IZAR PLUS PORTAL

## FUNCTIONS AND ALARMS

IZAR M-BUS COMPACT I	
Media type	Programmable identification (cold water, hot water)
Historical index	24 values (monthly, weekly, daily)
Flow rate direction	Consumed flow rate in both way
Current flow rate	With an integration period for calculation (1 ... 60 min.) and flow direction indicator
Min. max. and average flow rate	Statistical values of the minimum, maximum and average flow rates
Alarms	Low battery, unclipping, sensor fraud, backflow, over flow, under flow, early leakage detection, nil consumption, cable cut-off

## DIMENSIONS



IZAR M-BUS COMPACT I			
Length	L	mm	100
Height	H	mm	33
Width	B	mm	100