

CORONA MW

Multi-Jet Meter | Wet Runner



APPLICATION

Domestic water meter

FEATURES

Extremely low pressure loss and considerably extended measuring range
Records very small amounts of water consumption
Maximum long-term accuracy and absolutely corrosion-resistant
Measuring data better than specified by calibration regulations
Strainer insert in inlet connection for cleaning without damaging the seal
Capable of withstanding any load for a short time
Forward and return metering
Fine adjustment by regulating plug

GENERAL

Meter for horizontal pipes		
Medium temperature range	°C	0.1 ... +30
Temperature safety	°C	0.1 ... +50
Ambient operating temperature	°C	0.1 ... +55
Ambient storage temperature	°C	0.1 ... +55
Nominal pressure	PN bar	16
Display range		0,05l ... 99,999 m ³
Protection class		IP 68

TECHNICAL DATA

Nominal diameter	DN	mm	15	20	25	20	25
Permanent flow rate	Q ₃	m ³ /h	2.5	4	4	4	6.3
Overload flow rate	Q ₄	m ³ /h	3.125	5	5	5	7.87
Transitional flow rate	Q ₂	l/h	40	40	40	40	100
Minimum flow rate	Q ₁	l/h	25 ¹	25 ²	25 ²	25 ²	63 ¹
Starting flow rate		l/h	4	4	4	4	6-8
Pressure loss at Q ₃		bar	0.36	0.47	0.47	0.47	0.6
Flow rate at 1 bar pressure loss		m ³ /h	4.19	5.85	6.5	5.85	12
Nominal diameter	DN	mm	25	25	32	40	50(40 ⁵)
Permanent flow rate	Q ₃	m ³ /h	10	10	10	16	16
Overload flow rate	Q ₄	m ³ /h	12.5	12.5	12.5	20	20
Transitional flow rate	Q ₂	l/h	100	100	100	256	256
Minimum flow rate	Q ₁	l/h	62.5 ²	62.5 ²	62.5 ²	160 ¹	160 ¹
Starting flow rate		l/h	6-8	6-8	6-8	20-25	20-25
Pressure loss at Q ₃		bar	0.6	0.6	0.6	0.6	0.6
Flow rate at 1 bar pressure loss		m ³ /h	12	12	12	20	20

¹ based on R 100² based on R 160

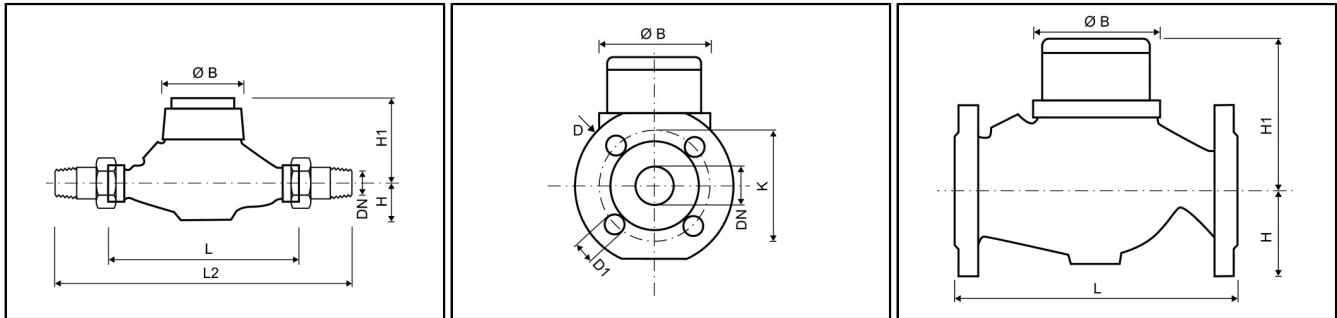
APPROVAL

Nominal diameter	DN	mm	15	20	25	20	25
Permanent flow rate	Q ₃	m ³ /h	2.5	4	4	4	6.3
MID approval number			LNE 32390	LNE 32390	LNE 32390	LNE 32390	TH-8814 / TH-8811
Approval typ name			D3	D3	D3	D3	D4 / Corona D4
Dynamic range horizontal installation (Q ₃ /Q ₁)	R		40 / 80 / 100	40 / 80 / 100 / 160	40 / 80 / 100 / 160	40 / 80 / 100 / 160	40 - 100
Dynamic range vertical installation (Q ₃ /Q ₁)	R		40	40	40	40	40

CORONA MW - MULTI-JET METER | WET RUNNER

Nominal diameter	DN	mm	25	25	32	40	50(40 ⁵)
Permanent flow rate	Q ₃	m ³ /h	10	10	10	16	16
MID approval number			TH-8814 / TH-8811	TH-8814 / TH-8811	TH-8814 / TH-8811	TH-8814 / TH-8811	TH-8814 / TH-8811
Approval typ name			D4 / Corona D4	D4 / Corona D4	D4 / Corona D4	D4 / Corona D4	D4 / Corona D4
Dynamic range horizontal installation (Q ₃ /Q ₁)	R		40 - 160	40 - 160	40 - 160	40 - 100	40 - 100
Dynamic range vertical installation (Q ₃ /Q ₁)	R		40	40	40	-	-

DIMENSIONS

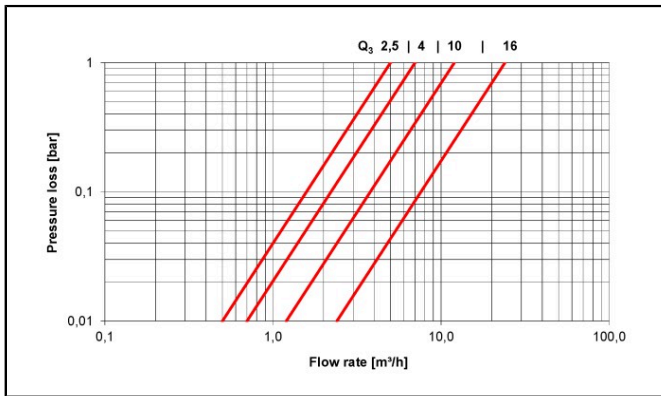


Nominal diameter	DN	mm	15	20	25	20	25
Permanent flow rate	Q ₃	m ³ /h	2.5	4	4	4	6.3
Overall length (DIN ISO 4064)	L	mm	165	190	175	165	260
Overall length with coupling ⁴	L2	mm	245	288	269	263	378
Connection thread on meter (ISO228/1)		inch	G3/4B	G1B	G11/4B	G1B	G11/4B
Connection thread of coupling (DIN 2999)		inch	R1/2	R3/4	R1	G3/4B	R1
Flange diameter	D	mm	-	-	-	-	-
Hole circle diameter	K	mm	-	-	-	-	-
Screw hole diameter	D1	mm	-	-	-	-	-
Number of screw holes			-	-	-	-	-
Height	H	mm	33	37	49	37	44
Height	H1	mm	73	73	73	73	86
Diameter	ØB	mm	95	95	98	95	104
Weight without coupling		kg	1.3	1.4	1.8	1.4	2.08

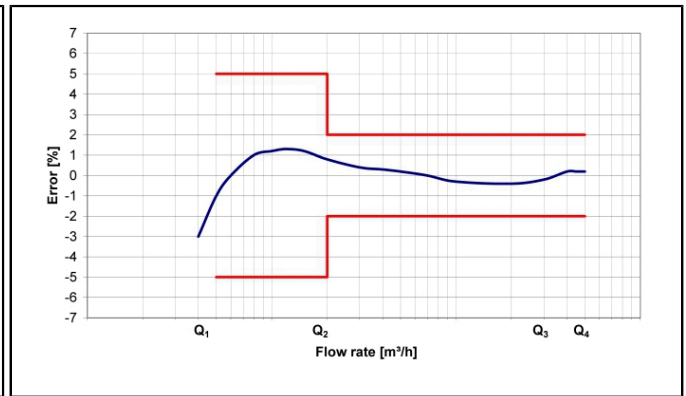
Nominal diameter	DN	mm	25	25	32	40	50(40 ⁵)
Permanent flow rate	Q ₃	m ³ /h	10	10	10	16	16
Overall length (DIN ISO 4064)	L	mm	260	175	260	300	300
Overall length with coupling ⁴	L2	mm	378	295	378	438	-
Connection thread on meter (ISO228/1)		inch	G11/4B	G5/4"	G11/2B	G2B	-
Connection thread of coupling (DIN 2999)		inch	R1	R1"	R5/4	R11/2	-
Flange diameter	D	mm	-	-	-	-	165
Hole circle diameter	K	mm	-	-	-	-	125
Screw hole diameter	D1	mm	-	-	-	-	18
Number of screw holes			-	-	-	-	4
Height	H	mm	44	50	44	46	83
Height	H1	mm	86	86	86	104	104
Diameter	ØB	mm	104	88	104	137	137
Weight without coupling		kg	2.8	2.1	3	5.4	10

⁴ depending on coupling version

PRESSURE LOSS GRAPH / TYPICAL ERROR GRAPH



Pressure loss graph



Typical error graph

GENERAL

Meter for rising pipes			
Medium temperature range	°C	0.1 ... +30	
Temperature safety	°C	0.1 ... +50	
Ambient operating temperature	°C	0.1 ... +55	
Ambient storage temperature	°C	0.1 ... +55	
Nominal pressure	PN	bar	16
Display range	0.05l ... 99,999m ³		
Protection class	IP 68		

TECHNICAL DATA

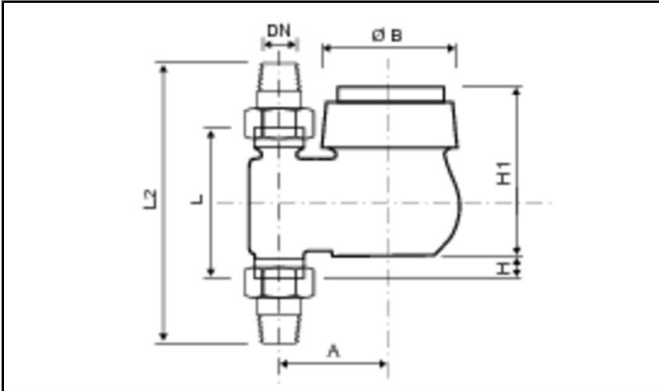
Nominal diameter	DN	mm	25	40
Permanent flow rate	Q ₃	m ³ /h	10	16
Overload flow rate	Q ₄	m ³ /h	12.5	20
Transitional flow rate	Q ₂	l/h	100	256
Minimum flow rate	Q ₁	l/h	62.5 ²	160 ¹
Starting flow rate		l/h	6-8	20-25
Pressure loss at Q ₃		bar	0.6	0.6
Flow rate at 1 bar pressure loss		m ³ /h	12	20

¹ at dynamic range R100² at dynamic range R160

APPROVAL

Nominal diameter	DN	mm	25	40
Permanent flow rate	Q ₃	m ³ /h	10	16
MID approval number			TH-8814 / TH-8811	TH-8814 / TH-8811
Approval typ name			D4 / Corona D4	D4 / Corona D4
Dynamic range horizontal installation (Q ₃ /Q ₁)	R		40 - 160	40 - 100
Dynamic range vertical installation (Q ₃ /Q ₁)	R		-	-

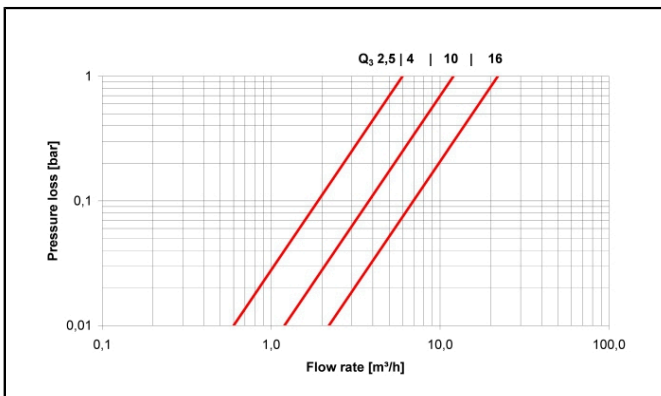
DIMENSIONS



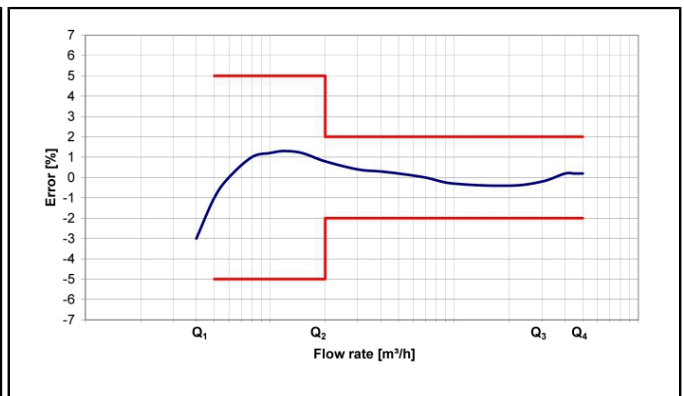
Nominal diameter	DN	mm	25	40
Permanent flow rate	Q ₃	m ³ /h	10	16
Overall length (DIN ISO 4064)	L	mm	150(135 ³)	200(150 ³)
Overall length with coupling ⁴	L2	mm	268	338
Connection thread on meter (ISO228/1)		inch	G5/4B	G2B
Connection thread of coupling (DIN 2999)		inch	R1	R1/2
Flange diameter	D	mm	-	-
Hole circle diameter	K	mm	-	-
Screw hole diameter	D1	mm	-	-
Number of screw holes			-	-
Height	H	mm	31	21
Height	H1	mm	130	147
Diameter	ØB	mm	104	136
Weight without coupling		kg	3.2	6.3

³ Special overall length on request

PRESSURE LOSS GRAPH / TYPICAL ERROR GRAPH



Pressure loss graph



Typical error graph

Economic Actor Information

Applicable regulation and legal obligations for products may change.

DIEHL METERING monitors applicable regulation to ensure their products comply at the date of placing on the market.

Each economic actor making products available on the market thereafter must independently keep informed about the current applicable regulation.

For questions, please contact: metering-germany-info@diehl.com

Diehl Metering GesmbH
Hainburger Straße 33
A-1030 Vienna
Austria
Phone: +43 (0)1 716 70-0
Fax: +43 (0)1 716 70-12
metering-austria-info@diehl.com
www.diehl.com/metering

**EMPOWER A
SUSTAINABLE
FUTURE**