

# CORONA MCI 108

MULTI-JET METER | WET RUNNER

**DIEHL**  
Metering



## APPLICATION

Domestic water meter

## FEATURES

- ▶ Modular multi-jet domestic capsule meter with inductive scanning (without magnetic influence)
- ▶ System capability, with standard applicable pulse output 1 l/pulse (inductive). CORONA MCI can be externalized in any way - with IZAR RADIO COMPACT 868 I (radio module) or IZAR PULSE I (pulse transmitter)
- ▶ Only the complete measuring insert needs to be replaced regularly at the end of the calibration period - the meter housing remains fitted in the pipeline
- ▶ With composite screw head. Advantage: lower adhesion, no deposit, lower weight
- ▶ For easier reading, the zero point of the dial can be adapted to the direction of flow by turning the measuring capsule 90° to either side during installation
- ▶ A DIN DVGW-approved non-return valve can be installed in the meter housing as option
- ▶ Mounting position - housing horizontal: horizontal (R 40 - 160) and vertical (R 40)
- ▶ Mounting position - housing rising pipe: vertical (R 40 - 160)

# CORONA MCI 108 Meter for horizontal pipes

## MULTI-JET METER | WET RUNNER

### GENERAL

Meter for horizontal pipes		
Medium temperature range	°C	1 ... 30
Temperature safety	°C	1 ... 50
Ambient operating temperature	°C	1 ... 55
Ambient storage temperature	°C	1 ... 55
Nominal pressure	PN bar	16
Display range		0.05 l ... 99,999 m <sup>3</sup>
Pulse value	l/pulse	1
Protection class		IP 68

### TECHNICAL DATA

Nominal diameter	DN	mm	15	20
Permanent flow rate	Q <sub>3</sub>	m <sup>3</sup> /h	2.5	4
Overload flow rate	Q <sub>4</sub>	m <sup>3</sup> /h	3.125	5
Transitional flow rate	Q <sub>2</sub>	l/h	40	40
Minimum flow rate	Q <sub>1</sub>	l/h	25 <sup>2</sup>	25 <sup>3</sup>
Starting flow rate		l/h	4	6
Dynamic range horizontal installation (Q <sub>3</sub> /Q <sub>1</sub> )	R		40 / 80 / 100	40 / 80 / 100 / 160
Dynamic range vertical installation (Q <sub>3</sub> /Q <sub>1</sub> )	R		-	40
Dynamic range (Q <sub>2</sub> /Q <sub>1</sub> )			1.6	1.6
Pressure loss at Q <sub>3</sub>		bar	0.45	0.6
Flow rate at 1 bar pressure loss <sup>1</sup>		m <sup>3</sup> /h	3.3	6.5

<sup>1</sup> without non-return valve

<sup>2</sup> based on R 100

<sup>3</sup> based on R 160

### APPROVAL

Meter for horizontal pipes	
MID approval	MID TH 8629

### REACH

Information pursuant to Article 33 (1) of Regulation (EC) No 1907/2006 of the European Parliament and of the Council of 18 December 2006:

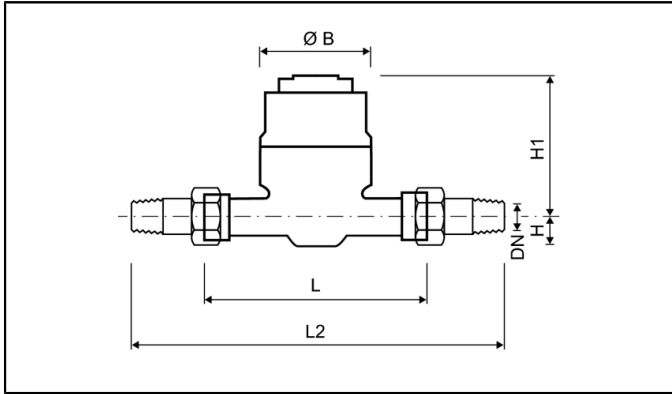
This product series contains articles with the following substances in a concentration of more than 0.1% weight by weight (w/w):

- Lead

# CORONA MCI 108 Meter for horizontal pipes

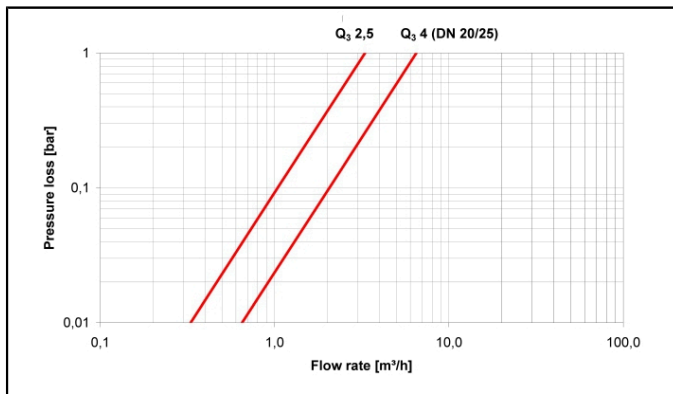
MULTI-JET METER | WET RUNNER

## DIMENSIONS

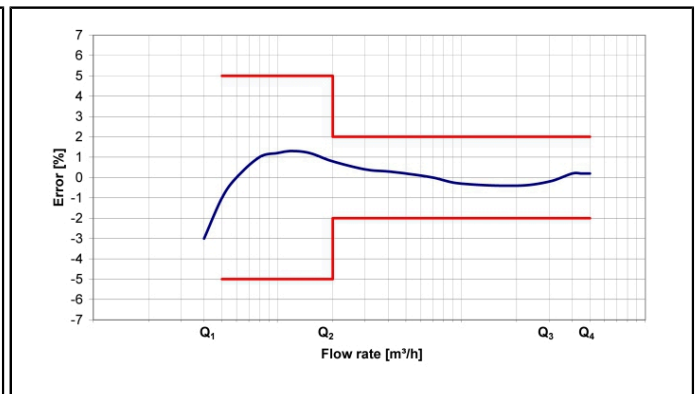


Nominal diameter	DN	mm	15	20
Permanent flow rate	$Q_3$	m <sup>3</sup> /h	2.5	4
Overall length (DIN ISO 4064)	L	mm	165 / 170	190
Overall length with coupling	L2	mm	245	288
Connection thread on meter (ISO 228/1)		Inch	G $\frac{3}{4}$ B	G1B
Connection thread of coupling (DIN 2999)		Inch	R $\frac{1}{2}$	R $\frac{3}{4}$
Height	H	mm	22	22
Height	H1	mm	117	117
Height to remove measuring insert		mm	200	200
Diameter	$\varnothing B$	mm	95	95
Width	A	mm	-	-
Weight without coupling		kg	1.15	1.2
Weight with coupling		kg	1.4	1.6

## PRESSURE LOSS GRAPH / TYPICAL ERROR GRAPH



Pressure loss graph



Typical error graph

# CORONA MCI 108 Meter for rising pipes

MULTI-JET METER | WET RUNNER

## GENERAL

Meter for rising pipes		
Medium temperature range	°C	1 ... 30
Temperature safety	°C	1 ... 50
Ambient operating temperature	°C	1 ... 55
Ambient storage temperature	°C	1 ... 55
Nominal pressure	PN bar	16
Display range		0.05 l ... 99.999 m <sup>3</sup>
Pulse value	l/pulse	1
Protection class		IP 68

## TECHNICAL DATA

Nominal diameter	DN	mm	20
Permanent flow rate	Q <sub>3</sub>	m <sup>3</sup> /h	4
Overload flow rate	Q <sub>4</sub>	m <sup>3</sup> /h	5
Transitional flow rate	Q <sub>2</sub>	l/h	40
Minimum flow rate	Q <sub>1</sub>	l/h	25 <sup>2</sup>
Starting flow rate		l/h	6
Dynamic range (Q <sub>3</sub> /Q <sub>1</sub> )	R		40 / 80 / 100 / 160
Dynamic range (Q <sub>2</sub> /Q <sub>1</sub> )			1.6
Pressure loss at Q <sub>3</sub>		bar	0.6
Flow rate at 1 bar pressure loss <sup>1</sup>		m <sup>3</sup> /h	5.8

<sup>1</sup> without non-return valve

<sup>2</sup> based on R 160

## APPROVAL

Meter for rising pipes	
MID approval	MID TH 8629

## REACH

Information pursuant to Article 33 (1) of Regulation (EC) No 1907/2006 of the European Parliament and of the Council of 18 December 2006:

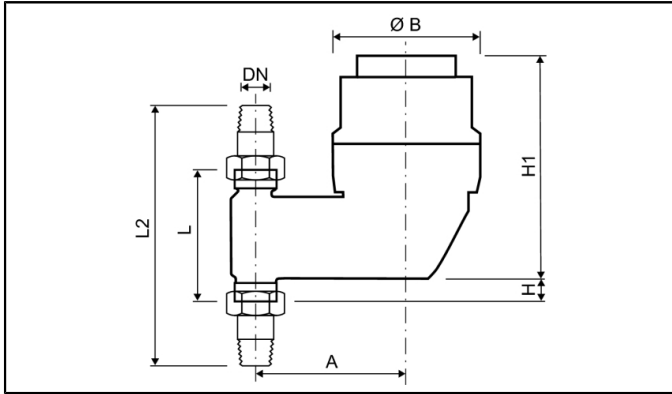
This product series contains articles with the following substances in a concentration of more than 0.1% weight by weight (w/w):

- Lead

# CORONA MCI 108 Meter for rising pipes

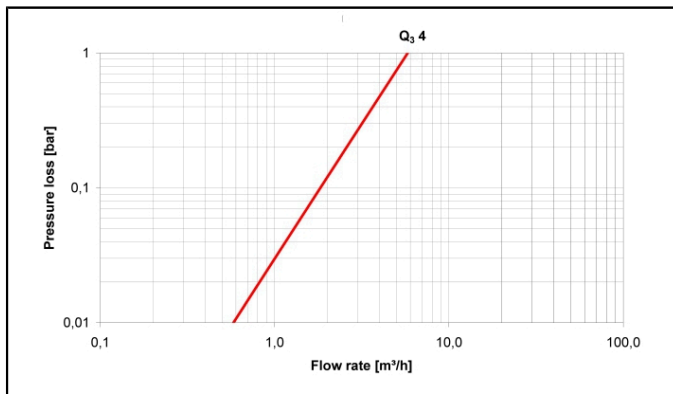
MULTI-JET METER | WET RUNNER

## DIMENSIONS

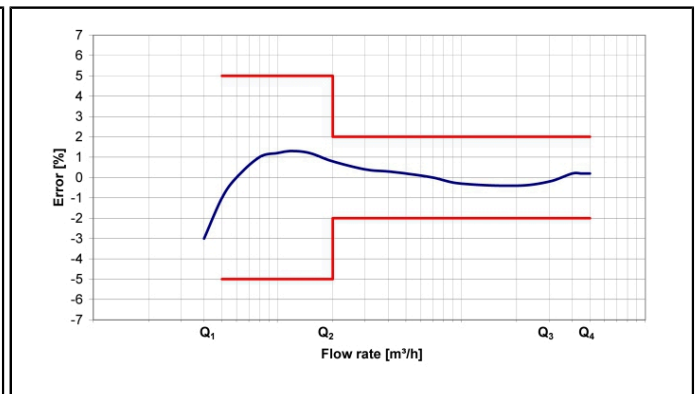


Nominal diameter	DN	mm	20
Permanent flow rate	Q <sub>3</sub>	m <sup>3</sup> /h	4
Overall length (DIN ISO 4064)	L	mm	105
Overall length with coupling	L2	mm	203
Connection thread on meter (ISO 228/1)		Inch	G1B
Connection thread of coupling (DIN 2999)		Inch	R <sup>3</sup> / <sub>4</sub>
Height	H	mm	27
Height	H1	mm	145
Height to remove measuring insert		mm	200
Diameter	Ø B	mm	95
Width	A	mm	95
Weight without coupling		kg	1.6
Weight with coupling		kg	2

## PRESSURE LOSS GRAPH / TYPICAL ERROR GRAPH



Pressure loss graph



Typical error graph