

CORONA ER (PHASED OUT)

Electronic Meter | Multi-Jet



APPLICATION

Fully electronic compact water meter with impeller scanning for recording volume. Highly accurate recording of all billing data at medium temperatures up to 90 °C.

FEATURES

- Inbuilt radio module 868 MHz
- Electronic sensor control for recording flow rate
- Lithium battery, lifetime up to 12 years
- Optical ZVEI interface equipped as standard
- Adjustable reading date for billing
- Rotatable integrator
- Single-line 7-digit display for easy meter reading

ELECTRONIC - BASIC FEATURES

CORONA ER (phased out)

Ambient class	OIML R49 class C / MID E2 + M1
Protection class	IP 54 or IP 68 for cold and warm water meter
Interfaces	Optical ZVEI, radio

Note: IZAR@SET / HYDRO-SET Software for configuration of meters, readout of measured values and printout of meter logs. Available under www.diehl.com/metering (Products - downloads)

TECHNICAL DATA DISPLAY

CORONA ER (phased out)

Display indication	LCD, 7-digit
Unit	m ³ /h - l/h - m ³ - l
Total values	99,999.99
Values displayed	Flow rate

SUPPLY VOLTAGE

CORONA ER (phased out)

Operating voltage	UN	VDC	3.0 (lithium battery)
Battery lifetime			Up to 12 years
Nominal power	PN	μW	30

INTERFACES - OVERVIEW

CORONA ER (phased out)

Optical	ZVEI interface for communication, M-Bus protocol
Radio	868 MHz, real data, Open Metering Standard

RADIO INTERFACE - SPECIFICATION

CORONA ER (phased out)

Frequency	MHz	868
Protocol		Real data, open metering
Transmission power	mW	10
Transmission interval	sec.	64
Communication		IZAR OPTO HEAD BT and HYDRO-SET or IZAR@MOBILE

GENERAL

CORONA ER		
Temperature range	°C	30 (for cold water meter) / 90 (for warm water meter)
Ambient operating temperature	°C	1 ... 55
Ambient storage temperature	°C	-20 ... 55
Nominal pressure	PN	bar 10 / 16
Mounting position		In any position, also overhead

TECHNICAL DATA

Nominal diameter	DN	mm	15	15	15	20	20	20
Permanent flow rate	Q ₃	m ³ /h	2.5	2.5	2.5	4	4	4
Overall length	L	mm	110	130	165	105	130	190
Overload flow rate	Q ₄	m ³ /h	3.125	3.125	3.125	5	5	5
Transitional flow rate	Q ₂	l/h	32	32	32	51	51	51
Minimum flow rate	Q ₁	l/h	20 ¹	20 ¹	20 ¹	32 ¹	32 ¹	32 ¹
Starting flow rate		l/h	3 - 4	3 - 4	3 - 4	5 - 6	5 - 6	5 - 6
Pressure loss at Q ₃	Δp	mbar	615	615	615	620	620	620
Flow rate at 0.1 bar pressure loss		m ³ /h	0.962	0.962	0.962	1.607	1.607	1.607

¹ at R 125

APPROVAL

Nominal diameter	DN	mm	15	15	15	20	20	20
Permanent flow rate	Q ₃	m ³ /h	2.5	2.5	2.5	4	4	4
Overall length	L	mm	110	130	165	105	130	190
MID (LNE 12552 LNE 13629) - T30			•	•	•	•	•	•
MID (DE-07-MI001-PTB008 LNE 13629) - T90			•	•	•	•	•	•
Dynamic range (Q ₃ /Q ₁)	R		80 / 100 / 125	80 / 100 / 125	80 / 100 / 125	80 / 100 / 125	80 / 100 / 125	80 / 100 / 125

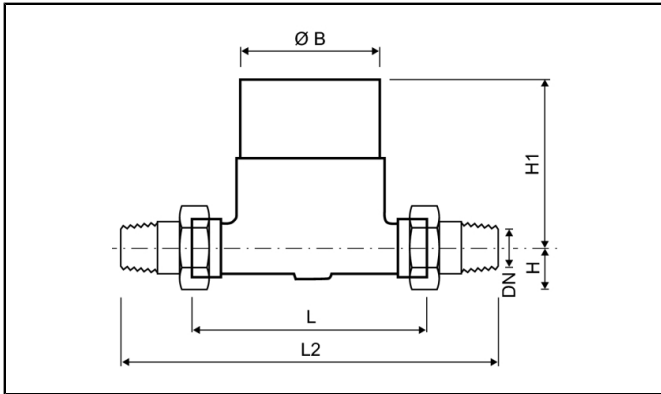
REACH

Information pursuant to Article 33 (1) of Regulation (EC) No 1907/2006 of the European Parliament and of the Council of 18 December 2006:

This product series contains articles with the following substances in a concentration of more than 0.1% weight by weight (w/w):

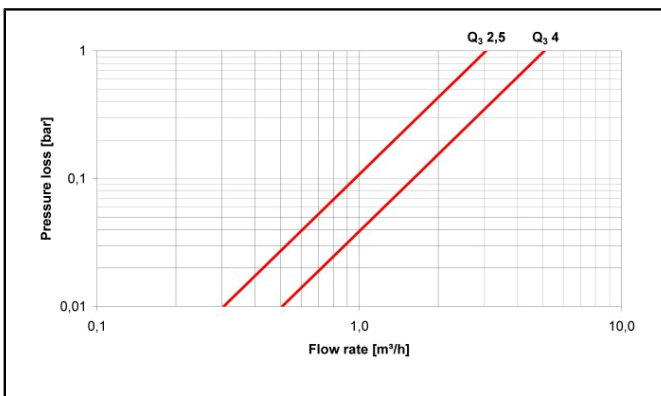
- Lead (CAS no.: 7439-92-1)
- 1,2-dimethoxyethane (CAS no.: 110-71-4)

DIMENSIONS

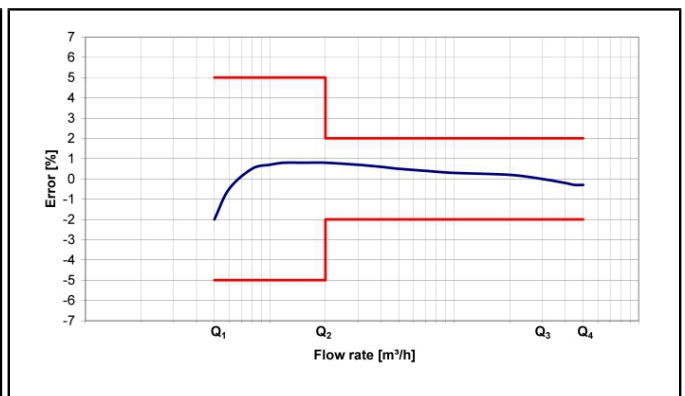


Nominal diameter	DN	mm	15	15	15	20	20	20
Permanent flow rate	Q ₃	m ³ /h	2.5	2.5	2.5	4	4	4
Overall length	L	mm	110	130	165	105	130	190
Overall length with coupling	L2	mm	186	206	241	181	206	266
Connection thread on meter		Inch	G ³ / ₄ B	G ³ / ₄ B	G ³ / ₄ B	G1B	G1B	G1B
Connection thread of coupling		Inch	R ¹ / ₂	R ¹ / ₂	R ¹ / ₂	R ³ / ₄	R ³ / ₄	R ³ / ₄
Height	H	mm	20	20	20	20	20	20
Height	H1	mm	75	75	75	75	75	75
Width	B	mm	62	62	62	62	62	62
Weight without coupling		kg	0.8	1	1.3	0.8	1	1.5
Weight with coupling		kg	1	1.2	1.5	1.3	1.5	2

PRESSURE LOSS GRAPH / TYPICAL ERROR GRAPH



Pressure loss graph



Typical error graph

Economic Actor Information

Applicable regulation and legal obligations for products may change.

DIEHL METERING monitors applicable regulation to ensure their products comply at the date of placing on the market.

Each economic actor making products available on the market thereafter must independently keep informed about the current applicable regulation.

For questions, please contact: metering-germany-info@diehl.com

Diehl Metering GesmbH
Hainburger Straße 33
A-1030 Vienna
Austria
Phone: +43 (0)1 716 70-0
Fax: +43 (0)1 716 70-12
metering-austria-info@diehl.com
www.diehl.com/metering

**EMPOWER A
SUSTAINABLE
FUTURE**