

CORONA DP 405

MULTI-JET METER | DRY RUNNER

DIEHL
Metering



APPLICATION

Contact water meter for proportional control of pumps, motors, etc.
Metering with digital preselection of quantity and remote transmission of flow rates.

FEATURES

Multi-jet impeller meter in completely dry-running design with magnetic coupling
Only the impeller operates in the wet chamber to prevent faults due to sediment
Encapsulated waterproof counter. Reading not obstructed by condensation of the transparent cover
Counter can be rotated to any position for easy reading
Built-in pulse contact (with cable 2 m) cast in a waterproof enclosure and easily replaceable
Max. contact load 24 V (SELV) 0.2 A
The outlet is prepared for installing a non-return valve (DVGW approved)

CORONA DP 405 Meter for horizontal pipes

MULTI-JET METER | DRY RUNNER

GENERAL

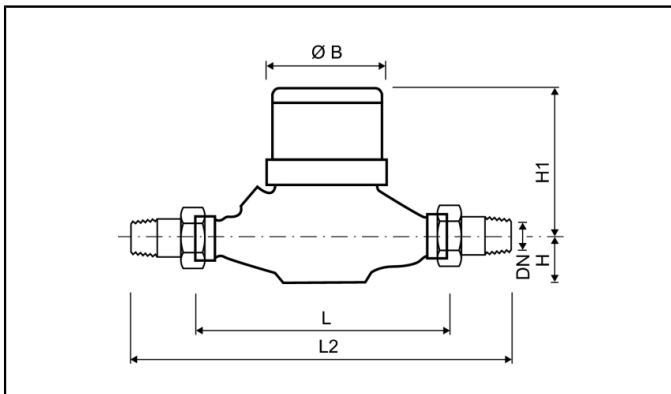
		Meter for horizontal pipes	
Medium temperature range	°C	0 ... 30	
Temperature safety	°C	0 ... 90	
Ambient storage temperature	°C	0 ... 55	
Nominal pressure	PN bar	16	
Display range		0.05 l ... 99,999 m ³	
Pulse value*	l/pulse	0.25, 0.5, 1, 2.5, 10, 100, 1000	
Protection class		IP 65	

* Reed switch with luster terminal available.

TECHNICAL DATA

Nominal diameter	DN	mm	20	25	25	25	40
Nominal flow rate	Q _n	m ³ /h	2.5	2.5	6	6	10
Overall length (DIN ISO 4064)	L	mm	190	175	175	260	300
Maximum flow rate (short-term)	Q _{max}	m ³ /h	5	5	12	12	20
Transition flow rate	Q _t	l/h	250	250	600	600	1000
Minimum flow rate	Q _{min}	l/h	100	100	240	240	400
Starting flow rate		l/h	20-25	20-25	40-50	40-50	60-70
Flow rate at 1 bar pressure loss		m ³ /h	7	7	12	12	24

DIMENSIONS

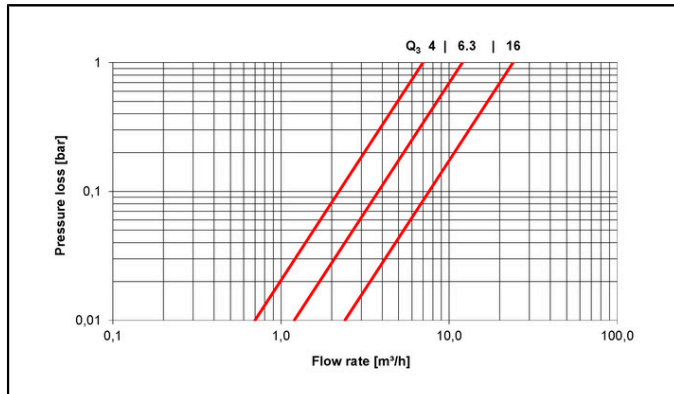


Nominal diameter	DN	mm	20	25	25	25	40
Nominal flow rate	Q _n	m ³ /h	2.5	2.5	6	6	10
Overall length (DIN ISO 4064)	L	mm	190	175	175	260	300
Overall length with coupling	L2	mm	288	275	275	378	438
Connection thread on meter (ISO 228/1)		Inch	G1B	G1¼B	G1¼B	G1¼B	G2B
Connection thread of coupling (DIN 2999)		Inch	R¾	R1	R1	R1	R1½
Height	H	mm	35	45	45	45	50
Height	H1	mm	120	125	125	125	140
Diameter	Ø B	mm	96	102	102	102	137
Weight without coupling		kg	1.7	2.5	2.5	2.5	4.7
Weight with coupling		kg	2.1	3.1	3.1	3.1	5.9

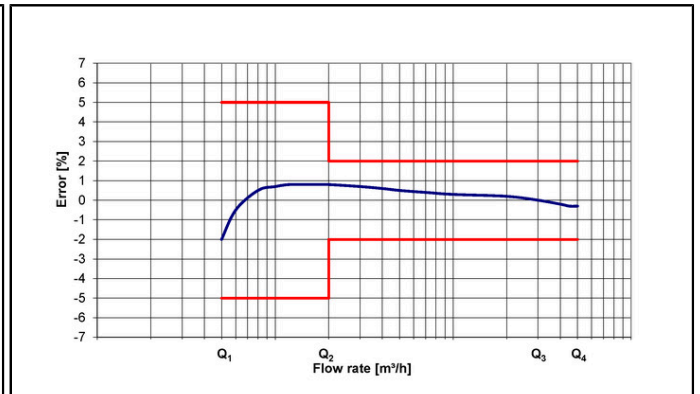
CORONA DP 405 Meter for horizontal pipes

MULTI-JET METER | DRY RUNNER

PRESSURE LOSS GRAPH / TYPICAL ERROR GRAPH



Pressure loss graph



Typical error graph

CORONA DP 405 Meter for rising pipes

MULTI-JET METER | DRY RUNNER

GENERAL

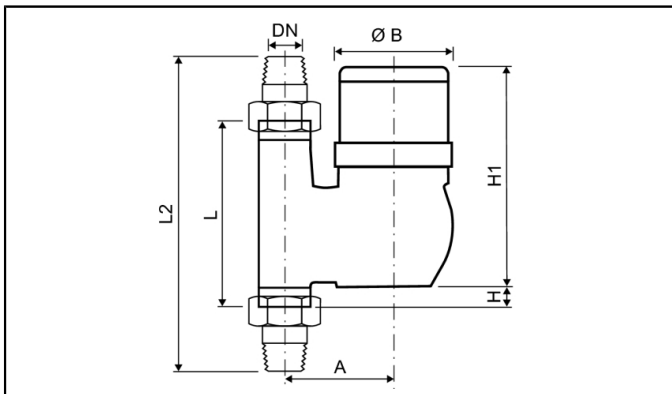
		Meter for rising pipes	
Medium temperature range	°C	0 ... 30	
Temperature safety	°C	0 ... 90	
Ambient storage temperature	°C	0 ... 55	
Nominal pressure	PN bar	16	
Display range		0.05 l ... 99,999 m ³	
Pulse value*	l/pulse	0.25, 0.5, 1, 2.5, 10, 100, 1000	
Protection class		IP 65	

* Reed switch with luster terminal available.

TECHNICAL DATA

Nominal diameter	DN	mm	20	25	40
Nominal flow rate	Q _n	m ³ /h	2.5	6	10
Overall length (DIN ISO 4064)	L	mm	105	150	200
Maximum flow rate (short-term)	Q _{max}	m ³ /h	5	12	20
Transition flow rate	Q _t	l/h	250	600	1000
Minimum flow rate	Q _{min}	l/h	100	240	400
Starting flow rate		l/h	20-25	40-50	60-70
Flow rate at 1 bar pressure loss		m ³ /h	6	12	22

DIMENSIONS

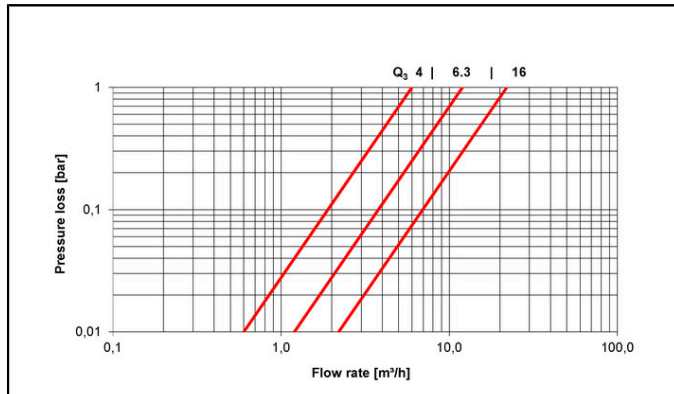


Nominal diameter	DN	mm	20	25	40
Nominal flow rate	Q _n	m ³ /h	2.5	6	10
Overall length (DIN ISO 4064)	L	mm	105	150	200
Overall length with coupling	L2	mm	203	268	338
Connection thread on meter (ISO 228/1)		Inch	G1B	G1¼B	G2B
Connection thread of coupling (DIN 2999)		Inch	R¾	R1	R1½
Height	H	mm	15	32	22
Height	H1	mm	154	165	177
Diameter	Ø B	mm	96	102	136
Width	A	mm	82	95	120
Weight without coupling		kg	2.1	3.1	5.5
Weight with coupling		kg	2.5	3.7	6.7

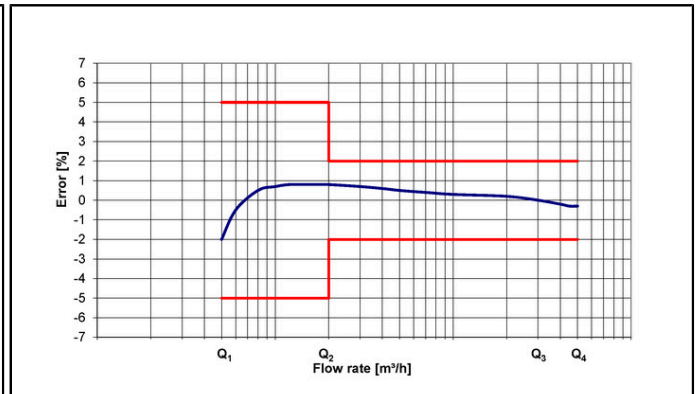
CORONA DP 405 Meter for rising pipes

MULTI-JET METER | DRY RUNNER

PRESSURE LOSS GRAPH / TYPICAL ERROR GRAPH



Pressure loss graph



Typical error graph