

CORONA DP 405

MULTI-JET METER | DRY RUNNER



APPLICATION

Contact water meter for proportional control of pumps, motors, etc. and for remote transmission of flow rates.

FEATURES

- Multi-jet impeller meter in completely dry-running design with magnetic coupling
- Only the impeller operates in the wet chamber to prevent faults due to sediment
- Counter can be rotated to any position for easy reading
- Built-in pulse contact (with cable 2 m) cast in a waterproof enclosure and easily replaceable
- Max. contact load 24 V (SELV) 0.2 A
- The outlet is prepared for installing a non-return valve (DVGW approved)
- Special version hard nickel-plated available

GENERAL

Meter for horizontal pipes			
Medium temperature range	°C	1 ... 30	
Temperature safety	°C	1 ... 90	
Ambient storage temperature	°C	1 ... 55	
Nominal pressure	PN	bar	16
Display range	0.05 l ... 99,999 m ³		
Pulse value	l/pulse	0.25 ¹ , 0.5 ¹ , 1, 2.5, 10, 100 ² , 1000 ²	
Pulse transmitter	Reed switch sealed (opener)		
Max. contact load	V	24 (without contact protection device)	
Max. contact load	A	0.2 (without contact protection device)	
Protection class	IP 65		

¹ not available for DN 40² with MID approval only 100 or 1000 l/pulse

TECHNICAL DATA

Nominal diameter	DN	mm	20	25 ³	25 ³	25	40
Permanent flow rate	Q ₃	m ³ /h	4	4	6.3	6.3	16
Overall length (DIN ISO 4064)	L	mm	190	175	175	260	300
Overload flow rate	Q ₄	m ³ /h	5	5	7.88	7.88	20
Transitional flow rate	Q ₂	l/h	160	160	253	253	640
Minimum flow rate	Q ₁	l/h	100	100	158	158	400
Starting flow rate		l/h	20-25	20-25	40-50	40-50	60-70
Flow rate at 1 bar pressure loss		m ³ /h	7	7	12	12	24

³ only without MID approval

APPROVAL

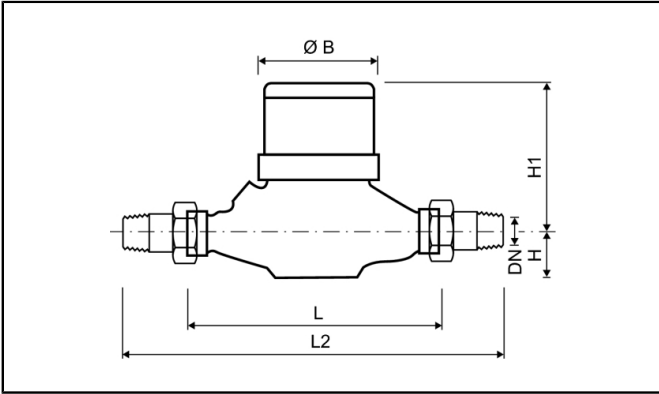
Meter for horizontal pipes			
MID	DE-16-MI001-PTB012		
Dynamic range (Q ₃ /Q ₁)	R	40 H	
Potable water	KTW / W270		

REACH

Information pursuant to Article 33 (1) of Regulation (EC) No 1907/2006 of the European Parliament and of the Council of 18 December 2006:

This product series contains articles with the following substances in a concentration of more than 0.1% weight by weight (w/w):
 - Lead (CAS no.: 7439-92-1)

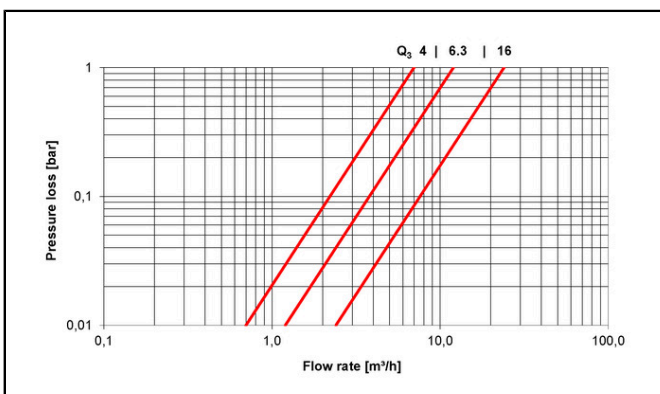
DIMENSIONS



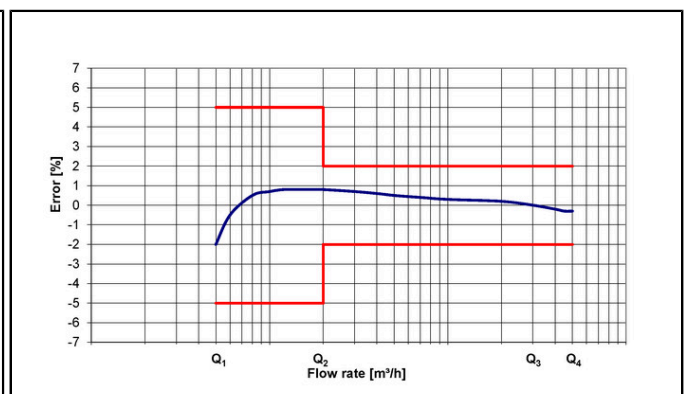
Nominal diameter	DN	mm	20	25 ³	25 ³	25	40
Permanent flow rate	Q ₃	m ³ /h	4	4	6.3	6.3	16
Overall length (DIN ISO 4064)	L	mm	190	175	175	260	300
Overall length with coupling	L2	mm	288	275	275	378	438
Connection thread on meter (ISO 228/1)		Inch	G1B	G1¼B	G1¼B	G1¼B	G2B
Connection thread of coupling (DIN 2999)		Inch	R¾	R1	R1	R1	R1½
Height	H	mm	35	45	45	45	50
Height	H1	mm	120	125	125	125	140
Diameter	Ø B	mm	96	102	102	102	137
Weight without coupling		kg	1.7	2.5	2.5	2.5	4.7
Weight with coupling		kg	2.1	3.1	3.1	3.1	5.9

³ only without MID approval

PRESSURE LOSS GRAPH / TYPICAL ERROR GRAPH



Pressure loss graph



Typical error graph

GENERAL

Meter for rising pipes			
Medium temperature range	°C	1 ... 30	
Temperature safety	°C	1 ... 90	
Ambient storage temperature	°C	1 ... 55	
Nominal pressure	PN	bar	16
Display range	0.05 l ... 99,999 m ³		
Pulse value	l/pulse	0.25 ¹ , 0.5 ¹ , 1, 2.5, 10, 100, 1000	
Protection class	IP 65		

¹ not available for DN 40
Note: only without MID approval

TECHNICAL DATA

Nominal diameter	DN	mm	20	25	40
Permanent flow rate	Q ₃	m ³ /h	4	6.3	16
Overall length (DIN ISO 4064)	L	mm	105	150	200
Overload flow rate	Q ₄	m ³ /h	5	7.88	20
Transitional flow rate	Q ₂	l/h	160	253	640
Minimum flow rate	Q ₁	l/h	100	158	400
Starting flow rate		l/h	20-25	40-50	60-70
Flow rate at 1 bar pressure loss		m ³ /h	6	12	22

APPROVAL

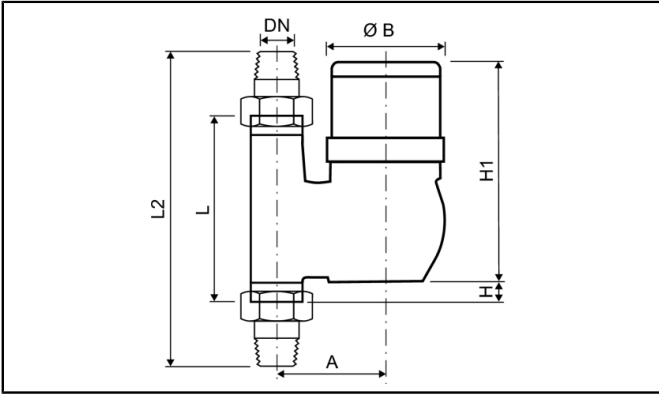
Meter for rising pipes			
MID		-	
Dynamic range (Q ₃ /Q ₁)	R	40 H	
Potable water		KTW / W270	

REACH

Information pursuant to Article 33 (1) of Regulation (EC) No 1907/2006 of the European Parliament and of the Council of 18 December 2006:

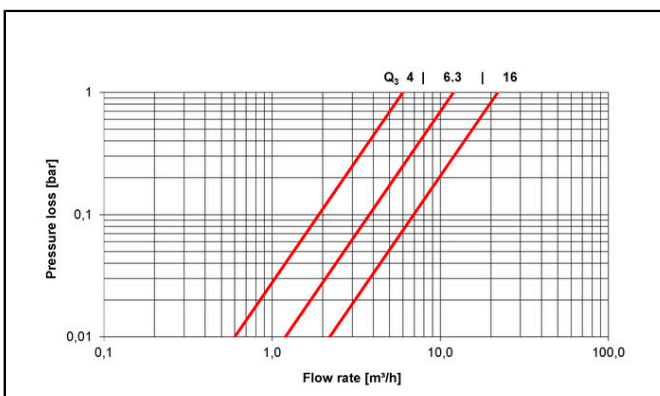
This product series contains articles with the following substances in a concentration of more than 0.1% weight by weight (w/w):
 - Lead (CAS no.: 7439-92-1)

DIMENSIONS

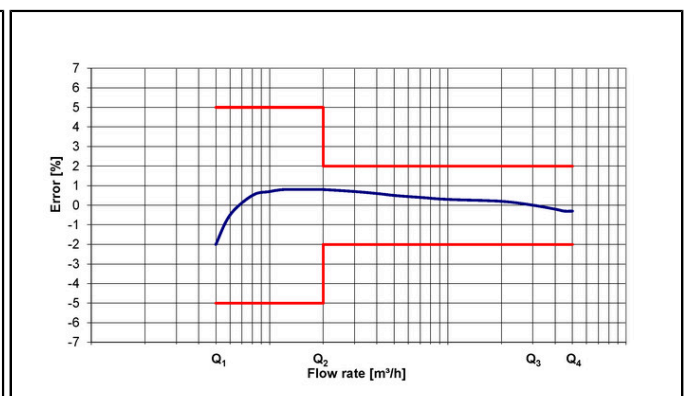


Nominal diameter	DN	mm	20	25	40
Permanent flow rate	Q ₃	m ³ /h	4	6.3	16
Overall length (DIN ISO 4064)	L	mm	105	150	200
Overall length with coupling	L2	mm	203	268	338
Connection thread on meter (ISO 228/1)		Inch	G1B	G1¼B	G2B
Connection thread of coupling (DIN 2999)		Inch	R¾	R1	R1½
Height	H	mm	15	32	22
Height	H1	mm	154	165	177
Diameter	Ø B	mm	96	102	136
Width	A	mm	82	95	120
Weight without coupling		kg	2.1	3.1	5.5
Weight with coupling		kg	2.5	3.7	6.7

PRESSURE LOSS GRAPH / TYPICAL ERROR GRAPH



Pressure loss graph



Typical error graph

Economic Actor Information

Applicable regulation and legal obligations for products may change.

DIEHL METERING monitors applicable regulation to ensure their products comply at the date of placing on the market.

Each economic actor making products available on the market thereafter must independently keep informed about the current applicable regulation.

For questions, please contact: metering-germany-info@diehl.com

Diehl Metering (Jinan) Co., Ltd.
F1-F2, Building 11, Jinan Diya
Shuangchuang Industrial Park
2566 Shijidadao
Jinan Innovation Zone, Jinan, Shandong
Phone: +86 531 5882 0999
Fax: +86 531 5882 0998
metering-china-sales@diehl.com
www.diehl.com/metering

**EMPOWER A
SUSTAINABLE
FUTURE**