

CORONA 101/102

MULTI-JET METER | WET RUNNER

DIEHL
Metering



APPLICATION

Domestic water meter

FEATURES

- ▶ Extremely low pressure loss and considerably extended measuring range
- ▶ Records very small amounts of water consumption
- ▶ Maximum long-term accuracy and absolutely corrosion-resistant
- ▶ Measuring data better than specified by calibration regulations
- ▶ Strainer insert in inlet connection for cleaning without damaging the seal
- ▶ Capable of withstanding any load for a short time
- ▶ Forward and return metering
- ▶ Fine adjustment by regulating plug

CORONA 101/102 Meter for horizontal pipes 101

MULTI-JET METER | WET RUNNER

GENERAL

Meter for horizontal pipes 101		
Medium temperature range	°C	1 ... 30
Temperature safety	°C	1 ... 50
Ambient operating temperature	°C	1 ... 55
Ambient storage temperature	°C	1 ... 55
Nominal pressure	PN bar	16
Display range		0.05 l ... 999,999 m ³
Protection class		IP 68

TECHNICAL DATA

Nominal diameter	DN	mm	20 ¹	25 ²	40 ²
Permanent flow rate	Q ₃	m ³ /h	4	10	16
Overload flow rate	Q ₄	m ³ /h	5	12.5	20
Transitional flow rate	Q ₂	l/h	40	160	256
Minimum flow rate	Q ₁	l/h	25	100	160
Starting flow rate		l/h	4-6	6-8	20-25
Pressure loss at Q ₃		bar	0.6	0.6	0.6

¹ at dynamic range R 160

² at dynamic range R 100

APPROVAL

Nominal diameter	DN	mm	20 ¹	25 ²	40 ²
Permanent flow rate	Q ₃	m ³ /h	4	10	16
MID			TH 8540	CH-MI001-11047	CH-MI001-11047
Dynamic range horizontal installation (Q ₃ /Q ₁)	R		40 / 80 / 160	50 / 80 / 100	50 / 80 / 100

REACH

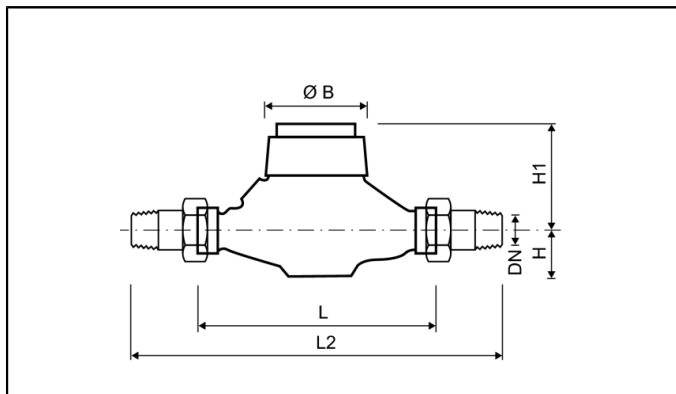
Information pursuant to Article 33 (1) of Regulation (EC) No 1907/2006 of the European Parliament and of the Council of 18 December 2006:

This product series contains components with the following substances in a concentration of more than 0.1% weight by weight (w/w):
 - Lead (CAS no.: 7439-92-1)

CORONA 101/102 Meter for horizontal pipes 101

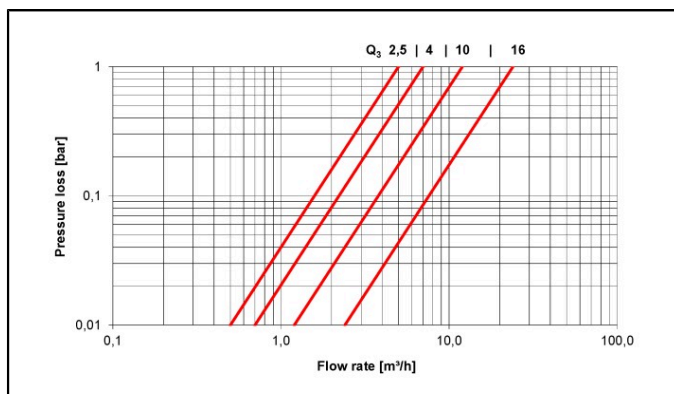
MULTI-JET METER | WET RUNNER

DIMENSIONS

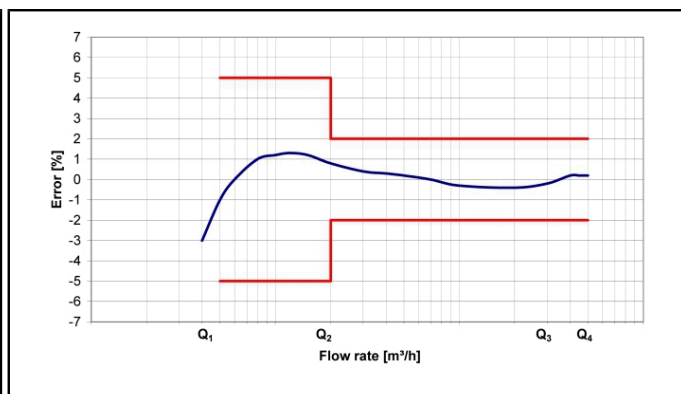


Nominal diameter	DN	mm	20 ¹	25 ²	40 ²
Permanent flow rate	Q ₃	m ³ /h	4	10	16
Overall length (DIN ISO 4064)	L	mm	190	260	300
Overall length with coupling	L2	mm	288	378	438
Connection thread on meter (ISO 228/1)		Inch	G1B	G1¼B	G2B
Connection thread of coupling (DIN 2999)		Inch	R¾	R1	R1½
Height	H	mm	41	44	46
Height	H1	mm	79	86	104
Diameter	Ø B	mm	98	104	137
Weight without coupling		kg	1.8	2.8	5.4

PRESSURE LOSS GRAPH / TYPICAL ERROR GRAPH



Pressure loss graph



Typical error graph

CORONA 101/102 Meter for rising pipes 102

MULTI-JET METER | WET RUNNER

GENERAL

Meter for rising pipes 102		
Medium temperature range	°C	1 ... 30
Temperature safety	°C	1 ... 50
Ambient operating temperature	°C	1 ... 55
Ambient storage temperature	°C	1 ... 55
Nominal pressure	PN bar	16
Display range		0.05 l ... 999,999 m ³
Protection class		IP 68

TECHNICAL DATA

Nominal diameter	DN	mm	20	25	40
Permanent flow rate	Q ₃	m ³ /h	4	10	16
Overload flow rate	Q ₄	m ³ /h	5	12.5	20
Transitional flow rate	Q ₂	l/h	40	160	256
Minimum flow rate	Q ₁	l/h	25	100	160
Starting flow rate		l/h	4-6	6-8	20-25
Pressure loss at Q ₃		bar	0.6	0.6	0.6

APPROVAL

Nominal diameter	DN	mm	20	25	40
Permanent flow rate	Q ₃	m ³ /h	4	10	16
MID			TH 8540	CH-MI001-11047	CH-MI001-11047
Dynamic range horizontal installation (Q ₃ /Q ₁)	R		40 / 80 / 160	80	80

REACH

Information pursuant to Article 33 (1) of Regulation (EC) No 1907/2006 of the European Parliament and of the Council of 18 December 2006:

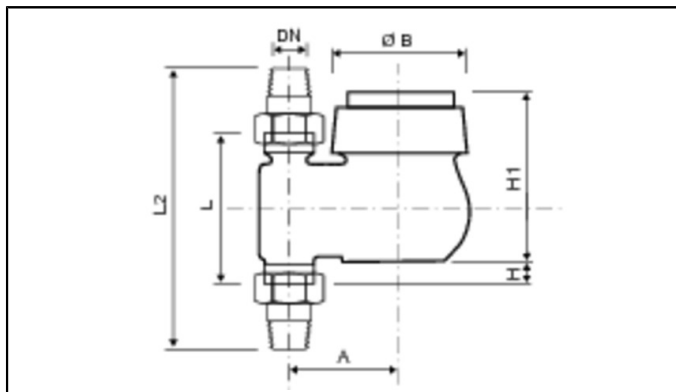
This product series contains components with the following substances in a concentration of more than 0.1% weight by weight (w/w):

- Lead (CAS no.: 7439-92-1)

CORONA 101/102 Meter for rising pipes 102

MULTI-JET METER | WET RUNNER

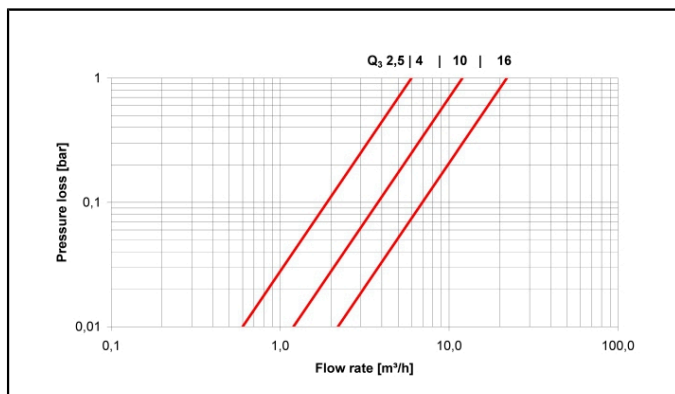
DIMENSIONS



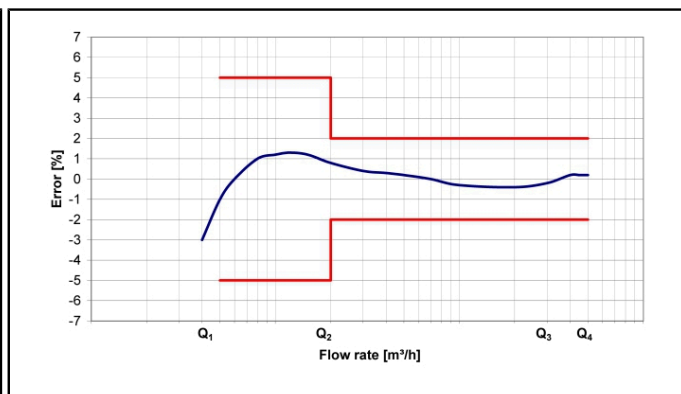
Nominal diameter	DN	mm	20	25	40
Permanent flow rate	Q ₃	m ³ /h	4	10	16
Overall length (DIN ISO 4064)	L	mm	105	150 (135)*	200 (150)*
Overall length with coupling	L2	mm	203	268 (253)	338 (288)
Connection thread on meter (ISO 228/1)		Inch	G1B	G1¼B	G2B
Connection thread of coupling (DIN 2999)		Inch	R¾	R1	R1½
Height	H	mm	18	31	21
Height	H1	mm	118	130	147
Diameter	Ø B	mm	98	101	136
Width	A	mm	82	95	120
Weight without coupling		kg	1.9	3.2	6.3

* Special overall length on request

PRESSURE LOSS GRAPH / TYPICAL ERROR GRAPH



Pressure loss graph



Typical error graph