

AURIGA DN25/32/40

SINGLE-JET METER

DIEHL
Metering



APPLICATION

AURIGA DN25/32/40 is a single jet water meter designed for main metering market. Robust, it is particularly suitable for demanding installation conditions and sediment laden waters.

Developed within the framework of the MID, AURIGA complies with the European regulations and holds sanitary conformity certificates.

Being modular, AURIGA can be fitted at any time with an IZAR clip-on module converting it into a communicating meter ready for mobile reading (walk-by, drive-by, passive drive-by) or fixed network reading (radio/wired).

FEATURES

- ▶ DN25/32/40
- ▶ $Q_3=6.3\text{m}^3/\text{h}$ (DN25) / $Q_3=10\text{m}^3/\text{h}$ (DN32) / $Q_3=16\text{m}^3/\text{h}$ (DN40)
- ▶ MID approval up to R=200H & R=80V
- ▶ Starting flow rate: 9 l/h (DN25) / 15 l/h (DN32) / 25 l/h (DN40)
- ▶ Brass body
- ▶ High resistance to demanding water conditions (sand)
- ▶ Compact and modular

AURIGA DN25/32/40

SINGLE-JET METER

METROLOGICAL DATA

Nominal diameter	DN	mm	25	32	40
Length	L	mm	260	260	300
Nominal flowrate	Q ₃	m ³ /h	6.3	10	16
R standard*	Q ₃ /Q ₁		160H-80V	160H-80V	160H-80V
Starting flowrate horizontal		l/h	9	15	25
Minimum flowrate horizontal	Q ₁	l/h	39.375	62.5	100
Transition flowrate horizontal	Q ₂	l/h	63	100	160
Minimum flowrate vertical	Q ₁	l/h	78.8	125	200
Transition flowrate vertical	Q ₂	l/h	126	200	320
Maximum flowrate	Q ₄	m ³ /h	7.875	12.5	20
Head loss at Q ₃		bar	0.42	0.60	0.63
Head loss at Q ₄		bar	0.66	0.94	0.99
Kvs (deltaP=Q ² /Kvs ²)			9.66	12.88	20.07

* other values on request. H=horizontal installation position / V=vertical installation position

APPROVAL

	AURIGA DN25/32/40
MID approval	LNE-30014 B2 type
Standards	EN 14154 ISO 4064 OIML R49
Sanitary conformity	ACS BELGAQUA KIWA KTW PZH

REACH

Information pursuant to Article 33 (1) of Regulation (EC) No 1907/2006 of the European Parliament and of the Council of 18 December 2006:

This product series contains articles with the following substances in a concentration of more than 0.1% weight by weight (w/w):

- Lead (CAS no.: 7439-92-1)

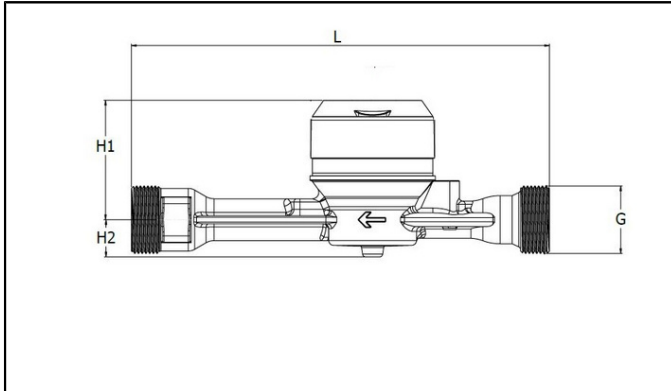
TEMPERATURE AND PRESSURE

	AURIGA DN25/32/40
Water temperature	°C 0.1 ... +50
Ambient operating temperature	°C +1 ... +55
Storage temperature	°C -10 ... +55
Nominal pressure	PN bar 16

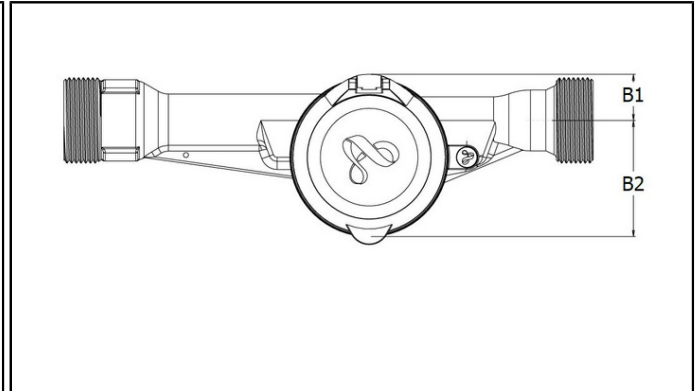
AURIGA DN25/32/40

SINGLE-JET METER

DIMENSIONS



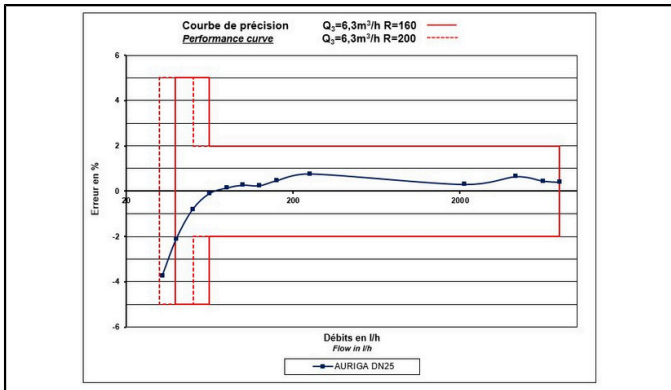
Side view



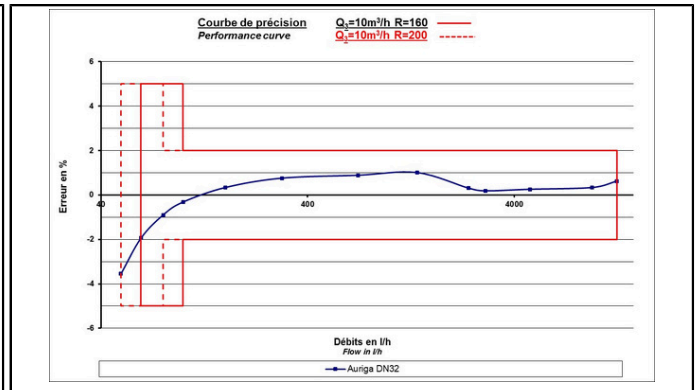
Top view

Nominal diameter	DN	mm	25	32	40
Length	L	mm	260	260	300
Width	B1	mm	22.7	23.9	29.8
Width	B2	mm	57.1	57.1	57.1
Height	H1	mm	74.2	80.7	80.7
Height	H2	mm	23.1	29.7	29.8
Thread connections	G	inch	1"1/4	1"1/2	2"
Body			brass	brass	brass
Weight		kg	1.4	1.65	2.2

PERFORMANCE CURVE DN25/32

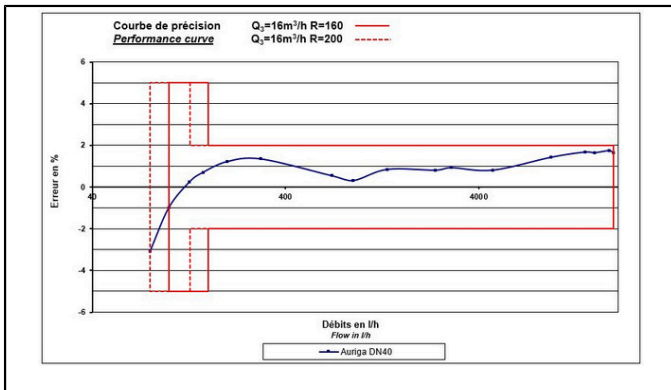


DN25



DN32

PERFORMANCE CURVE DN40



DN40

AURIGA DN25/32/40

SINGLE-JET METER

OPTION

- Non-return valve