

AURIGA DN15/20

Single-Jet Meter

DIEHL
Metering



APPLICATION

AURIGA DN15/20 is a single-jet water meter designed for measuring cold water in main metering market. Robust, it is particularly suitable for demanding installation conditions and sediment laden waters.

Developed within the framework of the MID, AURIGA complies with the European regulations and holds sanitary conformity certificates.

Modular, AURIGA can be fitted at any time with an IZAR clip-on module converting it into a communicating meter ready for mobile reading (walk-by, drive-by, passive drive-by) or fixed network reading (radio/wired).

FEATURES

- ▶ DN15/20
- ▶ $Q_3=2.5\text{m}^3/\text{h}$ (DN15) / $Q_3=4\text{m}^3/\text{h}$ (DN20)
- ▶ MID / OIML approvals up to R=160H & R=63V
- ▶ Starting flow rate: 6 l/h (DN15) / 8 l/h (DN20)
- ▶ Brass or composite body
- ▶ High resistance to demanding water conditions (sand, iron)
- ▶ Compact and modular

AURIGA DN15/20

Single-Jet Meter

METROLOGICAL DATA

Nominal diameter	DN	mm	15	15	15	15	15	20
Length	L	mm	110	110	115	115	165/170	190
R standard*	Q ₃ /Q ₁		160H-63V	160H-63V	160H-63V	160H-63V	160H-63V	160H-63V
Body			brass	composite	brass	composite	brass	brass
Nominal flowrate	Q ₃	m ³ /h	2.5	2.5	2.5	2.5	2.5	4
Starting flowrate horizontal		l/h	8	6	8	6	8	8
Minimum flowrate horizontal	Q ₁	l/h	15.625	15.625	15.625	15.625	15.625	25
Transition flowrate horizontal	Q ₂	l/h	25	25	25	25	25	40
Minimum flowrate vertical	Q ₁	l/h	39.7	39.7	39.7	39.7	39.7	63.5
Transition flowrate vertical	Q ₂	l/h	63.5	63.5	63.5	63.5	63.5	101.6
Maximum flowrate	Q ₄	m ³ /h	3.125	3.125	3.125	3.125	3.125	5
Head loss at Q ₃		bar	0.62	0.62	0.62	0.62	0.62	0.58
Head loss at Q ₄		bar	0.98	0.98	0.98	0.98	0.96	0.91
kvs (deltaP=Q ² /Kvs ²)			3.15	3.15	3.15	3.15	3.15	5.25

*Other values on request - H=horizontal installation position / V=vertical installation position

APPROVAL

AURIGA DN15/20	
MID approval	LNE-30014 Type B2
Standards	ISO 4064-1-2014 OIML R49-1-2013
Sanitary conformity	ACS BELGAQUA KIWA PZH

REACH

Information pursuant to Article 33 (1) of Regulation (EC) No 1907/2006 of the European Parliament and of the Council of 18 December 2006:

This product series contains articles with the following substances in a concentration of more than 0.1% weight by weight (w/w):

- Lead (CAS no.: 7439-92-1)

TEMPERATURE AND PRESSURE

AURIGA DN15/20	
Water temperature	°C +0.1 ... +50
Ambient operating temperature	°C +1 ... +55
Storage temperature	°C -10 ... +55
Nominal pressure	bar 16

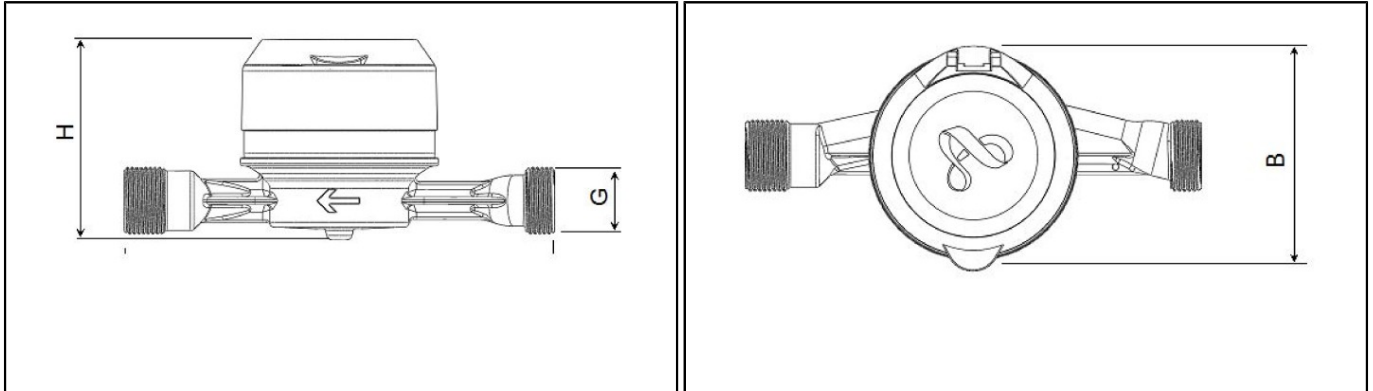
OPTIONS

- Pair of connectors
- Non-return valve

AURIGA DN15/20

Single-Jet Meter

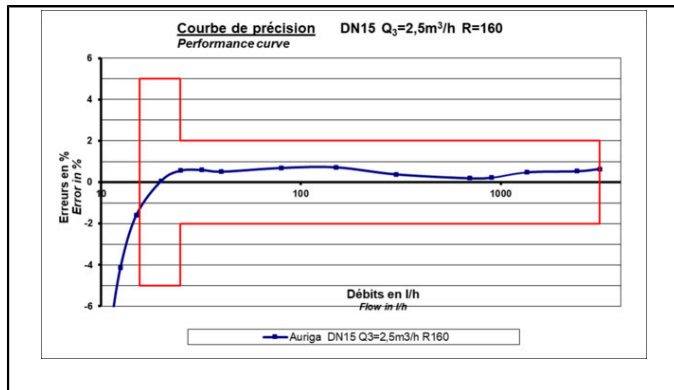
DIMENSIONS



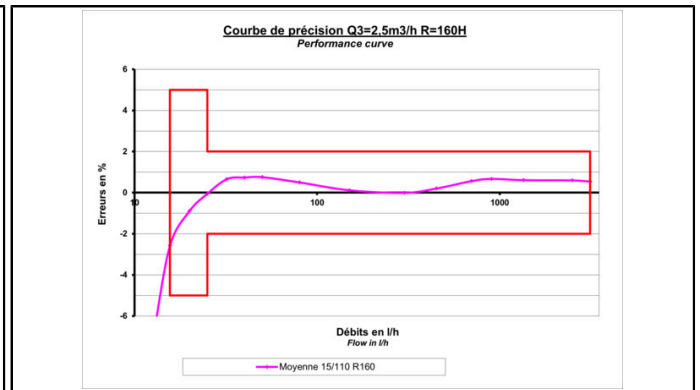
Nominal diameter	DN	mm	15	15	15	15	15	20
Length	L	mm	110	110	115	115	165/170	190
R standard*	Q ₃ /Q ₁		160H-63V	160H-63V	160H-63V	160H-63V	160H-63V	160H-63V
Body			brass	composite	brass	composite	brass	brass
Width	B	mm	73	77	73	73	73	90
Height	H	mm	79	79	79	79	75	80
Thread connections	G	inch	3/4"	3/4"	3/4" 7/8"	3/4" 7/8"	3/4"	1"
Weight		kg	0.49	0.25	0.5	0.25	0.53	0.73

*Other values on request

PRECISION CURVES - DN15



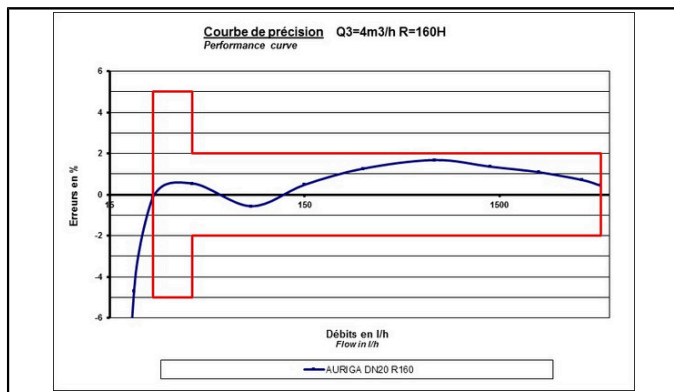
DN15 - brass



DN15 - composite

This technology does not require straight length.

PRECISION CURVES - DN20



DN20 - brass

This technology does not require straight length.