

# ARIES IS

## Single-Jet Meter

# DIEHL

Metering



### APPLICATION

ARIES IS is a single jet water meter specifically designed for submetering market. It is characterised by its accurate metering capability, its ruggedness and versatility.

Its integrated radio module enables remote reading of the index and alarms of the meter in mobile mode (walk-by) or fixed network.

Developed within the framework of the MID, ARIES IS complies with the European regulations and holds sanitary conformity certificates.

### FEATURES

- ▶ DN 15
- ▶ Q3=2.5 m<sup>3</sup>/h
- ▶ MID approval up to R=125H and R=63V
- ▶ Starting flow rate: 6 l/h
- ▶ Brass body
- ▶ Cold and hot water
- ▶ IZAR integrated 868 MHz and 434 MHz radio, PRIOS protocol
- ▶ Battery lifetime up to 10 years
- ▶ IP54: not suitable for wet environment

# ARIES IS

## Single-Jet Meter

### METROLOGICAL DATA

Nominal diameter	DN	mm	15	15	15
Length	L	mm	80	110	110
Nominal flowrate	Q <sub>3</sub>	m <sup>3</sup> /h	2.5	1.6	2.5
Body			brass	brass	brass
R standard*	Q <sub>3</sub> /Q <sub>1</sub>		80H-40V	125H-50V	125H-63V
Starting flowrate horizontal		l/h	12	6	6
Minimum flowrate horizontal	Q <sub>1</sub>	l/h	31	12.8	20
Transition flowrate horizontal	Q <sub>2</sub>	l/h	50	20.5	32
Minimum flowrate vertical	Q <sub>1</sub>	l/h	61.5	32	39.7
Transition flowrate vertical	Q <sub>2</sub>	l/h	100	51.2	63.5
Maximum flowrate	Q <sub>4</sub>	m <sup>3</sup> /h	3.125	2	3.125
Head loss at Q <sub>3</sub>		bar	0.56	0.59	0.59
Head loss at Q <sub>4</sub>		bar	0.88	0.92	0.93
Kvs (deltaP=Q <sup>2</sup> /Kvs <sup>2</sup> )			3.34	2.09	3.25

\* other values on request - H=horizontal installation position / V=vertical installation position

### APPROVAL

ARIES IS	
MID approval	LNE-30014   B2 type
Sanitary conformity	ACS   WRAS   PZH
Standards	ISO 4064   EN 14154   OIML R49

### REACH

Information pursuant to Article 33 (1) of Regulation (EC) No 1907/2006 of the European Parliament and of the Council of 18 December 2006:

This product series contains articles with the following substances in a concentration of more than 0.1% weight by weight (w/w):

- Lead (CAS no.: 7439-92-1)

### TEMPERATURE AND PRESSURE

ARIES IS	
Water temperature	°C +0.1 ... +50   +0.1 ... +90
Operating ambient temperature	°C +5 ... +50
Storage temperature	°C -20 ... +55
Nominal pressure	bar 16
Degree of protection	IP 54

### TECHNICAL DATA IZAR INTEGRATED RADIO

ARIES IS	
Communication protocol	PRIOS
Frequency	MHz 868.95 (R3 mode) and 434.47 (R3 mode)**
Sending interval	Every 32 seconds
Standards	EN 300 220, CE, RED directive, EN 13757-3/-4
Transmission power	mW 16
Transmission mode	Unidirectional
Radio range	Up to 500 m depending on the environment
Power supply	3 V lithium battery
Typical battery lifetime	Up to 10 years*
Integrated functions	Current index   Historical index value   Remaining battery lifetime
Alarms management	Leak detection   Meter stopped   Overflow   Underflow   Backflow   Magnetic detection***

\* Under standard conditions of use and temperature. Theoretical lifetime, not guaranteed.

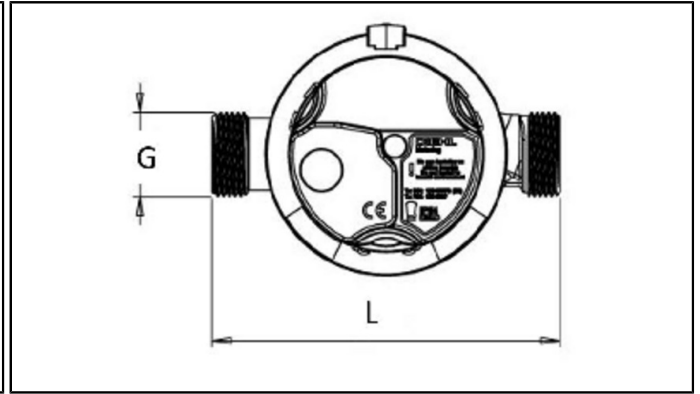
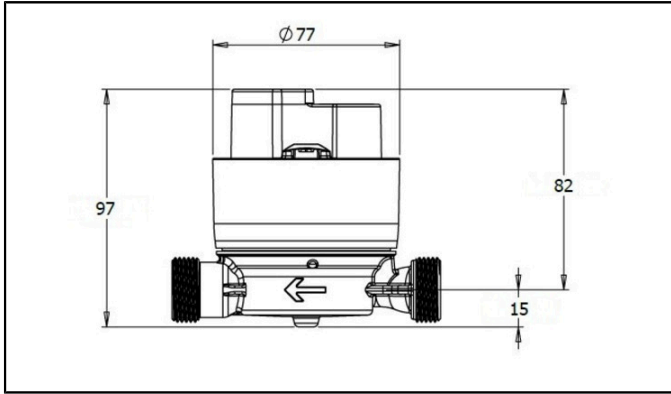
\*\* 434 MHz available for DN15/110 Q3=2.5. Other variants on demand.

\*\*\* optional function (not standard)  
Diehl Engineering GmbH · Wien · Austria  
Phone: +43 (0)1 716 70-0 · Fax: +43 (0)1 716 70-12 · metering-austria-info@diehl.com · www.diehl.com/metering  
Subject to technical adjustments

# ARIES IS

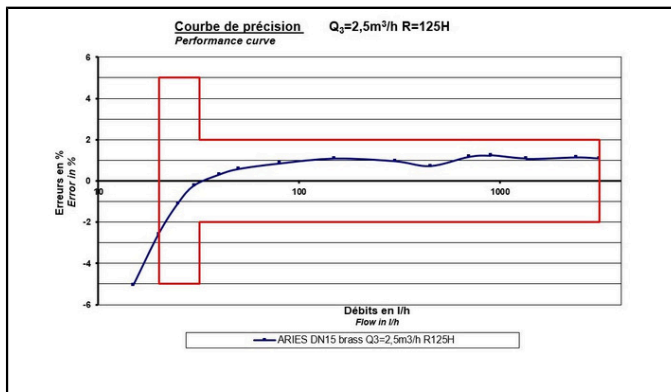
Single-Jet Meter

## DIMENSIONS



Nominal diameter	DN	mm	15	15	15
Length	L	mm	80	110	110
Nominal flowrate	Q <sub>3</sub>	m <sup>3</sup> /h	2.5	1.6	2.5
Body			brass	brass	brass
Width		mm	77	77	77
Height		mm	97	97	97
Thread connections	G	inch	3/4"	3/4"	3/4"
Weight		kg	0.37	0.45	0.45

## PRECISION CURVE



DN15 brass - Q3=2.5 R=125H

This technology doesn't require straight length.

## OPTIONS

- Tamper-proof ring
- Non-return valve that entirely fits into the body