

# AQUILA DN15

## SINGLE-JET METER

**DIEHL**  
Metering



### APPLICATION

AQUILA is a single jet meter specifically designed for measuring cold water in main metering market.

AQUILA is characterised by its accurate metering capability, particularly with low flow rates, its ruggedness and its resistance to clogging. Its profiled inlet nozzle makes it immune to disturbances in the piping before or after the meter. Developed within the framework of the MID, AQUILA complies with the European regulations and holds a sanitary conformity certificate.

Modular, AQUILA may be fitted at any time with an IZAR clip-on module, converting it into a communicating meter ready for mobile or fixed (radio/wired) network reading.

### FEATURES

- ▶ DN 15
- ▶ Q3=2.5 m<sup>3</sup>/h
- ▶ MID approval up to R=200H & R=40V
- ▶ Starting flow rate: < 6 l/h
- ▶ Cold water
- ▶ Composite body
- ▶ Integrated plastic inlet filter
- ▶ Tamper-proof ring

# AQUILA DN15

## SINGLE-JET METER

### METROLOGICAL DATA

Nominal diameter	DN	mm	15	15
Length	L	mm	110	115
Nominal flowrate	Q <sub>3</sub>	m <sup>3</sup> /h	2.5	2.5
R standard*	Q <sub>3</sub> /Q <sub>1</sub>		200H-40V	200H-40V
Starting flowrate horizontal		l/h	< 6	< 6
Minimum flowrate horizontal	Q <sub>1</sub>	l/h	12.5	12.5
Transition flowrate horizontal	Q <sub>2</sub>	l/h	20	20
Minimum flowrate vertical	Q <sub>1</sub>	l/h	62.5	62.5
Transition flowrate vertical	Q <sub>2</sub>	l/h	100	100
Maximum flowrate	Q <sub>4</sub>	m <sup>3</sup> /h	3.125	3.125
Head loss at Q <sub>3</sub>		bar	0.61	0.61
Head loss at Q <sub>4</sub>		bar	0.95	0.95
Kvs (deltaP=Q <sup>2</sup> /Kvs <sup>2</sup> )			3.201	3.201

\* other values on request - H=horizontal installation position / V=vertical installation position.

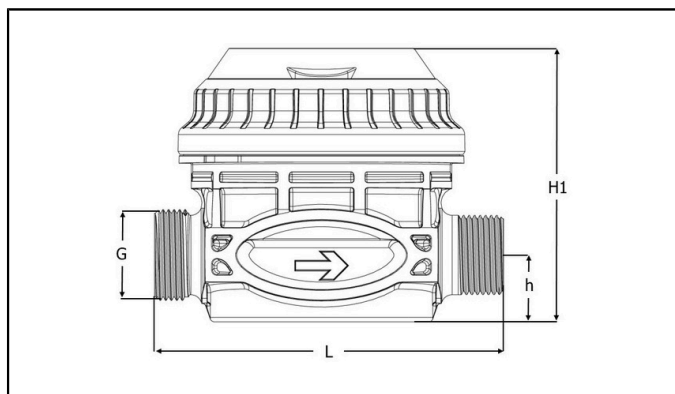
### APPROVAL

AQUILA DN15	
MID approval	LNE-29388   C3 type
Standards	EN 14154   ISO 4064   OIML R49
Sanitary conformity	ACS

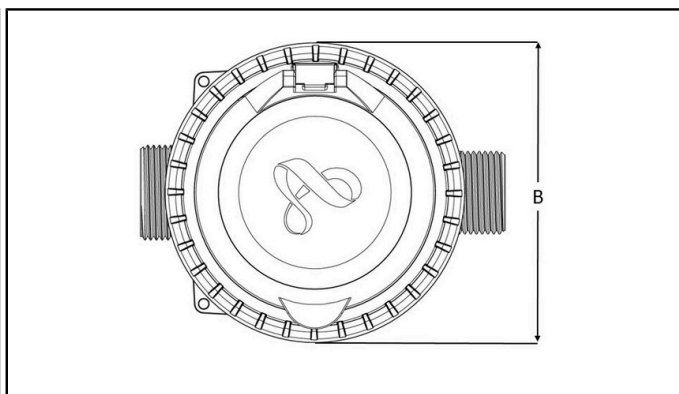
### TEMPERATURE AND PRESSURE

AQUILA DN15			
Water temperature	°C	+0.1 ... +50	
Ambient operating temperature	°C	+1 ... +55	
Storage temperature	°C	-10 ... +55	
Nominal pressure	PN	bar	16

### DIMENSIONS



AQUILA DN15 - side view



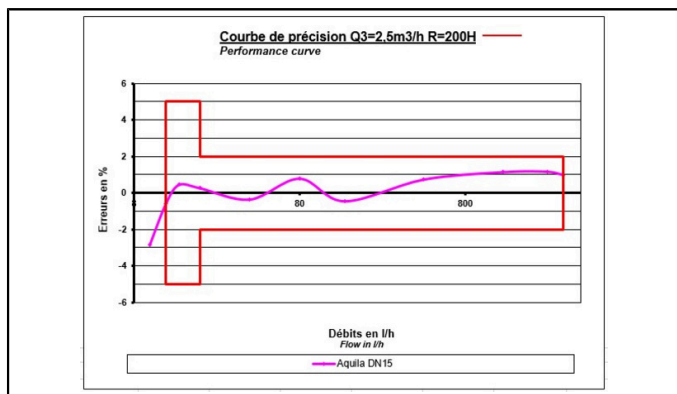
AQUILA DN15 - top view

Nominal diameter	DN	mm	15	15
Length	L	mm	110	115
Width	B	mm	94	94
Total height	H1	mm	92	92
Height	h	mm	22	22
Thread connections	G	inch	3/4"	3/4" - 7/8"
Body			composite	composite
Weight		kg	0.430	0.430

# AQUILA DN15

SINGLE-JET METER

## PRECISION CURVE



This technology doesn't require any straight length.

## OPTION

- Non-return valve