

# ALTAIR V5 DN20

## VOLUMETRIC METER

**DIEHL**  
Metering



### APPLICATION

ALTAIR V5 represents the latest generation of volumetric meters developed within the framework of the MID and European standards to meet field requirements. ALTAIR V5 is a particularly compact and robust meter, adapting to the most restrictive environments and compatible with varying water qualities. Modular, ALTAIR V5 can be fitted at any time an IZAR clip-on module converting it into a communicating meter, ready for mobile or fixed network (radio/wired) reading.

### FEATURES

- ▶ DN20
- ▶ Q3=4m<sup>3</sup>/h / Q3=2.5m<sup>3</sup>/h
- ▶ MID approval up to R=630
- ▶ Starting flowrate at 0.5 l/h
- ▶ Brass version
- ▶ High dynamic range
- ▶ Installation in any position

# ALTAIR V5 DN20

## VOLUMETRIC METER

### METROLOGICAL DATA

Nominal diameter	DN	mm	20	20	20
Nominal flow rate	Q <sub>3</sub>	m <sup>3</sup> /h	2.5	4	4
Length*	L	mm	165	165	190
R standard*	Q <sub>3</sub> /Q <sub>1</sub>		160	160	160
Starting flow rate		l/h	0.5	0.5	0.5
Minimum flow rate*	Q <sub>1</sub>	l/h	15.62	25	25
Transition flow rate*	Q <sub>2</sub>	l/h	25	40	40
Maximum flow rate	Q <sub>4</sub>	m <sup>3</sup> /h	3.125	5	5
Head loss at Q <sub>3</sub>		bar	0.22	0.57	0.56
Head loss at Q <sub>4</sub>		bar	0.35	0.86	0.87
kvs (deltaP=Q <sup>2</sup> /Kvs <sup>2</sup> )			5.31	5.31	5.35

\* Other values on request

### APPROVAL

	DN20
MID approval	LNE - 39018   Type A3
Standards	ISO 4064   EN 14154   OIML R49
Sanitary conformity	ACS   AoC DEU   DM 174   PZH

### REACH

Information pursuant to Article 33 (1) of Regulation (EC) No 1907/2006 of the European Parliament and of the Council of 18 December 2006 :

This product series contains components with the following substances in a concentration of more than 0.1% weight by weight (w/w) :

- Lead (CAS no.: 7439-92-1)

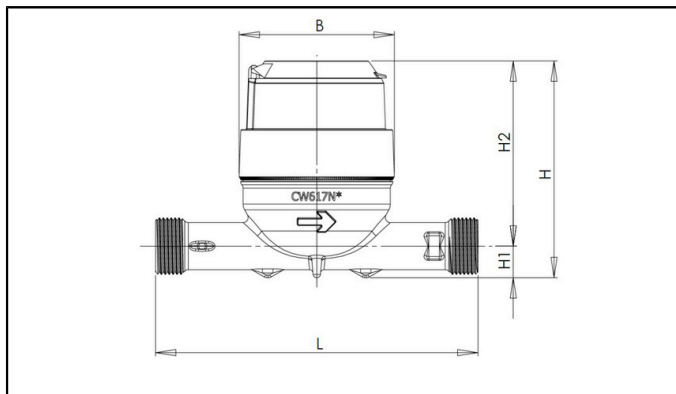
### TEMPERATURES AND PRESSURE

		DN20
Water temperature	°C	0.1 ... +50
Ambient operating temperature	°C	+1 ... +55
Storage temperature	°C	-10 ... +55
Nominal pressure	PN	bar 16

# ALTAIR V5 DN20

## VOLUMETRIC METER

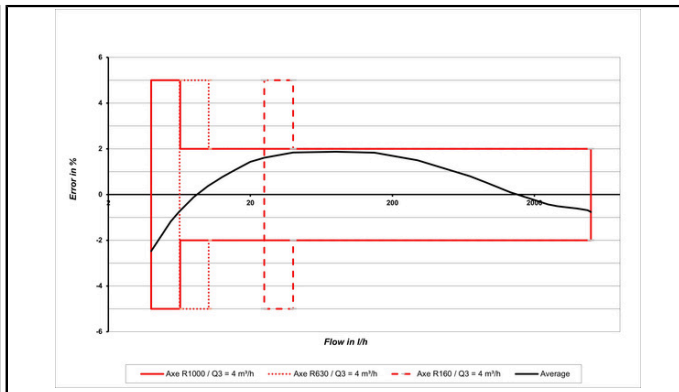
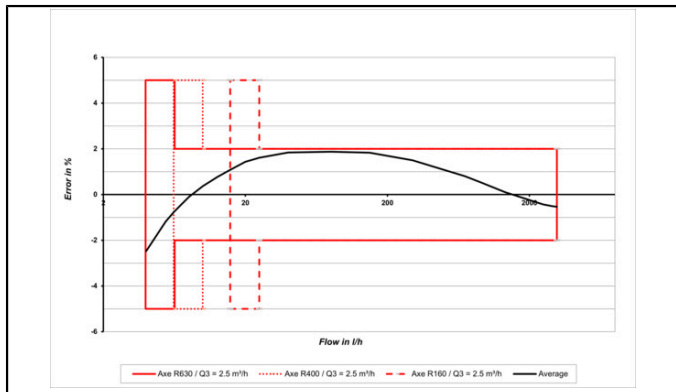
### DIMENSIONS



DN20

Nominal diameter	DN	mm	20	20	20
Nominal flow rate	Q <sub>3</sub>	m <sup>3</sup> /h	2.5	4	4
Length*	L	mm	165	165	190
Housing			brass	brass	brass
Width	B	mm	91.3	91.3	91.3
Height	H	mm	124.4	124.4	124.4
Height	H1	mm	18.5	18.5	18.5
Height	H2	mm	105.9	105.9	105.9
Thread connections		inch	1"	1"	1"
Weight		kg	0.955	0.955	1.035

### PRECISION CURVE



DN20

This technology does not require straight length.

### OPTIONS

Non-return valve | Pair of connectors | Glass/metal register