

ALTAIR V5 DN20

VOLUMETRIC METER

DIEHL
Metering



APPLICATION

ALTAIR V5 represents the latest generation of volumetric meters developed within the framework of the MID and European standards to meet field requirements. ALTAIR V5 is a particularly compact and robust meter, adapting to the most restrictive environments and compatible with varying water qualities. Modular, ALTAIR V5 can be fitted at any time an IZAR clip-on module converting it into a communicating meter, ready for mobile or fixed network (radio/wired) reading.

FEATURES

- ▶ DN20
- ▶ Q3=4m³/h / Q3=2.5m³/h
- ▶ MID approval up to R=630
- ▶ Starting flowrate at 0.5 l/h
- ▶ Brass version
- ▶ High dynamic range
- ▶ Installation in any position

ALTAIR V5 DN20

VOLUMETRIC METER

METROLOGICAL DATA

Nominal diameter	DN	mm	20	20	20
Nominal flow rate	Q ₃	m ³ /h	2.5	4	4
Length*	L	mm	165	165	190
R standard*	Q ₃ /Q ₁		160	160	160
Starting flow rate		l/h	0.5	0.5	0.5
Minimum flow rate*	Q ₁	l/h	15.62	25	25
Transition flow rate*	Q ₂	l/h	25	40	40
Maximum flow rate	Q ₄	m ³ /h	3.125	5	5
Head loss at Q ₃		bar	0.22	0.57	0.56
Head loss at Q ₄		bar	0.35	0.86	0.87
kvs (deltaP=Q ² /Kvs ²)			5.31	5.31	5.35

* Other values on request

APPROVAL

	DN20
MID approval	LNE - 39018 Type A3
Standards	ISO 4064 EN 14154 OIML R49
Sanitary conformity	ACS KTW DM 174 PZH

REACH

Information pursuant to Article 33 (1) of Regulation (EC) No 1907/2006 of the European Parliament and of the Council of 18 December 2006 :

This product series contains components with the following substances in a concentration of more than 0.1% weight by weight (w/w) :

- Lead (CAS no.: 7439-92-1)

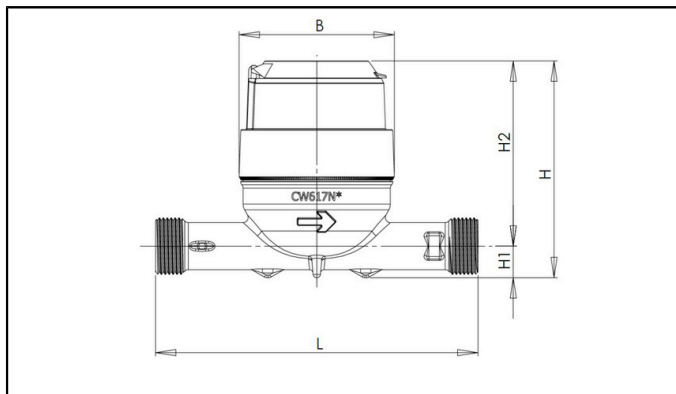
TEMPERATURES AND PRESSURE

		DN20
Water temperature	°C	0.1 ... +50
Ambient operating temperature	°C	+1 ... +55
Storage temperature	°C	-10 ... +55
Nominal pressure	PN	bar 16

ALTAIR V5 DN20

VOLUMETRIC METER

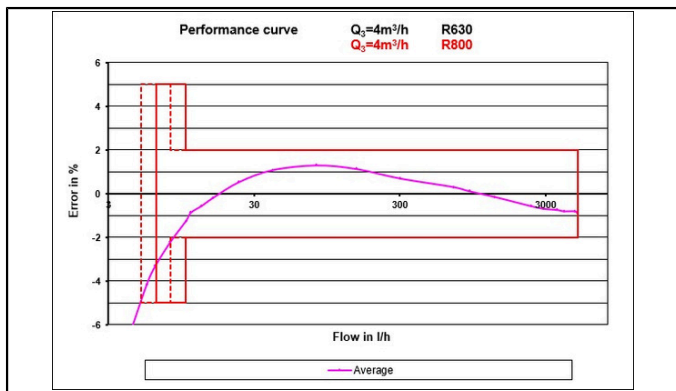
DIMENSIONS



DN20

Nominal diameter	DN	mm	20	20	20
Nominal flow rate	Q ₃	m ³ /h	2.5	4	4
Length*	L	mm	165	165	190
Housing			brass	brass	brass
Width	B	mm	91.3	91.3	91.3
Height	H	mm	124.4	124.4	124.4
Height	H1	mm	18.5	18.5	18.5
Height	H2	mm	105.9	105.9	105.9
Thread connections		inch	1"	1"	1"
Weight		kg	0.955	0.955	1.035

PRECISION CURVE



DN20

This technology does not require straight length.

OPTIONS

Non-return valve | Pair of connectors | Glass/metal register