

ALTAIR V4 HOT WATER

VOLUMETRIC METER

DIEHL
Metering



APPLICATION

ALTAIR V4 HOT WATER is the latest generation of volumetric meter designed to measure the consumption of domestic hot water.

Compact and robust, ALTAIR V4 HOT WATER is easy to install and perfectly suited for varying water qualities. It is also insensitive to magnetic fraud.

Developed within the framework of the MID, it complies with the European regulations and holds sanitary conformity certificates.

Modular, ALTAIR V4 HOT WATER can be fitted at any time with an IZAR clip-on module converting it into a communicating meter, ready for mobile reading (walk-by, drive-by, passive drive-by) or fixed network reading (radio/wired).

FEATURES

- ▶ DN15
- ▶ $Q3=1.6 \text{ m}^3/\text{h}$ / $Q3=2.5 \text{ m}^3/\text{h}$
- ▶ MID approval up to $R=400$
- ▶ Starting flow rate: 1 l/h
- ▶ Water temperature from 30°C to 90°C
- ▶ Brass body
- ▶ Installation in any position

ALTAIR V4 HOT WATER

VOLUMETRIC METER

METROLOGICAL DATA

Nominal diameter	DN	mm	15	15
Length	L	mm	110	110
Nominal flow rate	Q ₃	m ³ /h	1.6	2.5
R standard*	Q ₃ /Q ₁		100	160
Starting flow rate		l/h	1	1
Minimum flow rate	Q ₁	l/h	16	15.62
Transition flow rate	Q ₂	l/h	25.6	25
Maximum flow rate	Q ₄	m ³ /h	2	3.125
Head loss at Q ₃		bar	0.22	0.54
Head loss at Q ₄		bar	0.34	0.85
kvs (deltaP=Q ² /Kvs ²)			3.38	3.38

* Other values on request

APPROVAL

ALTAIR V4 HOT WATER	
MID approval	LNE-6250 Type A2
Standards	EN 14154 ISO 4064 OIML R49
Sanitary conformity	ACS WRAS

REACH

Information pursuant to Article 33 (1) of Regulation (EC) No 1907/2006 of the European Parliament and of the Council of 18 December 2006:

This product series contains articles with the following substances in a concentration of more than 0.1% weight by weight (w/w):

- Lead (CAS no.: 7439-92-1)

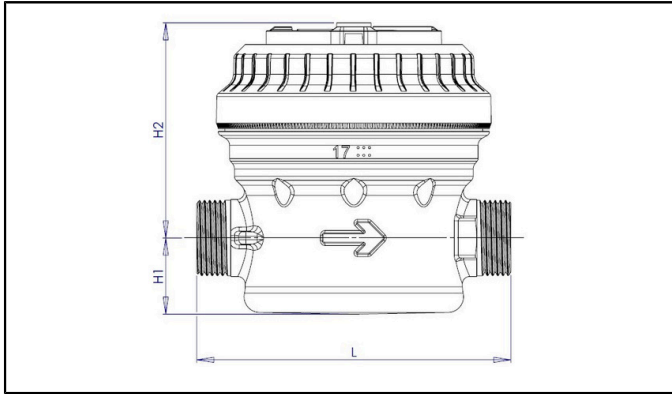
TEMPERATURES AND PRESSURE

ALTAIR V4 HOT WATER	
Water temperature	°C +30 ... +90
Ambient operating temperature	°C +1 ... +55
Storage temperature	°C -10 ... +55
Nominal pressure	PN bar 16

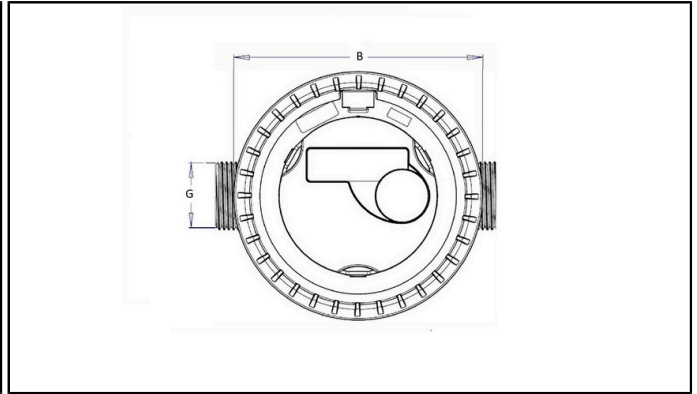
ALTAIR V4 HOT WATER

VOLUMETRIC METER

DIMENSIONS



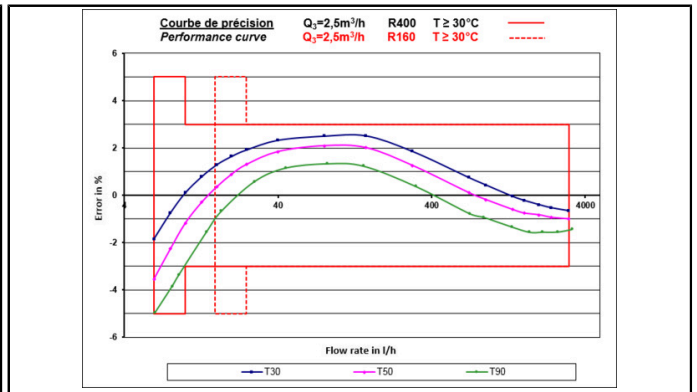
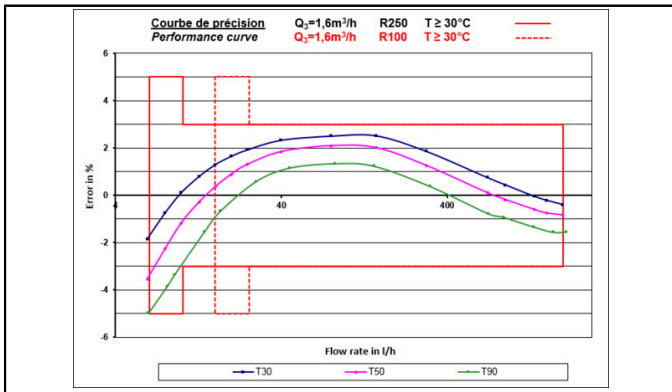
Front view



Top view

Nominal diameter	DN	mm	15	15
Length	L	mm	110	110
Nominal flow rate	Q ₃	m ³ /h	1.6	2.5
Width	B	mm	96.2	96.2
Height	H2	mm	75.4	75.4
Height	H1	mm	26.7	26.7
Thread connections	G	inch	3/4"	3/4"
Body			brass	brass
Weight		kg	0.82	0.82

PRECISION CURVE



OPTIONS

- Pair of connectors
- Stainless steel pocket filter