

ALTAIR V4 CONCENTRIC

VOLUMETRIC METER

DIEHL
Metering



APPLICATION

ALTAIR V4 CONCENTRIC is the latest generation of volumetric water meters specifically designed for installation on coaxial base in concentric manifold. ALTAIR V4 CONCENTRIC adapts to the most demanding environments and varying water qualities while maintaining its excellent metrology. Developed within the MID framework, it complies with European standards and holds certificates of sanitary conformity. Modular, ALTAIR V4 CONCENTRIC may be fitted at any time with an IZAR clip-on module converting it into a communicating meter, ready for mobile reading (walk-by, drive-by, passive drive-by) or fixed network reading (radio/wired).

FEATURES

- ▶ Q3=2.5 m³/h / Q3=4 m³/h
- ▶ MID approval up to R=630
- ▶ Starting flow rate at 0.4 l/h (Q3=2.5m³/h) / 0.7 l/h (Q3=4m³/h)
- ▶ Composite or brass body
- ▶ Cold water

ALTAIR V4 CONCENTRIC

VOLUMETRIC METER

METROLOGICAL DATA

Nominal flowrate	Q ₃	m ³ /h	2.5	4
R standard*	Q ₃ /Q ₁		160	160
Starting flow rate		l/h	0.4	0.7
Minimum flow rate	Q ₁	l/h	15.62	25
Transition flow rate	Q ₂	l/h	25	40
Maximum flow rate	Q ₄	m ³ /h	3.125	5
Head loss at Q ₃		bar	0.59	0.55
Head loss at Q ₄		bar	0.92	0.85
Kvs (deltaP=Q ² /Kvs ²)			3.25	5.41

* Other values on request

APPROVAL

ALTAIR CONCENTRIC	
MID Approval	LNE-6250 Type A2
Standards	EN 14154 ISO 4064 OIML R49
Sanitary conformity	ACS WRAS

REACH

Information pursuant to Article 33 (1) of Regulation (EC) No 1907/2006 of the European Parliament and of the Council of 18 December 2006:

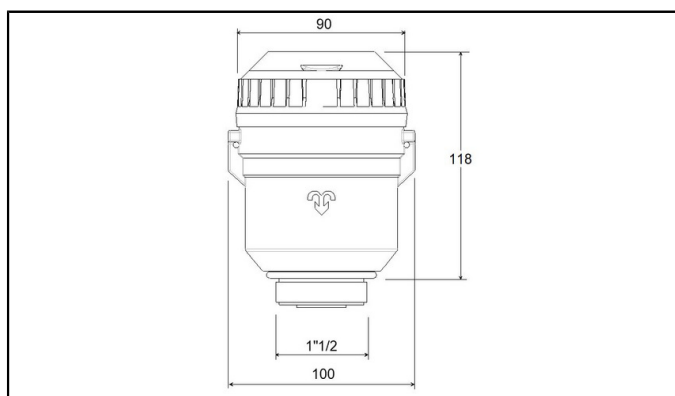
This product series contains articles with the following substances in a concentration of more than 0.1% weight by weight (w/w):

- Lead (CAS no.: 7439-92-1)

TEMPERATURE AND PRESSURE

ALTAIR CONCENTRIC		
Water temperature	°C	0.1 ... +50
Ambient operating temperature	°C	+1 ... +55
Storage temperature	°C	-10 ... +55
Nominal pressure	bar	16

DIMENSIONS



ALTAIR CONCENTRIC		
Height	mm	118
Width	mm	100
Thread connections	inch	1 1/2
Weight (brass version)	kg	1.11
Weight (composite version)	kg	0.55

Fitting and removing wrench

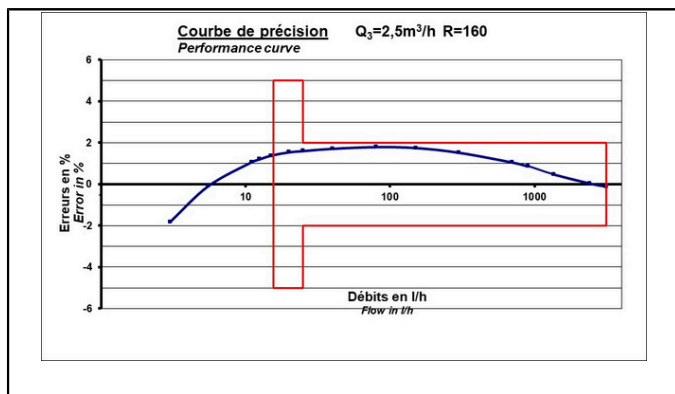
A special wrench is required for fitting or removing the meter (contact Diehl Metering). The two seals remain on the meter when it is removed.

Diehl Metering S.A.S. - Head Office - 67 rue du Rhône - BP 10160 - FR-68304 Saint-Louis Cedex - Phone: + 33 (0)3 89 69 54 00 - Fax: + 33 (0)3 89 69 72 20 - metering-France-info@diehl.com - www.diehl.com/metering
International Sales - 67 rue du Rhône - BP 10160 - FR-68304 Saint-Louis Cedex - Phone: + 33 (0)3 89 69 54 21 - Fax: + 33 (0)3 89 69 54 22 - metering-France-export@diehl.com
Subject to technical adjustments.

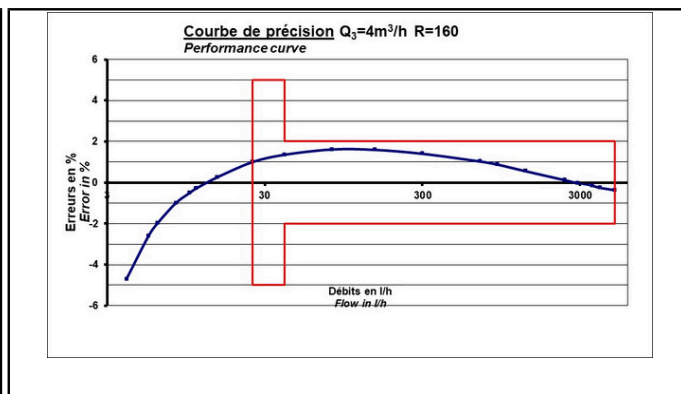
ALTAIR V4 CONCENTRIC

VOLUMETRIC METER

PRECISION CURVE



$Q_3=2.5$ R160



$Q_3=4$ R160

OPTION

- Plastic register