

# ALTAIR V3

## ROTARY PISTON METER

**DIEHL**  
Metering



### APPLICATION

ALTAIR V3 is a volumetric water meter designed for main markets. It is characterized by its versatility and robustness compatible with varying water qualities.

Modular, ALTAIR V3 may be fitted at any time with an IZAR clip-on module converting it into a communicating meter, ready for mobile or fixed network (radio/wired) reading.

### FEATURES

- ▶ DN 25 / 32 / 40
- ▶  $Q_3 = 6.3 \text{ m}^3/\text{h}$  (DN 25),  $Q_3 = 10 \text{ m}^3/\text{h}$  (DN 32),  $Q_3 = 16 \text{ m}^3/\text{h}$  (DN 40)
- ▶ MID approval up to R = 800
- ▶ Starting flow rate at 5 l/h
- ▶ Low head loss
- ▶ High dynamic range
- ▶ Installation in any position

# ALTAIR V3

## ROTARY PISTON METER

### TECHNICAL DATA

Nominal diameter	DN	mm	25	32	40
Overall length <sup>1</sup>	L	mm	260	260	300
Permanent flow rate	Q <sub>3</sub>	m <sup>3</sup> /h	6.3 / 10	10	16
R standard*	R		160	160	160
Starting flow rate		l/h	5	5	5
Minimum flow rate	Q <sub>1</sub>	l/h	39.4	62.5	100
Transitional flow rate	Q <sub>2</sub>	l/h	63	100	160
Overload flow rate	Q <sub>4</sub>	m <sup>3</sup> /h	7.87	12.5	20
Head loss at Q <sub>3</sub>		bar	0.485	0.515	0.613
Head loss at Q <sub>4</sub>		bar	0.756	0.805	0.957
Kvs (deltaP=Q <sup>2</sup> /Kvs <sup>2</sup> )			9.05	13.93	20.44

<sup>1</sup> Other values on request

### APPROVAL

ALTAIR V3	
MID	LNE-5582   A1 type
Standards	EN 14254   ISO 4064   OIML R49
Sanitary conformity	ACS   WRAS   Belgaqua

### REACH

Information pursuant to Article 33 (1) of Regulation (EC) No 1907/2006 of the European Parliament and of the Council of 18 December 2006:

This product series contains articles with the following substances in a concentration of more than 0.1% weight by weight (w/w):

- Lead (CAS no.: 7439-92-1)

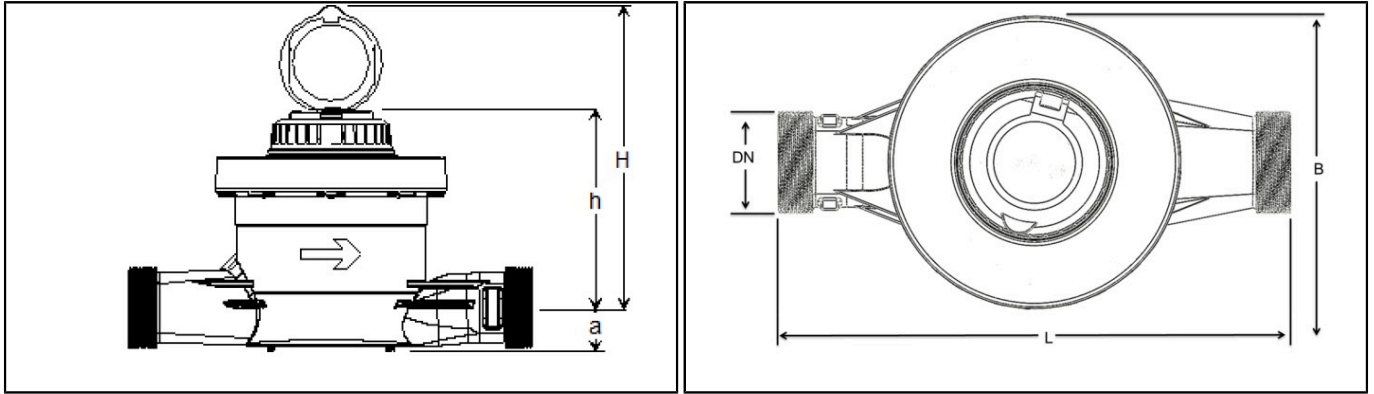
### TEMPERATURE AND PRESSURE

ALTAIR V3			
Water temperature	°C	0.1 ... +50	
Ambient operating temperature	°C	+1 ... +55	
Storage temperature	°C	-10 ... +55	
Nominal pressure	PN	bar	16

# ALTAIR V3

## ROTARY PISTON METER

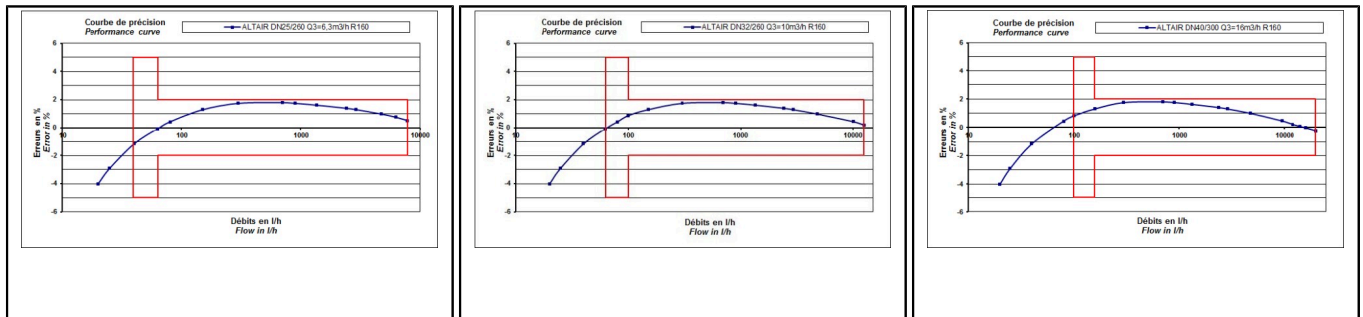
### DIMENSIONS



Nominal diameter	DN	mm	25	32	40
Overall length <sup>1</sup>	L	mm	260	260	300
Permanent flow rate	Q <sub>3</sub>	m <sup>3</sup> /h	6.3 / 10	10	16
Width	B	mm	171.5	171.5	171.5
Height - cover open	H	mm	227.6	227.6	227.6
Height	h	mm	153	153	153
Height	a	mm	31.9	31.9	31.9
Connection thread - standard		Inch	G1½B	G1½B	G2B
Connection thread - optional		Inch	-	G1¼B	-
Weight		kg	4.8	5.25	5.45

<sup>1</sup> Other values on request

### PRECISION CURVE



DN 25

DN 32

DN 40

### ACCESSORY

- Non-return valve
- Pair of connectors
- Plastic register