

ALTAIR V3

Rotary Piston Meter



APPLICATION

ALTAIR V3 is a volumetric water meter designed for main markets. It is characterized by its versatility and robustness compatible with varying water qualities.

Modular, ALTAIR V3 may be fitted at any time with an IZAR clip-on module converting it into a communicating meter, ready for mobile or fixed network (radio/wired) reading.

FEATURES

- DN25/32/40
- Q3=6.3 m³/h (DN25), Q3=10 m³/h (DN32), Q3=16 m³/h (DN40)
- MID approval up to R=800
- Starting flow rate at 5 l/h
- Low head loss
- High dynamic range
- Installation in any position

METROLOGICAL DATA

Nominal diameter	DN	mm	25	32	40
Length*	L	mm	260	260	300
Nominal flowrate	Q ₃	m ³ /h	6.3	10	16
R standard*	Q ₃ /Q ₁		160	160	160
Starting flowrate		l/h	5	5	5
Minimum flowrate	Q ₁	l/h	39.4	62.5	100
Transition flowrate	Q ₂	l/h	63	100	160
Maximum flowrate	Q ₄	m ³ /h	7.87	12.5	20
Head loss at Q ₃		bar	0.485	0.515	0.613
Head loss at Q ₄		bar	0.756	0.805	0.957
Kvs (deltaP=Q ² /Kvs ²)			9.05	13.93	20.44

* Other values on request

APPROVAL

ALTAIR V3

MID approval	LNE-5582 A1 type
Standards	EN 14254 ISO 4064 OIML R49
Sanitary conformity	ACS WRAS Belgaqua

REACH

Information pursuant to Article 33 (1) of Regulation (EC) No 1907/2006 of the European Parliament and of the Council of 18 December 2006:

This product series contains articles with the following substances in a concentration of more than 0.1% weight by weight (w/w):

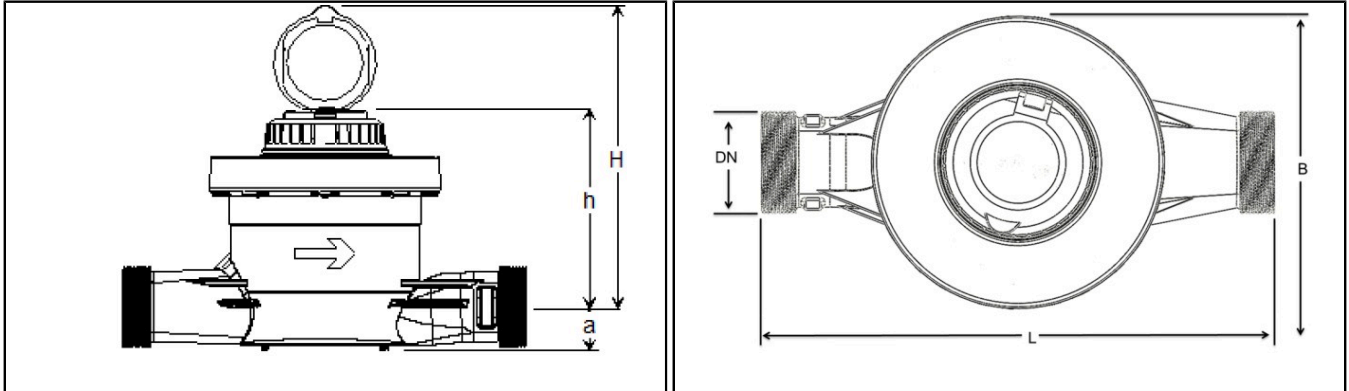
- Lead (CAS no.: 7439-92-1)

TEMPERATURE AND PRESSURE

ALTAIR V3

Water temperature	°C	0.1 ... +50
Ambient operating temperature	°C	+1 ... +55
Storage temperature	°C	-10 ... +55
Nominal pressure	PN	bar 16

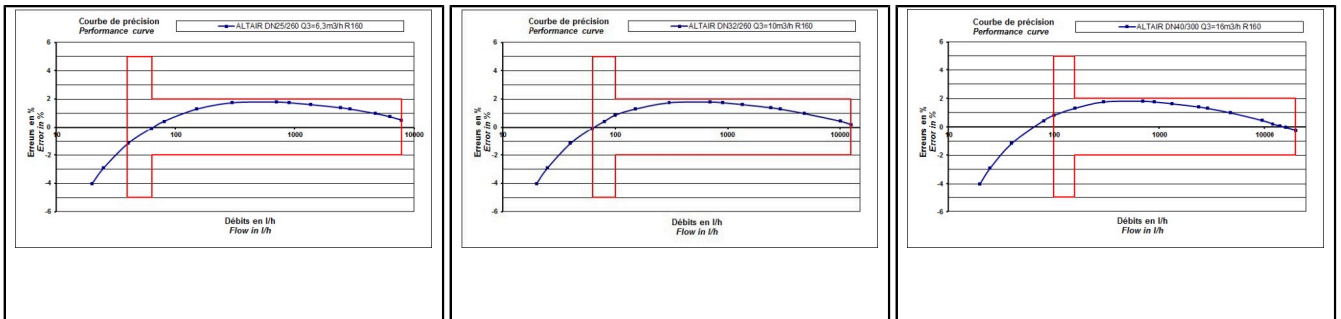
DIMENSIONS



Nominal diameter	DN	mm	25	32	40
Length*	L	mm	260	260	300
Nominal flowrate	Q ₃	m ³ /h	6.3	10	16
Width	B	mm	171.5	171.5	171.5
Height - cover open	H	mm	227.6	227.6	227.6
Height	h	mm	153	153	153
Height	a	mm	31.9	31.9	31.9
Thread connections standard		inch	1"1/4	1"1/2	2"
Thread connections (in option)		inch	-	1"1/4	-
Weight		kg	4.8	5.25	5.45

* Other values on request

PRECISION CURVE



DN 25

DN 32

DN 40

OPTIONS

- Non-return valve
- Pair of connectors
- Plastic register

Economic Actor Information

Applicable regulation and legal obligations for products may change.

DIEHL METERING monitors applicable regulation to ensure their products comply at the date of placing on the market.

Each economic actor making products available on the market thereafter must independently keep informed about the current applicable regulation.

For questions, please contact: metering-germany-info@diehl.com

Diehl Metering GesmbH
Hainburger Straße 33
A-1030 Vienna
Austria
Phone: +43 (0)1 716 70-0
Fax: +43 (0)1 716 70-12
metering-austria-info@diehl.com
www.diehl.com/metering

**EMPOWER A
SUSTAINABLE
FUTURE**