

ALTAIR V3

VOLUMETRIC METER

DIEHL
Metering



APPLICATION

ALTAIR V3 is a volumetric water meter designed for main markets. It is characterized by its versatility and robustness compatible with varying water qualities.

Modular, ALTAIR V3 may be fitted at any time with an IZAR clip-on module converting it into a communicating meter, ready for mobile or fixed network (radio/wired) reading.

FEATURES

- ▶ DN25/32/40
- ▶ Q3=6.3 m³/h (DN25), Q3=10 m³/h (DN32), Q3=16 m³/h (DN40)
- ▶ MID approval up to R=800
- ▶ Starting flow rate at 5 l/h
- ▶ Low head loss
- ▶ High dynamic range
- ▶ Installation in any position

ALTAIR V3

VOLUMETRIC METER

METROLOGICAL DATA

Nominal diameter	DN	mm	25	32	40
Length*	L	mm	260	260	300
Nominal flowrate	Q ₃	m ³ /h	6.3	10	16
R standard*	Q ₃ /Q ₁		160	160	160
Starting flowrate		l/h	5	5	5
Minimum flowrate	Q ₁	l/h	39.4	62.5	100
Transition flowrate	Q ₂	l/h	63	100	160
Maximum flowrate	Q ₄	m ³ /h	7.87	12.5	20
Head loss at Q ₃		bar	0.485	0.515	0.613
Head loss at Q ₄		bar	0.756	0.805	0.957
Kvs (deltaP=Q ² /Kvs ²)			9.05	13.93	20.44

* Other values on request

APPROVAL

ALTAIR V3	
MID approval	LNE-5582 A1 type
Standards	EN 14254 ISO 4064 OIML R49
Sanitary conformity	ACS WRAS Belgaqua

REACH

Information pursuant to Article 33 (1) of Regulation (EC) No 1907/2006 of the European Parliament and of the Council of 18 December 2006:

This product series contains articles with the following substances in a concentration of more than 0.1% weight by weight (w/w):

- Lead (CAS no.: 7439-92-1)

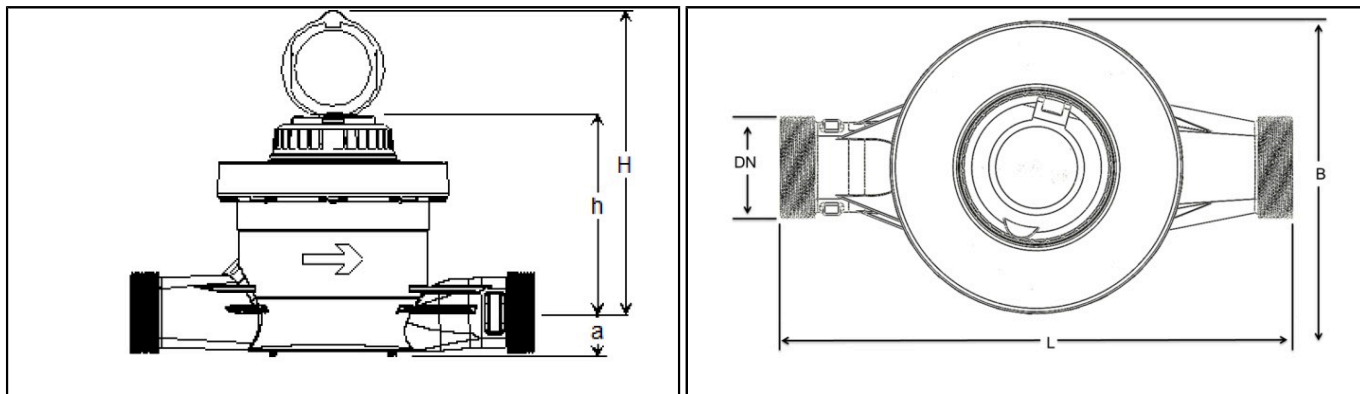
TEMPERATURE AND PRESSURE

ALTAIR V3		
Water temperature	°C	0.1 ... +50
Ambient operating temperature	°C	+1 ... +55
Storage temperature	°C	-10 ... +55
Nominal pressure	PN	bar 16

ALTAIR V3

VOLUMETRIC METER

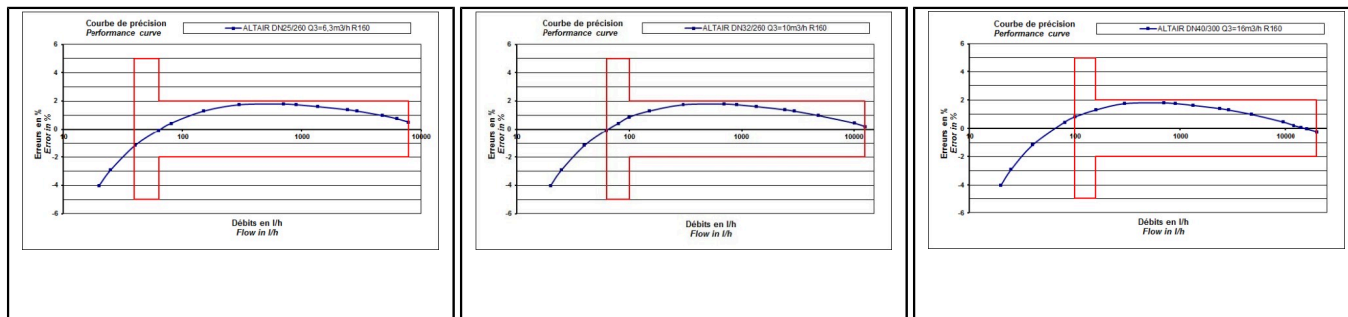
DIMENSIONS



Nominal diameter	DN	mm	25	32	40
Length*	L	mm	260	260	300
Nominal flowrate	Q ₃	m ³ /h	6.3	10	16
Width	B	mm	171.5	171.5	171.5
Height - cover open	H	mm	227.6	227.6	227.6
Height	h	mm	153	153	153
Height	a	mm	31.9	31.9	31.9
Thread connections standard		inch	1"1/4	1"1/2	2"
Thread connections (in option)		inch	-	1"1/4	-
Weight		kg	4.8	5.25	5.45

* Other values on request

PRECISION CURVE



DN 25

DN 32

DN 40

OPTIONS

- Non-return valve
- Pair of connectors
- Plastic register