

# ALTAIR MCI 119

ROTARY PISTON METER

**DIEHL**  
Metering



## APPLICATION

Domestic rotary piston water meter with measuring capsule

## FEATURES

- ▶ Low noise level
- ▶ System compatibility, with standard pulse output 1 l/pulse. ALTAIR MCI can be extended - with IZAR RADIO (radio module) or IZAR PULSE (pulse transmitter)
- ▶ Only the complete capsule needs to be replaced on expiry of the calibration period - the connection interface remains fitted in the pipeline
- ▶ Any mounting position + no calming sections necessary
- ▶ Low starting flow approximately 0.7 l/h permits recording of very small amounts of water
- ▶ Less exchange time as capsule and screw head is one part
- ▶ Self-cleaning mechanism of measuring chamber
- ▶ Encapsulated roller counter unit rotatable by 350°

# ALTAIR MCI 119

## ROTARY PISTON METER

### GENERAL

ALTAIR MCI 119		
Medium temperature range	°C	1 ... 30
Temperature safety	°C	1 ... 50
Ambient operating temperature	°C	1 ... 50
Ambient storage temperature	°C	1 ... 50
Nominal pressure	PN bar	16
Display range		8-digit, 0.001 l ... 99,999 m <sup>3</sup>
Pulse value	l/pulse	1
Protection class		IP 68

### TECHNICAL DATA

Housing			Horizontal	Rising Pipe
Nominal diameter	DN	mm	20	20
Permanent flow rate	Q <sub>3</sub>	m <sup>3</sup> /h	4	4
Overload flow rate	Q <sub>4</sub>	m <sup>3</sup> /h	5	5
Transitional flow rate	Q <sub>2</sub>	l/h	80	80
Minimum flow rate	Q <sub>1</sub>	l/h	25 <sup>1</sup>	25 <sup>1</sup>
Starting flow rate		l/h	0.7	0.7
Pressure loss at Q <sub>3</sub>		bar	0.6	0.6

<sup>1</sup> Based on R 160

### APPROVAL

ALTAIR MCI 119		
MID		LNE-6250   Type A2
Dynamic range (Q <sub>3</sub> /Q <sub>1</sub> )	R	40 / 80 / 160
Potable water		KTW / 270

### REACH

Information pursuant to Article 33 (1) of Regulation (EC) No 1907/2006 of the European Parliament and of the Council of 18 December 2006:

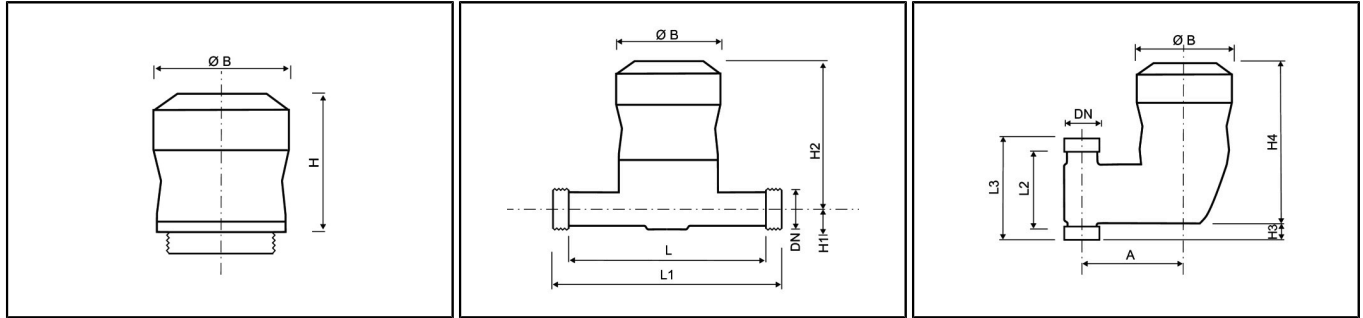
This product series contains articles with the following substances in a concentration of more than 0.1% weight by weight (w/w):

- Lead (CAS no.: 7439-92-1)

# ALTAIR MCI 119

## ROTARY PISTON METER

### DIMENSIONS



Housing			Horizontal	Rising Pipe
Length	L	mm	160	-
Overall length (DIN ISO 4064)	L1	mm	190	-
Length	L2	mm	-	75
Overall length rising pipe with thread	L3	mm	-	105
Connection thread on meter		Inch	G1B	G1B
Height	H	mm	97	97
Height	H1	mm	23	-
Height	H2	mm	144	-
Height	H3	mm	-	28
Height	H4	mm	-	172
Diameter	Ø B	mm	93	93
Width	A	mm	-	95
Weight of capsule		kg	0.57	0.57
Weight of complete meter (horizontal)		kg	1.53	-
Weight of complete meter (rising pipe)		kg	-	1.95

### PRESSURE LOSS (DELTA P = Q<sup>2</sup>/KVS<sup>2</sup>)

	ALTAIR MCI 119
Kvs	5.08