

# VZ04 / VZ08

INDUSTRIAL METER

**DIEHL**  
Metering



## APPLICATION

VZO is a volumetric meter with an oscillating piston. The principle of volumetric metering ensures high precision with low flow rates and excellent endurance. VZO may be installed horizontally, vertically or at an angle. When used with burners, it may be fitted directly on the nozzle line.

Thanks to its materials - cast iron, brass and aluminium piston - VZO is particularly appropriate for metering non-aggressive liquid lubricants such as fuel oil or mineral oil.

VZO may be fitted with a pulse emitter. The variety of values and types of pulse make VZO compatible with all centralized technical management systems.

## FEATURES

- ▶ Volumetric meter
- ▶ Designed for oil and fuel
- ▶ Different pulse values
- ▶ Low starting flow rate

# VZ04 / VZ08

## INDUSTRIAL METER

### METROLOGICAL DATA

Nominal diameter	DN	mm	4	8
Starting flow rate		l/h	0.4	1.6
Minimum flow rate	Qmin	l/h	1	4
Maximum flow rate	Qmax	l/h	80	200
Permanent flow rate		l/h	50	135
Error tolerance of volume between Qmin and Qmax			< ±1 %*	< ±1 %*
Repeatability			< ±0.2 %	< ±0.2 %

\* Error tolerance 0.5 ... 1 l/h = ±5% / 1 ... 2l/h = ±2.5%

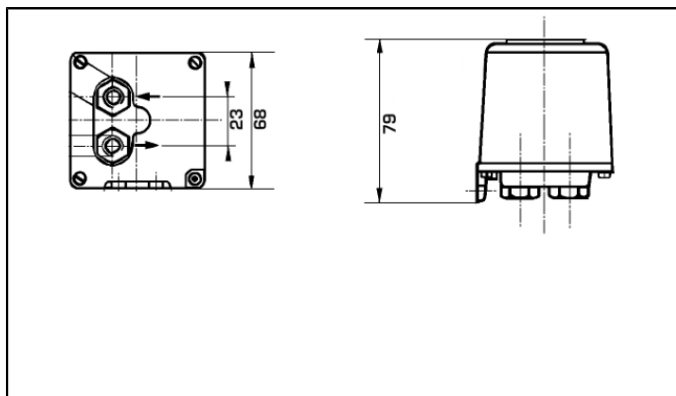
For burners and engines or motors, the meter must be selected on the basis of the nominal flow rate.

Meters destined to 2 speed burners are selected knowing Qmax can't be exceeded with the higher mode.

### TEMPERATURE AND PRESSURE

VZ04 / VZ08				
Max. temperature	°C		50 or 80	
Nominal pressure	bar		25	

### DIMENSIONS



Nominal diameter	DN	mm	4	8
Length		mm	68	68
Depth		mm	68	68
Height		mm	78	78
Width of mesh from prefilter/ filtre		mm	0.125 / 0.08	0.15 / 0.1
Threaded connections		inches	1/8"	1/4"
Weight without connection		kg	0.65	0.75

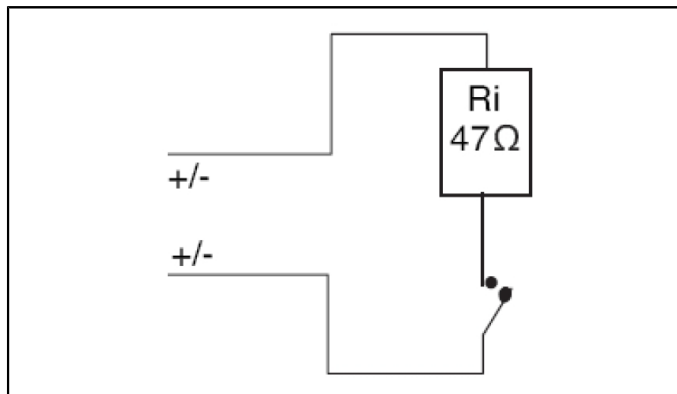
### HEAD LOSS

Nominal diameter	DN	mm	4	8
kvs ( $\Delta P = Q^2 / Kvs^2$ ) à 5 mPa.s			0.22	0.5

# VZ04 / VZ08

INDUSTRIAL METER

## PULSE EMITTER



Nominal diameter	DN	mm	4	8
Weight of impulse in litre			0.1	1

This technology doesn't require straight length.