

AQUILA V4

SINGLE-JET METER

DIEHL
Metering



APPLICATION

AQUILA V4 is a bulk water meter designed for network metering and invoicing of substantial quantities of cold water. It is characterised by its very high measuring dynamic, its insensitivity to disturbances and easy maintenance.

Developed within the framework of the MID, AQUILA V4 complies with the European regulations and holds sanitary conformity certificates.

Modular, AQUILA V4 can be fitted at any time with an IZAR clip-on module converting it into a communicating meter ready for mobile or fixed (radio/wired) network reading.

FEATURES

- ▶ DN 50 / 65 / 80 / 100
- ▶ $Q_3 = 25 \text{ m}^3/\text{h}$ (DN 50) / $Q_3 = 40 \text{ m}^3/\text{h}$ (DN 65) / $Q_3 = 63 \text{ m}^3/\text{h}$ (DN 80) / $Q_3 = 100 \text{ m}^3/\text{h}$ (DN 100)
- ▶ Starting flow rate from 18 l/h
- ▶ MID approval up to R = 630 (DN 80 and 100)
- ▶ Modular rotating flanges with pipe gaskets
- ▶ High dynamic range

AQUILA V4

SINGLE-JET METER

TECHNICAL DATA

Nominal diameter	DN	mm	50	65	80	100
Length	L	mm	300	300	350	350
Permanent flow rate	Q ₃	m ³ /h	25	40	63	100
R standard *	R		315	315	315	315
Starting flow rate		l/h	18	28	31	38
Minimum flow rate	Q ₁	l/h	80	127	200	317
Transitional flow rate	Q ₂	l/h	127	203	320	508
Overload flow rate	Q ₄	m ³ /h	31.25	50	78.75	125
Head loss at Q ₃		bar	0.482	0.592	0.513	0.574
Head loss at Q ₄		bar	0.640	0.925	0.801	0.897
Kvs (deltaP=Q ² /Kvs ²)			36	52	88	132

* Other value on request.

APPROVAL

	AQUILA V4
MID approval	LNE - 10913 C1 type
Standards	ISO 4064 EN 14154 OIML R49
Sanitary conformity	ACS - WRAS

REACH

Information pursuant to Article 33 (1) of Regulation (EC) No 1907/2006 of the European Parliament and of the Council of 18 December 2006:

This product series contains articles with the following substances in a concentration of more than 0.1% weight by weight (w/w):

- Lead

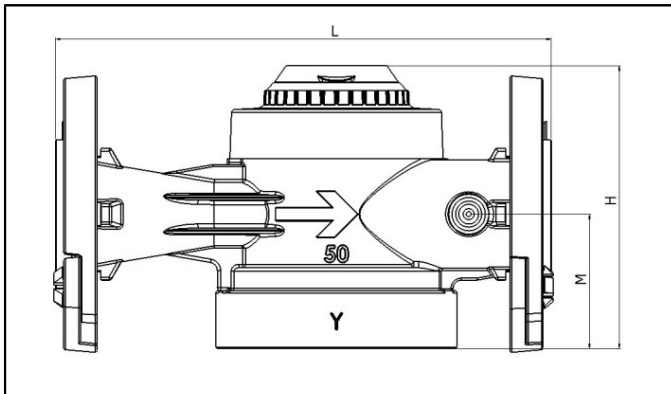
TEMPERATURE AND PRESSURE

	AQUILA V4
Water temperature	°C 0.1 ... +50
Ambient operating temperature	°C 0 ... +50
Storage temperature	°C -10 ... +55
Nominal pressure	PN bar 16

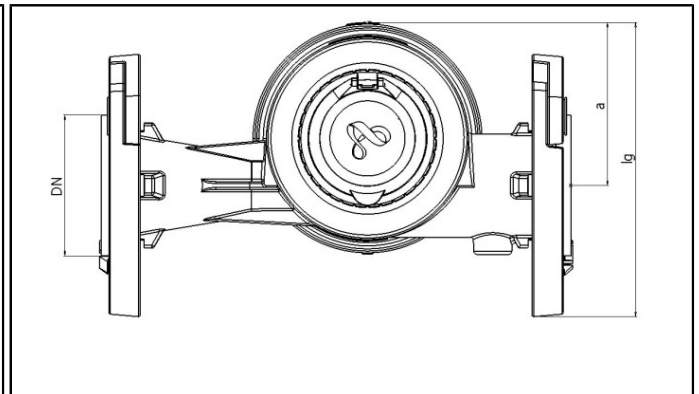
AQUILA V4

SINGLE-JET METER

DIMENSIONS



Front view

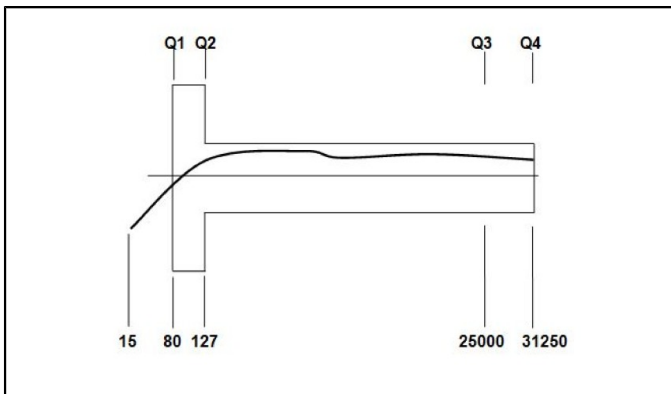


Top view

Nominal diameter	DN	mm	50	65	80	100
Length	L	mm	300	300	350	350
Width	a	mm	106	106	150	150
Width	lg	mm	189	199	251	260
Height	M	mm	83	93	101	110
Height	H	mm	173	183	208	216
Flange diameter		mm	165	185	200	220
Body			brass	brass	bronze	bronze
Weight		kg	9.1	10.1	16.8	18.7

Standard flange : flat raised face flange

PRECISION CURVE



OPTIONS

- Flange filter
- Under-calibrated flanges
- Plastic register