

# IZAR PASSIVE DRIVE-BY BOX 2

RADIO RECEIVER

**DIEHL**  
Metering



## APPLICATION

IZAR PASSIVE DRIVE-BY BOX is a radio data concentrator pre-equipped with antennas and embedded in a rugged box specifically designed for passive drive-by meter reading.

IZAR PASSIVE DRIVE-BY BOX is easy to install on any type of maintenance or waste truck vehicle. Powered by the vehicle electrical circuit it enables autonomous reading of every communicating multi-energy meters and sensors (water, thermal energy, gas, electricity...) based on OMS specifications, with automatic data export via a mobile network.

## FEATURES

- ▶ Available in 868 or 434 MHz
- ▶ Automatic reading of meters
- ▶ Multi-energy solution (water, thermal energy, gas, electricity...)
- ▶ Data transfer to a FTP or SFTP server
- ▶ Data sending via 2G/3G
- ▶ Local or remote configuration

# IZAR PASSIVE DRIVE-BY BOX 2

## RADIO RECEIVER

### PRINCIPLE OF OPERATION

IZAR PASSIVE DRIVE-BY BOX receives radio telegrams according to the EN 13757 standard and OMS (Open Metering System) specification, regardless of the type of meters or sensors (water, thermal energy, gas, electricity, temperature, humidity...). Data is then transferred automatically via the mobile network (2G/3G) to a FTP or SFTP data storage server to be processed by the Diehl Metering software solutions IZAR@NET 2 or IZAR PLUS PORTAL.

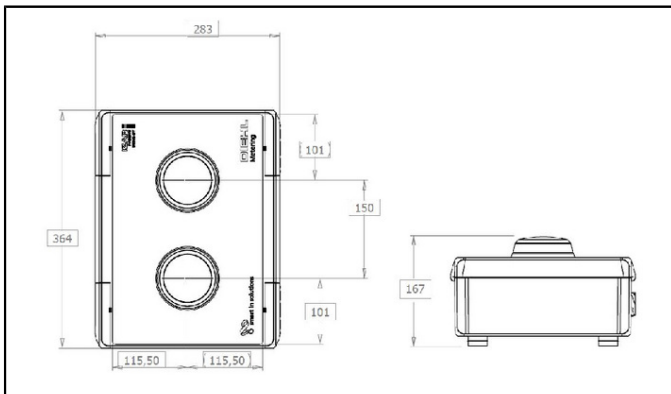
### TECHNICAL DATA

IZAR PASSIVE DRIVE-BY BOX	
Housing	Rugged plastic - Bopla type
Type of fluid measured	Multi-energy (water, thermal energy, gas, electricity, temperature, humidity...)
Communication protocol	wM-Bus (EN 13757-3/-4)   PRIOS   OMS (Open Metering System)
Frequency	MHz 868.95 (T1/C1 mode) or 434.475 (T1 mode only)
Antennas	Pre-installed
Connectivity	Bluetooth®
Network	2G/3G
Power supply	V (DC) External connector for power supply from vehicle (12 ... 24 V DC)
Typical power consumption	VA 3.6 (300 mA at 12V)   Peak at start-up 1.8 A at 12V
Configuration	Locally or remotely with a dedicated software (Windows)

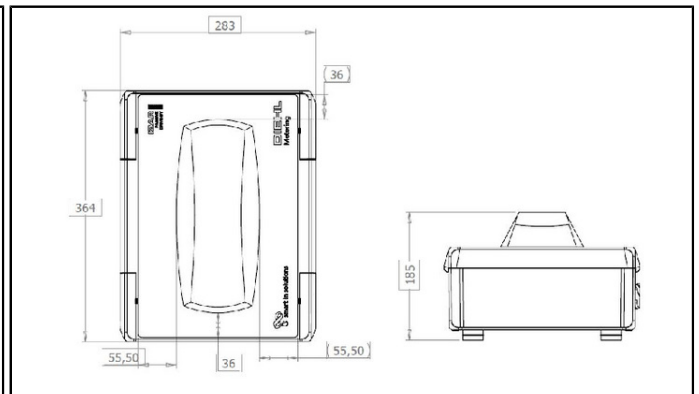
### AMBIENT CONDITIONS

IZAR PASSIVE DRIVE-BY BOX	
Operating temperature	°C -20 ... +70
Storage temperature	°C -20 ... +70
Ambient humidity	% 10 ... 90
Protection class	IP 66

### DIMENSIONS



868 MHz version



434 MHz version

IZAR PASSIVE DRIVE-BY BOX	
Length	mm 364
Width	mm 283
Height	mm 167 (868 MHz version)   185 (434 MHz version)
Weight	kg 3.77 (868 MHz version)   3.95 (434 MHz version)