

ALTAIR V4 DN25/32/40

VOLUMETRIC METER

DIEHL
Metering



APPLICATION

ALTAIR V4 represents the latest generation of volumetric meters developed within the framework of the MID and European standards to meet field requirements.

ALTAIR V4 is a particularly compact and robust meter, adapting to the most restrictive environments and compatible with varying water qualities.

Modular, ALTAIR V4 may be fitted at any time with an IZAR clip-on module converting it into a communicating meter, ready for mobile or fixed network (radio/wired) reading.

FEATURES

- ▶ DN25/32/40
- ▶ $Q_3=6.3 \text{ m}^3/\text{h}$ (DN25/32), $Q_3=10 \text{ m}^3/\text{h}$ (DN25/32) and $Q_3=16 \text{ m}^3/\text{h}$ (DN40)
- ▶ MID approval up to $R=800$ ($Q_3=6.3 \text{ m}^3/\text{h}$), $R=500$ ($Q_3=10 \text{ m}^3/\text{h}$) and $R=1,000$ ($Q_3=16 \text{ m}^3/\text{h}$)
- ▶ Starting flow rate at 1 l/h ($Q_3=6.3 \text{ m}^3/\text{h}$), 2.9 l/h ($Q_3=10 \text{ m}^3/\text{h}$) and 4 l/h ($Q_3=16 \text{ m}^3/\text{h}$)
- ▶ Brass body
- ▶ Glass-copper register
- ▶ Compact
- ▶ Installation in any position

ALTAIR V4 DN25/32/40

VOLUMETRIC METER

METROLOGICAL DATA

| | | | | | | | |
|--|--------------------------------|-------------------|--------|-------|--------|-------|-------|
| Nominal diameter | DN | mm | 25 | 25 | 32 | 32 | 40 |
| Length* | L | mm | 260 | 260 | 260 | 260 | 300 |
| Nominal flow rate | Q ₃ | m ³ /h | 6.3 | 10 | 6.3 | 10 | 16 |
| R standard* | Q ₃ /Q ₁ | | 160 | 160 | 160 | 160 | 160 |
| Starting flow rate | | l/h | 1 | 2.9 | 1 | 2.9 | 4 |
| Minimum flow rate* | Q ₁ | l/h | 39.375 | 62.5 | 39.375 | 62.5 | 100 |
| Transition flow rate* | Q ₂ | l/h | 63 | 100 | 63 | 100 | 160 |
| Maximum flow rate | Q ₄ | m ³ /h | 7.875 | 12.5 | 7.875 | 12.5 | 20 |
| Head loss at Q ₃ | | bar | 0.616 | 0.496 | 0.611 | 0.484 | 0.630 |
| Head loss at Q ₄ | | bar | 0.962 | 0.776 | 0.955 | 0.785 | 0.984 |
| Kvs (deltaP=Q ² /Kvs ²) | | | 8.0 | 14.2 | 8.0 | 14.2 | 20.1 |

* Other values on request.

APPROVAL

| | |
|---------------------|--------------------------------------|
| | ALTAIR V4 DN25/32/40 |
| MID approval | LNE-6250 Type A2 |
| Standards | EN 14154 ISO 4064 OIML R49 |
| Sanitary conformity | ACS Belgaqua KTW WRAS DM 174 |

REACH

Information pursuant to Article 33 (1) of Regulation (EC) No 1907/2006 of the European Parliament and of the Council of 18 December 2006:

This product series contains articles with the following substances in a concentration of more than 0.1% weight by weight (w/w):

- Lead

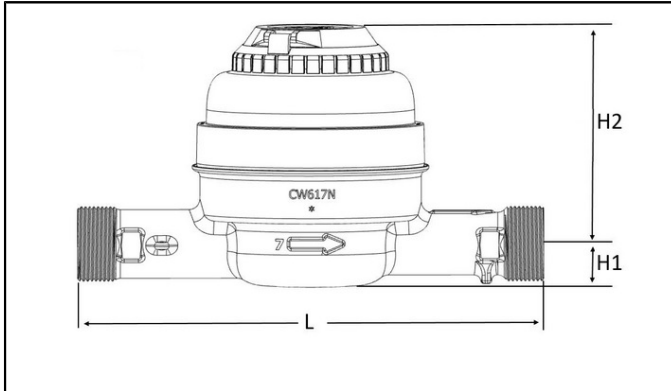
TEMPERATURES AND PRESSURE

| | |
|-------------------------------|----------------------|
| | ALTAIR V4 DN25/32/40 |
| Water temperature | °C 0.1 ... +50 |
| Ambient operating temperature | °C +1 ... +55 |
| Storage temperature | °C -10 ... +55 |
| Nominal pressure | PN bar 16 |

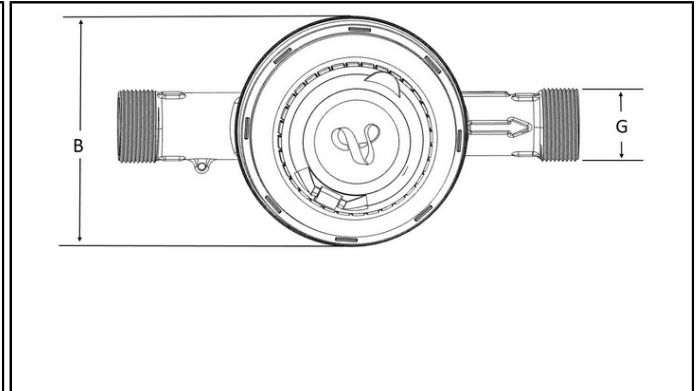
ALTAIR V4 DN25/32/40

VOLUMETRIC METER

DIMENSIONS



Front view - DN40

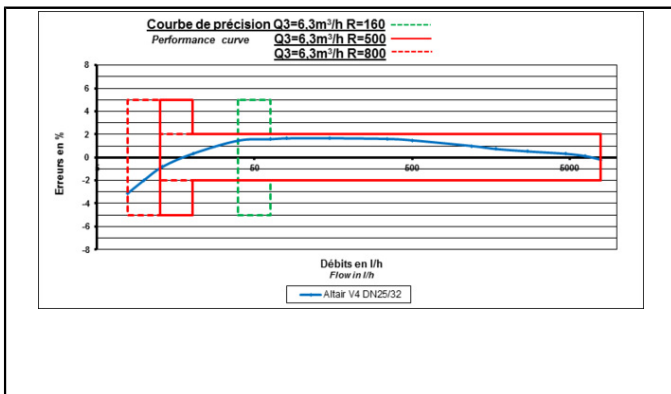


Top view

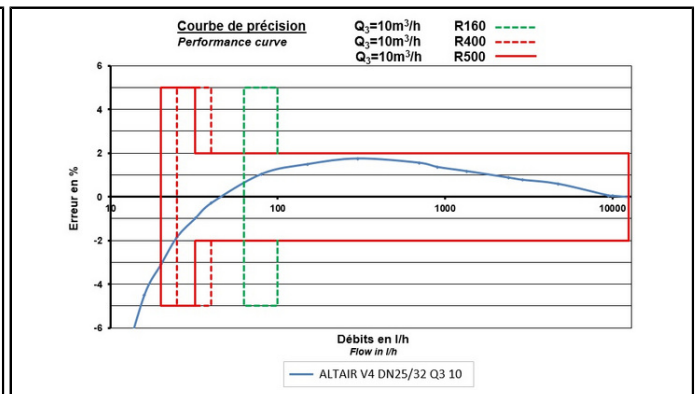
| Nominal diameter | DN | mm | 25 | 25 | 32 | 32 | 40 |
|--------------------|----------------|-------------------|-------|-------|-------|-------|-------|
| Length* | L | mm | 260 | 260 | 260 | 260 | 300 |
| Nominal flow rate | Q ₃ | m ³ /h | 6.3 | 10 | 6.3 | 10 | 16 |
| Width | B | mm | 132 | 179 | 132 | 179 | 179 |
| Height | H1 | mm | 24.3 | 25.3 | 24.3 | 25.3 | 30.5 |
| Height | H2 | mm | 120.3 | 153.5 | 120.3 | 153.5 | 153.5 |
| Thread connections | G | inch | 1"1/4 | 1"1/4 | 1"1/2 | 1"1/2 | 2" |
| Body | | | brass | brass | brass | brass | brass |
| Weight | | kg | 2.71 | 4.25 | 2.78 | 4.57 | 5.44 |

* Other values on request.

PRECISION CURVE - DN25/32



DN25/32 - Q₃=6.3 m³/h



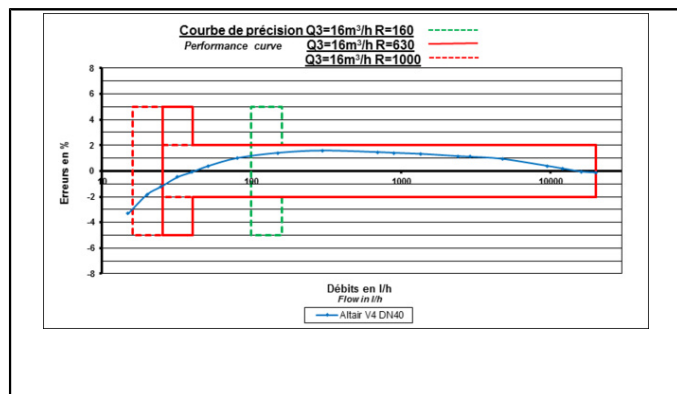
DN25/32 - Q₃=10 m³/h

This technology does not require straight length.

ALTAIR V4 DN25/32/40

VOLUMETRIC METER

PRECISION CURVE - DN40



DN40 - $Q_3=16 \text{ m}^3/\text{h}$

This technology does not require straight length.

OPTIONS

- Non-return valve
- Pair of connectors