

WESAN WPV A E

Electronic Meter | Woltman

DIEHL
Metering



APPLICATION

Meter for measuring heavily fluctuating flow rates.

FEATURES

- ▶ Electronic sensor control for recording flow rate
- ▶ Lithium battery, lifetime up to 12 years
- ▶ Optical ZVEI interface equipped as standard
- ▶ Adjustable reading date for billing
- ▶ Rotatable integrator for main meter
- ▶ Single-line 7-digit display for easy meter reading
- ▶ Ideal design of housing and housing cover prevents sedimentation, stagnant water and air pockets
- ▶ No measuring errors in the switch-over range
- ▶ In order to secure a safe switch-over the WESAN WPV A E needs a minimum ingoing pressure of 0.6 bar

WESAN WPV A E

Electronic Meter | Woltman

ELECTRONIC - BASIC FEATURES

WESAN WPV A E	
Ambient class	OIML R49 class C / MID E2 + M2
Protection class	IP 68
Interfaces standard	Optical ZVEI
Interfaces optional	M-Bus, L-Bus, pulse

DISPLAY

WESAN WPV A E	
Display indication	LCD, 7-digit
Unit	m ³ /h - l/h - m ³ - l
Total values	9,999.999 - 999,999.9 - 99,999.99 - 9,999.999
Values displayed	Flow rate

VOLUME- / PULSE OPEN COLLECTOR

WESAN WPV A E	
Max. frequency	Hz 90
Max. input voltage	V 30
Max. input current	mA 27
Max. voltage drop at active output	V/mA 2/27
Max. current through inactive output	µA/V 5/30
Max. reverse voltage without destroying outputs	V 6
Pulse duration	ms 5.5
Min. pulse pause	ms 5.5

SUPPLY VOLTAGE

WESAN WPV A E			
Operating voltage	UN	VDC	3.0 (lithium battery)
Battery lifetime			Up to 12 years
Nominal power	PN	µW	30

PULSE INTERFACE - SPECIFICATION

WESAN WPV A E	
Pulse rates	l/pulse Decadic 1 ... 1000
Display	1 digit after comma
Pulse value 1	l/pulse 100 (factory setting)
Pulse value 2	l/pulse 1000 (factory setting)
Pulse variants	Two forward pulses (factory settings); one forward and one backward pulse; pulse and direction signal

WESAN WPV A E

Electronic Meter | Woltman

GENERAL

WESAN WPV A E			
Temperature range	°C	1 ... 30	
Temperature safety	°C	1 ... 50	
Ambient operating temperature	°C	1 ... 55	
Ambient storage temperature	°C	1 ... 55	
Nominal pressure	PN	bar	16 ¹
Display range			0.05 l ... 999,999 m ³

¹ versions with different nominal pressure on request (see also special versions)

TECHNICAL DATA

Nominal diameter	DN	mm	150
Permanent flow rate	Q ₃	m ³ /h	160
Minimum flow rate	Q ₁	l/h	100
Transitional flow rate	Q ₂	l/h	160
Overload flow rate	Q ₄	m ³ /h	200
Starting flow rate		l/h	16
Permanent flow rate bypass meter	Q ₃	m ³ /h	16
Switch-over flow rate rising		l/h	4250
Switch-over flow rate falling		l/h	7850

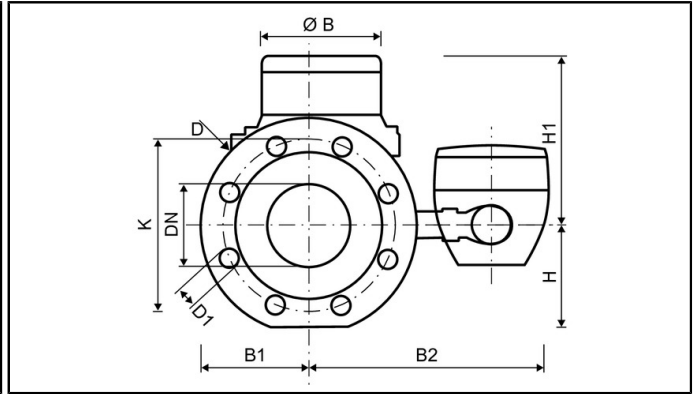
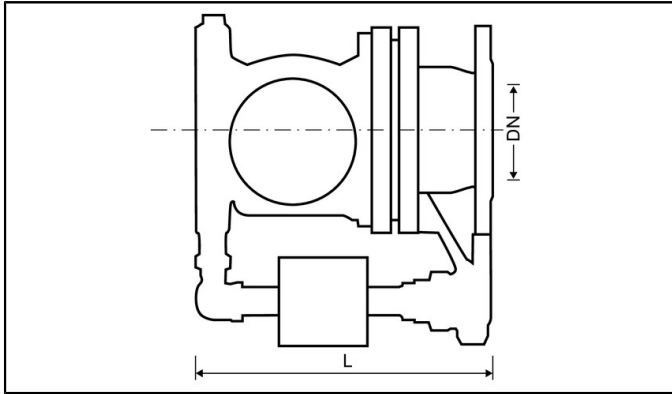
APPROVAL

Nominal diameter	DN	mm	150
MID (DE-17-MI001-PTB003)			•
Dynamic range bypass meter			
HYDRUS (Q ₃ /Q ₁)	R		1600 H
Potable water			KTW / W270

WESAN WPV A E

Electronic Meter | Woltman

DIMENSIONS

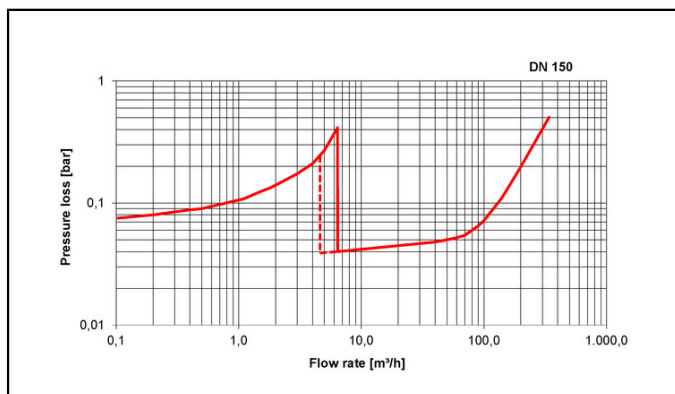


Nominal diameter	DN	mm	150
Overall length (DIN 19625)	L	mm	500 ± 15
Flange diameter	D	mm	285
Hole circle diameter	K	mm	240
Number of screwholes		pcs	8
Screw hole diameter	D1	mm	22
Height	H	mm	150
Height	H1	mm	230
Height to remove measuring insert		mm	475
Width	B1	mm	143
Width	B2	mm	290
Diameter	Ø B	mm	115
Weight of complete meter		kg	68

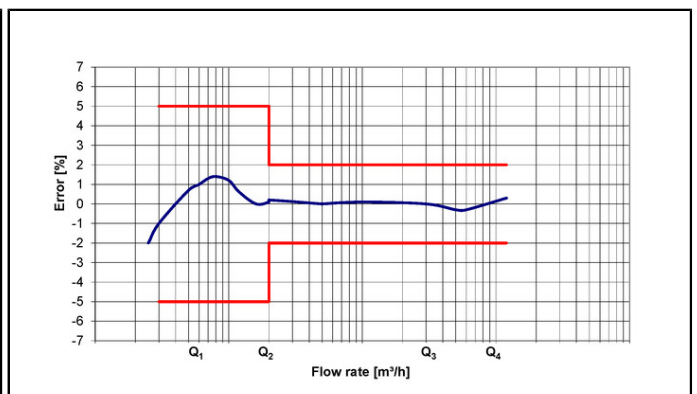
SPECIAL VERSIONS

- Versions with different nominal pressure on request
- Special flange holes on request

PRESSURE LOSS GRAPH / TYPICAL ERROR GRAPH



Pressure loss graph



Typical error graph