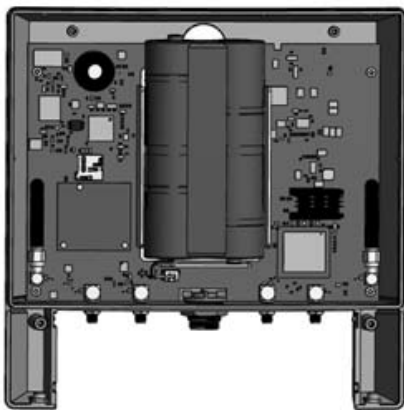
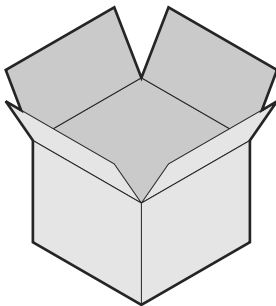
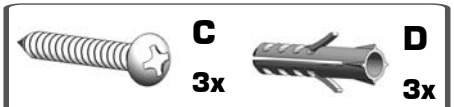
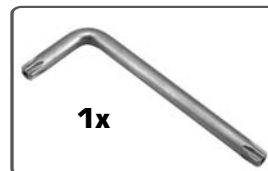


# IZAR RDC BATTERY

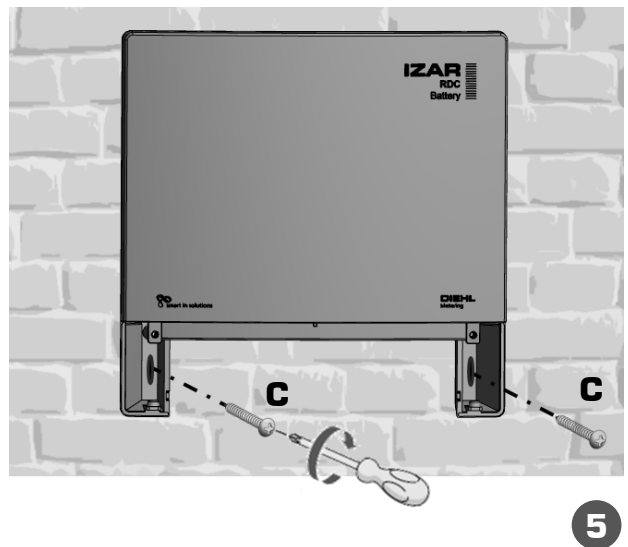
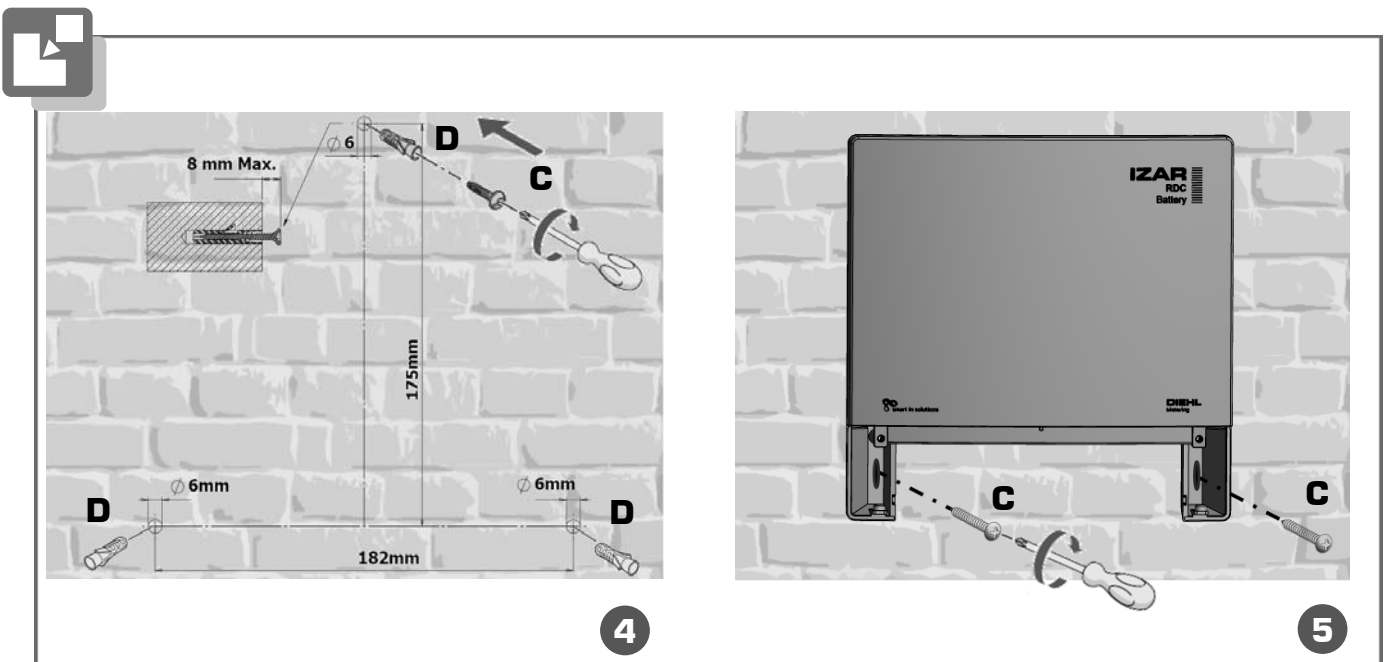
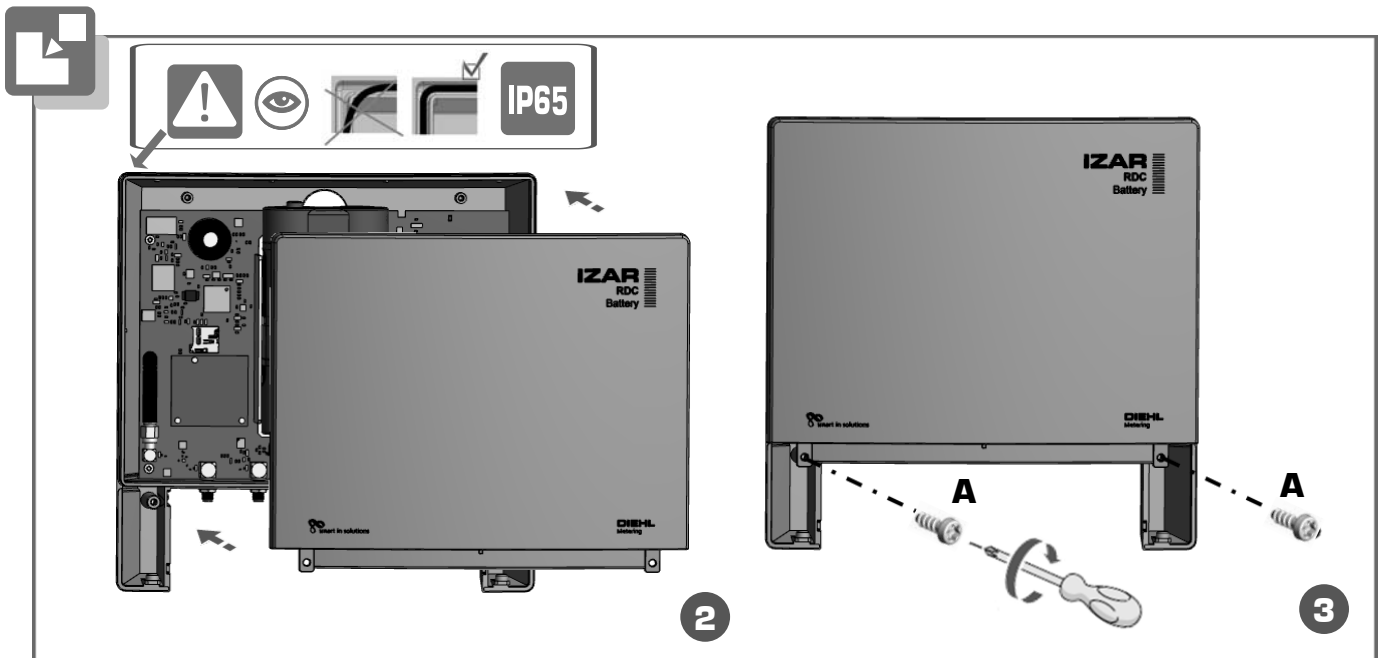
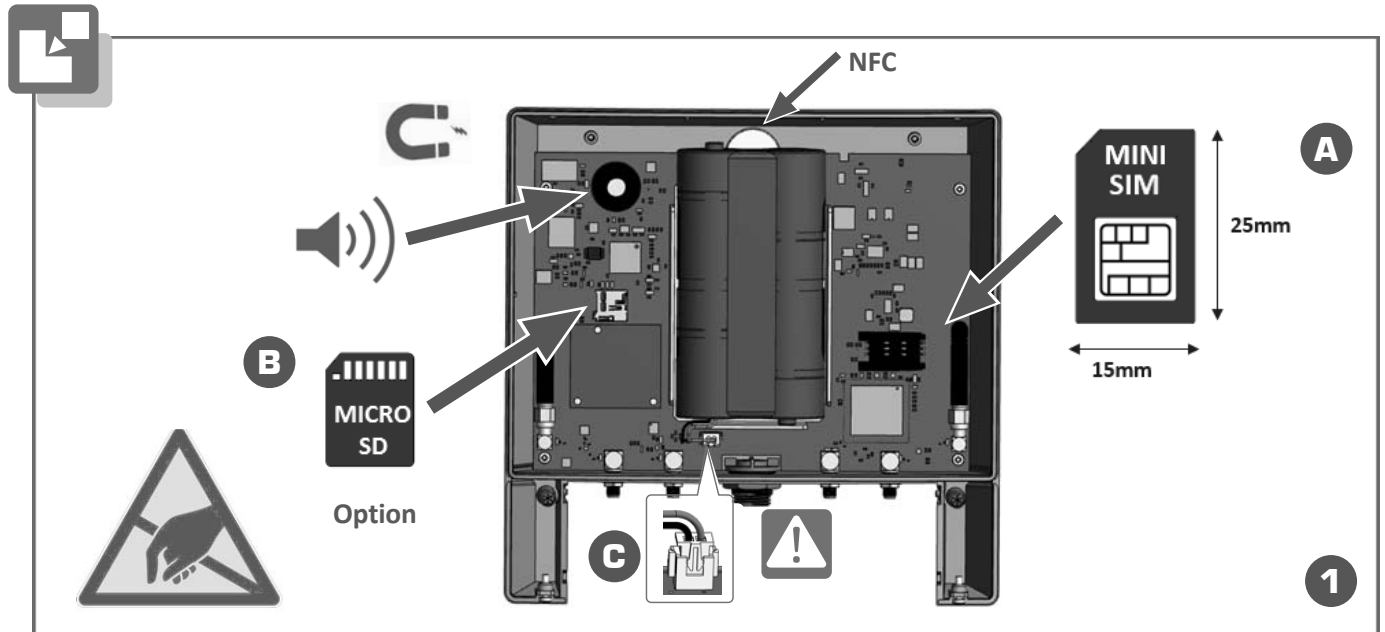
**DIEHL**  
Metering



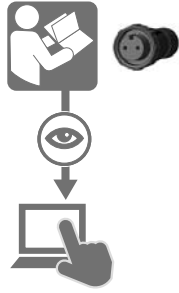
1x



# IZAR RDC BATTERY

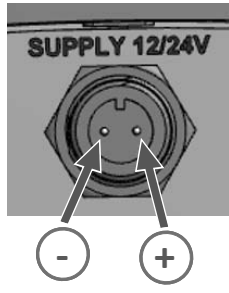


# IZAR RDC BATTERY



www.bulgin.com

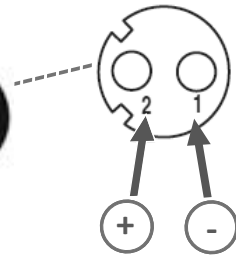
400 series | 🔍



IZAR RDC BATTERY

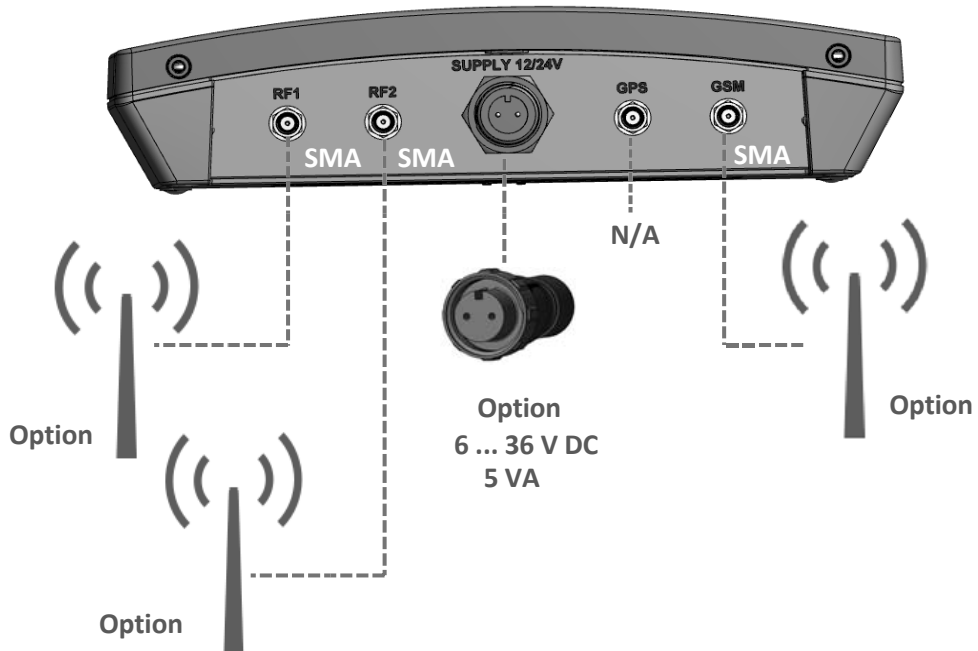


Bulgin Connector  
400 Series Buccaneer

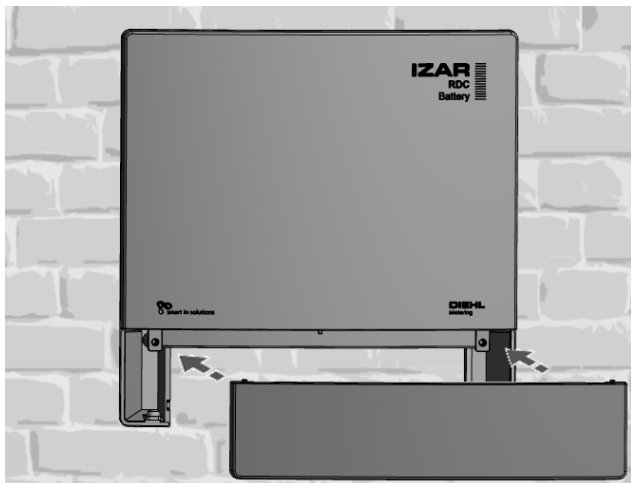


cable side / côté câble /  
Kabelseite / lado del cable

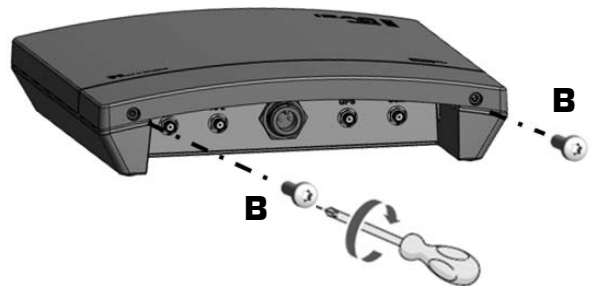
6



7



8



9

# IZAR RDC BATTERY

PROG

IZAR RDC BATTERY



Bluetooth™  
4.0  
Low Energy



IZAR@RDCBV Config



## Open Source Software Notice

This product contains open source software components. The use and distribution of any open source software is governed by respective terms and conditions of the applicable open source license. By using this product, you acknowledge that you have reviewed such license terms and notices, and you agree to be obliged by these terms. Please ensure that you get yourself familiar with the licenses terms and conditions before using this product. The complete license terms are included in the appendix of the product's user manual, which is available on Diehl Metering website: <https://www.diehl.com/metering/en/support-center/download-center/>  
DIEHL Metering is eager to comply with all requirements set by various free or open source software licenses. For any inquiries related to open source software, please send an email to [oss-dmde@diehl.com](mailto:oss-dmde@diehl.com) or write a letter to DIEHL Metering GmbH, Industriestr. 13, 91522 Ansbach, Germany, with subject "Open Source Software", respectively.



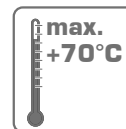
BLE MAC address / adresse MAC du BLE /  
BLE MAC-Adresse / BLE dirección MAC

**IZAR RDC Battery**

IZAR RDC BATTERY 868  
P/N : 3082137  
REF : WG0611-A02  
S/N : AS17125F35

M000B5ED10D54  
IMEI : 89331032161871900457  
Version produit : 01

**DIEHL Metering** smart in solutions



UP TO 10  
YEARS

