

# IZAR RC 868 I W R4

RADIO MODULE

**DIEHL**  
Metering



## APPLICATION

IZAR Radio Compact Inductive Waterbox R4 is designed for mobile and long-range fixed network remote reading of Diehl Metering water meters. IZAR RC i W R4 radio module can be clipped onto all the meters of the Diehl Metering inductive modular range (Ha+Ti or Ti), with a grey or red ring. It comprises a tamper proof sensor operating on inductive principle.

Easy to fit, IZAR RC i W R4 is field or factory programmable with the serial number of the associated meter. IZAR RC i W R4 radio module transmits the meter reading via a unidirectional link every 8 seconds in R3 mode and every 15 minutes in long-range fixed network R4 mode, allowing an efficient drive-by reading at 50km/h and an accurate fixed network.

IZAR RC i W R4 offers multiple functions (historical index value, remaining battery lifetime...) and alarms (leaks, meter stopped, backflow...). An internal data logger is readable via the IrDA interface, in case of consumer disputes.

## FEATURES

- ▶ Compact radio emitter 868 MHz designed for concentric meters
- ▶ Suitable for mobile reading and long range fixed network
- ▶ IP 68
- ▶ Lifetime up to 15 years
- ▶ Integrated data logger (up to 6 months memory)
- ▶ 1 historical index value stored at predefined date to facilitate billing
- ▶ Insensitive to magnetic fraud

# IZAR RC 868 i W R4

## RADIO MODULE

### PRINCIPLE OF OPERATION

IZAR RC i W R4 includes an electronic circuit that collects the data coming from a Diehl Metering water meter and transmits in real time the index and other operating information every 8 seconds in R3 mode and every 15 minutes in long-range fixed network R4 mode.

Mobile reading in Walk-by / Drive-by / Passive Drive-by:

The data sent by IZAR RC i W R4 is collected using either a Diehl Metering handheld computer or tablet equipped with an IZAR RECEIVER BT for Walk-by/Drive-by or an IZAR RDC VEHICLE for passive Drive-by. Data is then transferred directly to a centralized monitoring system.

Fixed network :

A fixed receiver IZAR RDC STANDARD/IZAR RDC BATTERY (fixed network R3) or IZAR RDC PREMIUM (long-range fixed network R4) installed in buildings will collect the data and send it at predefined intervals, via GPRS or LAN, to a centralized server. Reading through M-Bus application with an IZAR CENTER associated to an IZAR RECEIVER M-BUS and IZAR@NET 2 software, is possible as well.

Data logger function:

IZAR RC i W R4 has an integrated data logger that registers consumption at a regular intervals. In case of consumer dispute or for analysis purposes, data is available via the IrDA interface of the module and is transferred to the handheld or computer/tablet via a dedicated application. By default, the consumption backup interval is set to 30 minutes in the module, ensuring up to 6 months of historical values. This interval can be modified thanks to the same dedicated application.

### TECHNICAL DATA

IZAR RC 868 i W R4	
Communication protocol	PRIOS
Frequency	MHz 868,95 (R3 mode) and 868,30 (R4 mode)
Modulation	FSK
Transmission power	mW 16
Transmission mode	Unidirectional
Radio range	Up to 500 m (R3 mode) and up to 1.5 km (R4 mode) depending on the environment
Standards	EN 300 220   CE   RED directive   EN13757-3/-4
Power supply	Lithium battery 3.6V
Battery lifetime	Up to 15 years*

\*Standard conditions of use and temperature. Theoretical lifetime, with no guarantee.

### AMBIENT CONDITIONS

IZAR RC 868 i W R4	
Ambiant operating temperature	°C -15 ... +55
Storage temperature	°C -20 ... +70
Ambient humidity	% 0 ... 100
Protection class	IP68

### CONFIGURATION

IZAR RC 868 i W R4	
Interface	Optical IrDA
Functions	Current index   Historical index value   Remaining battery lifetime   Integrated datalogging
Alarms management	Leak detection   Meter stopped   Overflow   Underflow   Backflow   Mechanical tampering

### DATA LOGGER

IZAR RC 868 i W R4	
Interface	IrDA + dedicated application working with handheld terminal and/or laptop computer/tablet
Management	In case of consumer dispute, the 30 minutes saving interval set by default provides an average of 6 month's consumption

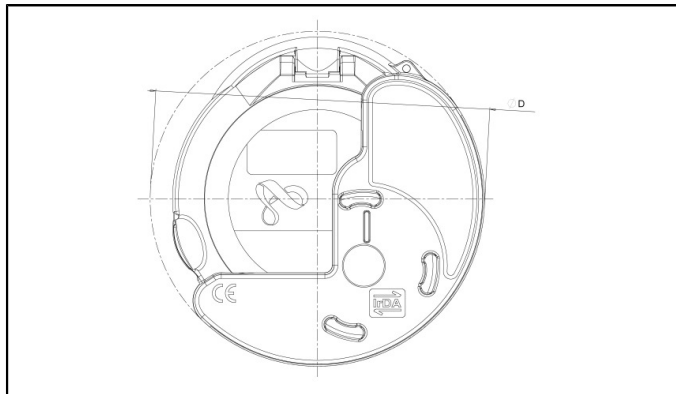
# IZAR RC 868 I W R4

## RADIO MODULE

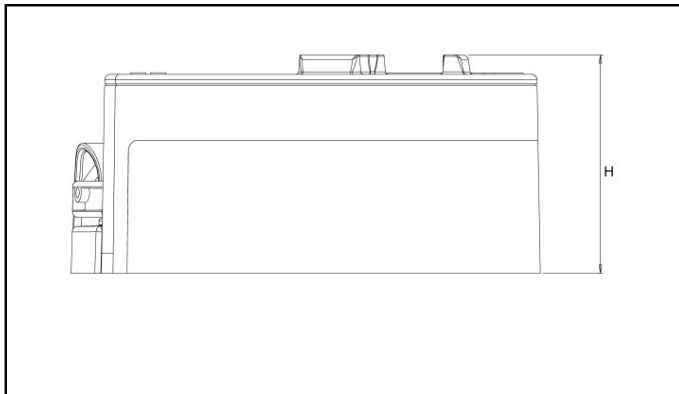
### COMPATIBILITY

IZAR RC 868 i W R4	
Meters	Diehl Metering inductive modular range Ha+Ti or Ti. Pulse weight: DN 15 to 40 (1 litre)   DN 50 to 125 (10 litres)   DN 150 to 300 (100 litres)

### DIMENSIONS



Top view



Side view

IZAR RC 868 i W R4			
Diameter	D	mm	90
Height	H	mm	40