

# AQUILA V3 DIN

SINGLE-JET METER

**DIEHL**  
Metering



## APPLICATION

AQUILA V3 DIN is a bulk water meter designed for network metering and invoicing substantial quantities of cold water.

It is characterized by its very high measuring dynamics, insensitivity to disturbance and easy maintenance. Its metrological performances outstand the regulation requirements for high and low flow rates alike. Developed within the framework of the MID, AQUILA V3 DIN complies with the European regulations and holds a sanitary conformity certificate.

AQUILA V3 DIN is modular and can be fitted at any time with an IZAR clip-on module converting it into a communicating meter.

## FEATURES

- ▶ DN50/80/100
- ▶  $Q_3=25\text{m}^3/\text{h}$  (DN50) /  $Q_3=63\text{m}^3/\text{h}$  (DN80) /  $Q_3=100\text{m}^3/\text{h}$  (DN100)
- ▶ MID approval up to  $R=315$
- ▶ Starting flowrate: 15 l/h (DN50) / 40 l/h (DN80) / 45 l/h (DN100)
- ▶ High dynamic range
- ▶ Glass/metal register
- ▶ Cast iron body

# AQUILA V3 DIN

## SINGLE-JET METER

### METROLOGICAL DATA

Nominal diameter	DN	mm	50	80	100
Length	L	mm	270	300	360
Nominal flowrate	Q <sub>3</sub>	m <sup>3</sup> /h	25	63	100
R standard*	Q <sub>3</sub> /Q <sub>1</sub>		315	315	315
Starting flowrate		l/h	15	40	45
Minimum flowrate	Q <sub>1</sub>	l/h	80	200	317
Transition flowrate	Q <sub>2</sub>	l/h	127	320	508
Maximum flowrate	Q <sub>4</sub>	m <sup>3</sup> /h	31.25	78.75	125
Overload		m <sup>3</sup> /h	40	100	150
Head loss at Q <sub>3</sub>		bar	0.482	0.440	0.592
Head loss at Q <sub>4</sub>		bar	0.754	0.687	0.925
kvs (deltaP=Q <sup>2</sup> /Kvs <sup>2</sup> )			36	95	130

\* Other values on request

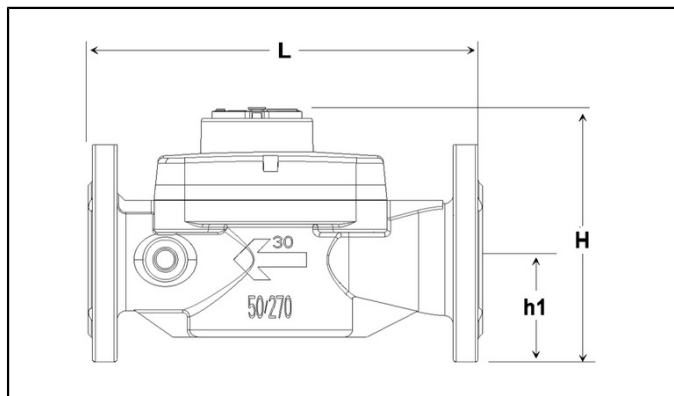
### APPROVAL

AQUILA V3 DIN	
MID approval	LNE-26943   Type C2
Sanitary conformity	ACS

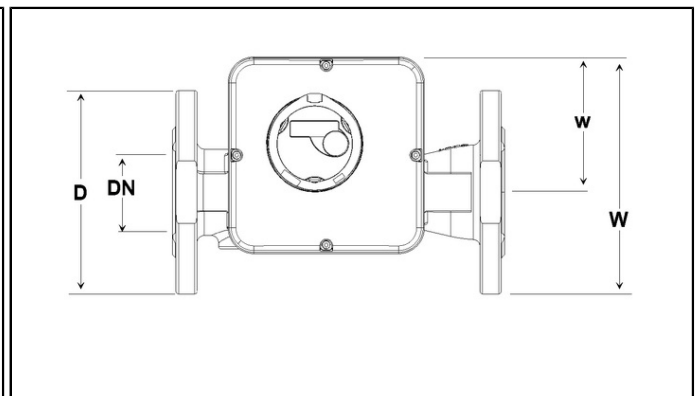
### TEMPERATURE AND PRESSURE

AQUILA V3 DIN	
Water temperature	°C 0.1 ... +50
Ambient operating temperature	°C +1 ... +55
Storage temperature	°C -20 ... +70
Nominal pressure	bar 16
Breaking pressure	bar 62

### DIMENSIONS



Front view



Top view

Nominal diameter	DN	mm	50	80	100
Length	L	mm	270	300	360
Width	w	mm	110	163	155
Width	W	mm	193	263	265
Height	H	mm	177	218	230
Height	h1	mm	70	95	105
Body			cast iron	cast iron	cast iron
Weight		kg	12.5	21	28
Flange diameter	D	mm	165	200	220

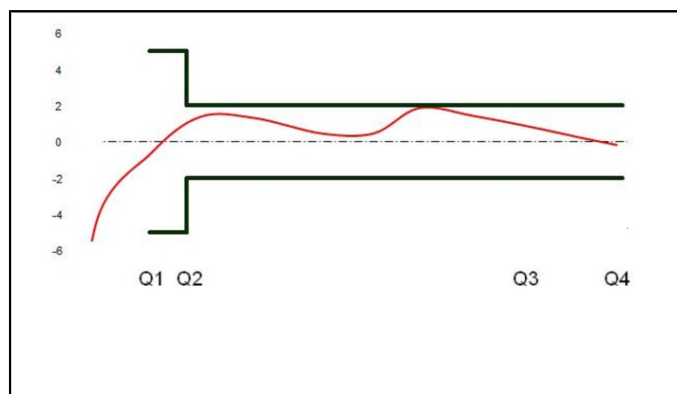
Standard flange: flat raised face flange

Diehl Metering S.A.S. – Head Office • 67 rue du Rhône • BP 10160 • FR-68304 Saint-Louis Cedex • Tel. + 33 (0)3 89 69 54 00 • Fax: + 33 (0)3 89 69 72 20 • info-dmfr@diehl.com • www.diehl.com/metering  
 International Sales • 67 rue du Rhône • BP 10160 • FR-68304 Saint-Louis Cedex • Tel. + 33 (0)3 89 69 54 21 • Fax: + 33 (0)3 89 69 54 22 • export-dmfr@diehl.com  
 Subject to technical adjustments

# AQUILA V3 DIN

SINGLE-JET METER

## PRECISION CURVE



This technology doesn't require straight length