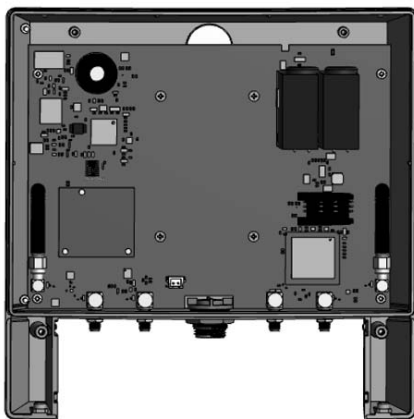
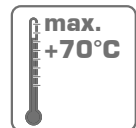
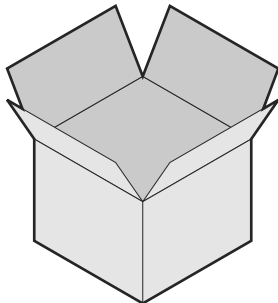


# IZAR RDC VEHICLE

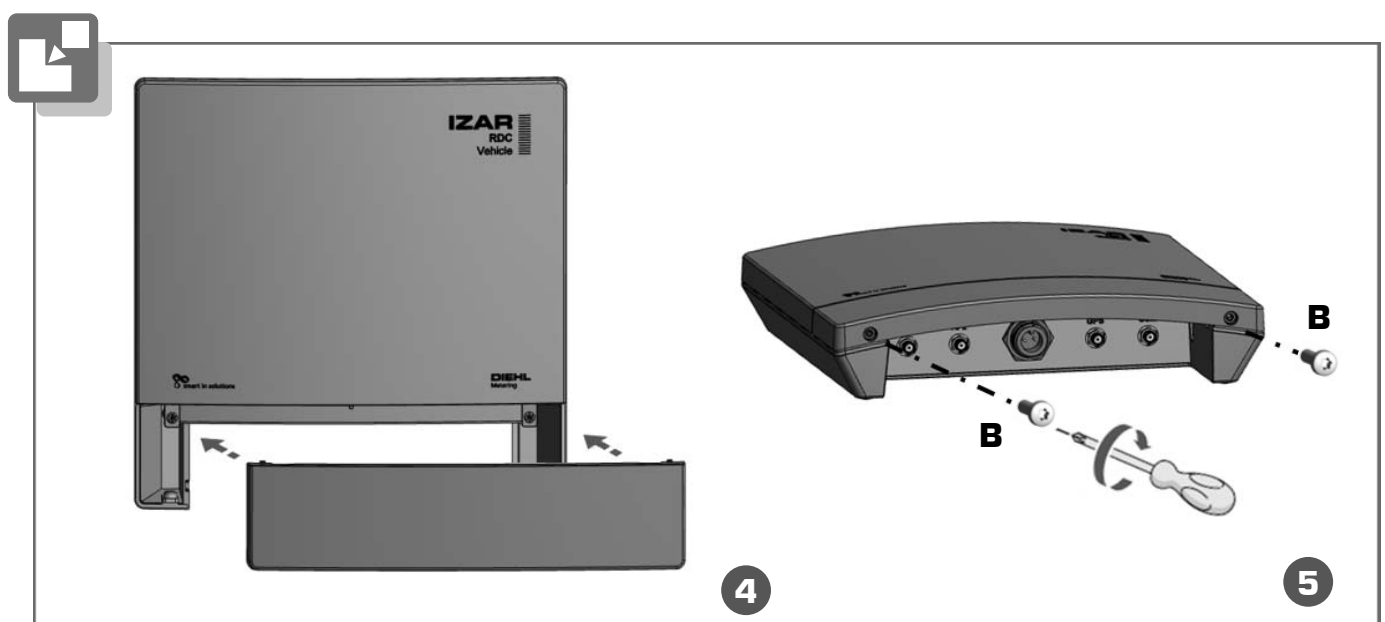
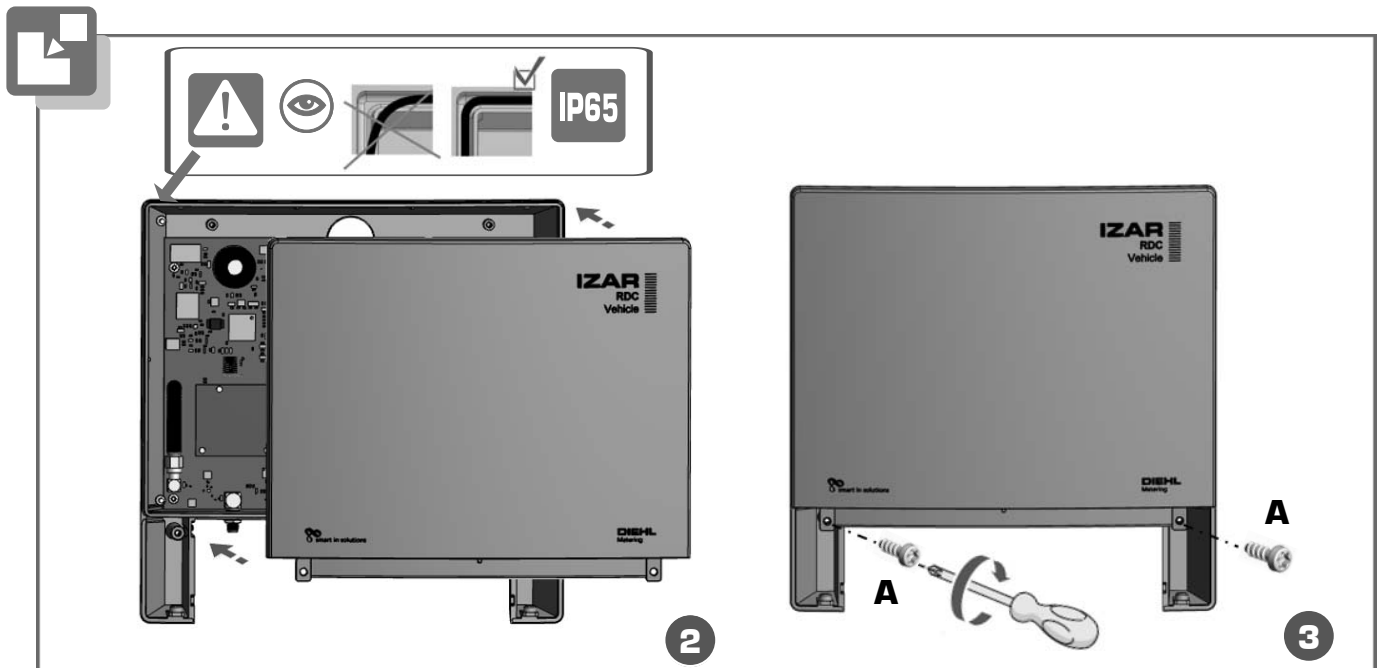
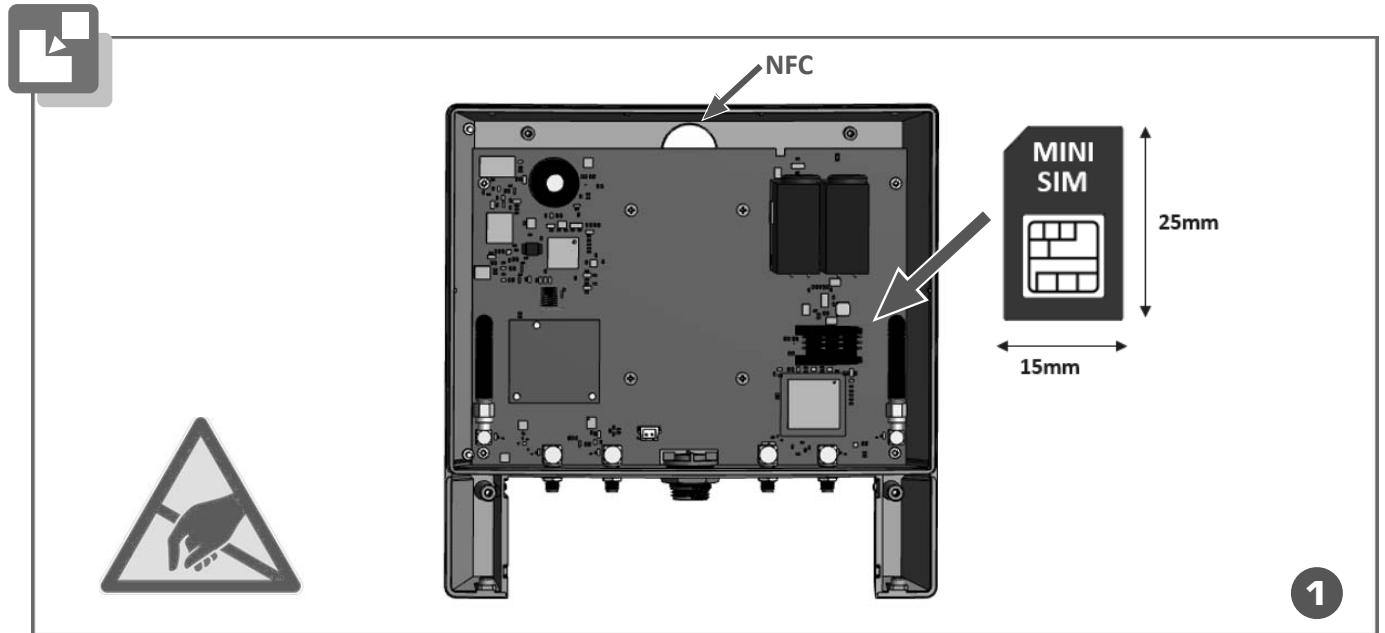
**DIEHL**  
Metering



**i**



# IZAR RDC VEHICLE



# IZAR RDC VEHICLE

www.bulgin.com

400 series | 🔍

**Bulgin Connector**  
400 Series Buccaneer

terminal 1: +  
terminal 2: -

**IZAR RDC VEHICLE**

SUPPLY 12/24V

terminal -: -  
terminal +: +

cable side / côté câble /  
Kabelseite / lado del cable

**6**

RF1 SMA

RF2 N/A

SUPPLY 12/24V

GPS SMA

GSM SMA

12/24 V DC  
22 VA

Option

Option

**7**

**IZAR RDC VEHICLE**

Installation inside the vehicle / Installation à l'intérieur du véhicule /  
Installation im Fahrzeug / Instalación dentro del vehículo

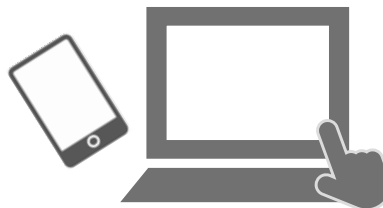
**8**

# IZAR RDC VEHICLE

**PROG**



IZAR@RDCBV Config



## Open Source Software Notice

This product contains open source software components. The use and distribution of any open source software is governed by respective terms and conditions of the applicable open source license. By using this product, you acknowledge that you have reviewed such license terms and notices, and you agree to be obliged by these terms. Please ensure that you get yourself familiar with the licenses terms and conditions before using this product. The complete license terms are included in the appendix of the product's user manual, which is available on Diehl Metering website: <https://www.diehl.com/metering/en/support-center/download-center/> DIEHL Metering is eager to comply with all requirements set by various free or open source software licenses. For any inquiries related to open source software, please send an email to [oss-dmde@diehl.com](mailto:oss-dmde@diehl.com) or write a letter to DIEHL Metering GmbH, Industriestr. 13, 91522 Ansbach, Germany, with subject "Open Source Software", respectively.



**BLE MAC address / adresse MAC du BLE / BLE MAC-Adresse / BLE direccion MAC**

