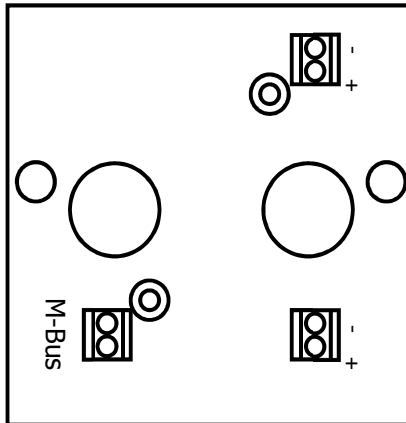


IZAR PORT® PULSE MINI Pulse to M-Bus Converter

Installation



Inputs P1, P2: 2 x contact input
(Reed contact, Open Collector)

M-Bus-output: DIN EN 1434-4
300, 2400 baud
Autodetect

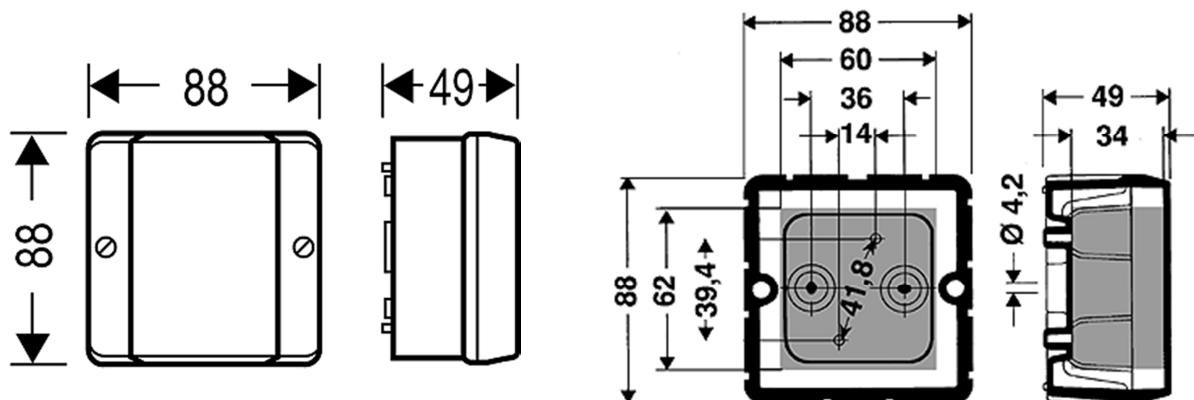
Note: The IZAR PORT PULSE MINI device may only be installed and operated by trained personnel.

Mounting and Dismounting

The IZAR PORT PULSE MINI is prepared for wall fixing. Therefore you need two holes in a distance of 36mm on a plane surface.

Mounting: Remove the housing cover and fix the IZAR PORT PULSE MINI on the wall with the aid of the two long holes. Re-mount the housing cover after electrical connection.

Dismounting: Remove the housing cover and release the wall fixing screws.



Electrical connection

For electrical connection you have to remove the housing cover of the IZAR PORT PULSE MINI device.

- Connection:** Conduct the M-Bus- und and contact cables through the caoutchouc covers. Therefore you have to drill carefully a hole in the middle of the covers.
- Important:**
- Connect only voltage-free contacts to the contact inputs (P1+, P1-, P2+, P2), e.g. Reed contacts or open collector transistors. The length of the pulse cables is limited to 1,5m.
 - The M-Bus input (M-Bus) and the contact inputs (only Reed contacts) (P1+, P1-, P2+, P2-) are polarity independent. Use correct polarity for connecting open collector transistors to the contact inputs.
 - The IZAR PORT PULSE MINI device counts pulses by connecting the contact inputs with a minimum pulse width of 7,5ms (= maximum pulse frequency ca. 50 Hz).

Note: The IZAR PORT PULSE MINI device has got a backup battery which ensures pulse accumulation even if the M-Bus power supply fails. The maximum possible time without M-Bus power supply depends on the pulse frequency and ranges from 3 months (pulse frequency > 50 Hz) to more than 5 years (pulse frequency = 0Hz).

During operation time the IZAR PORT PULSE MINI device must always be connected to the M-Bus.

Client support

A complete technical documentation and further information is available on our homepage

Support:	Diehl Metering GmbH Industriestraße 13 91522 Ansbach Deutschland	Phone: +49 981 1806 0 Fax: +49 981 1806 605 Email: info-dmde@diehl.com Internet: www.diehl.com/metering
-----------------	---	--

Configuration example

