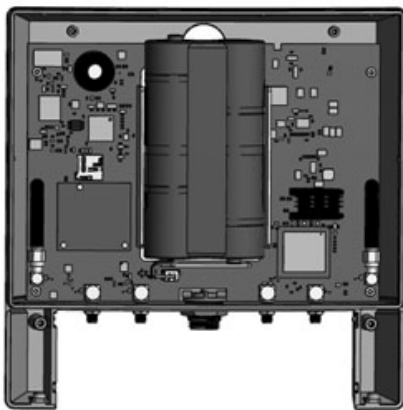
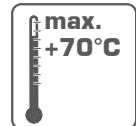
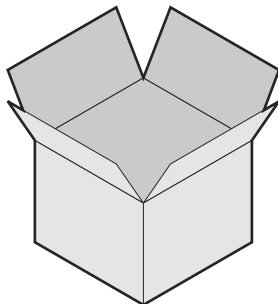
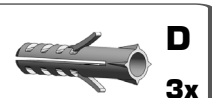
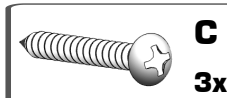
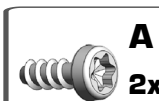
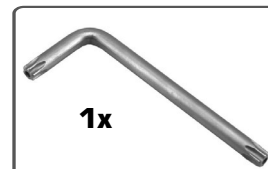


IZAR RDC BATTERY/Light

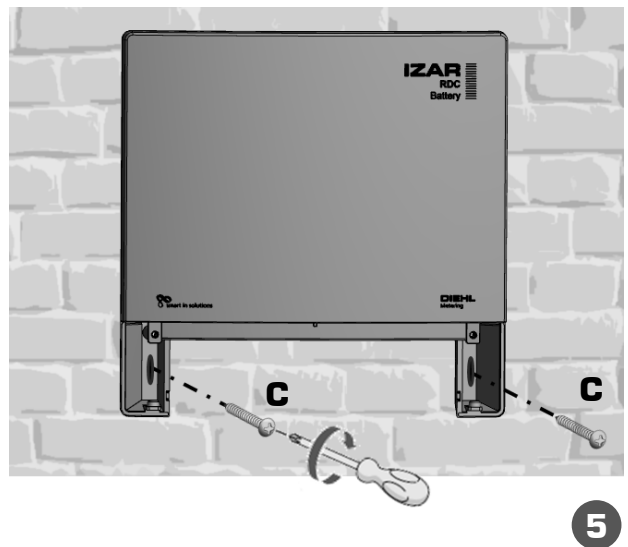
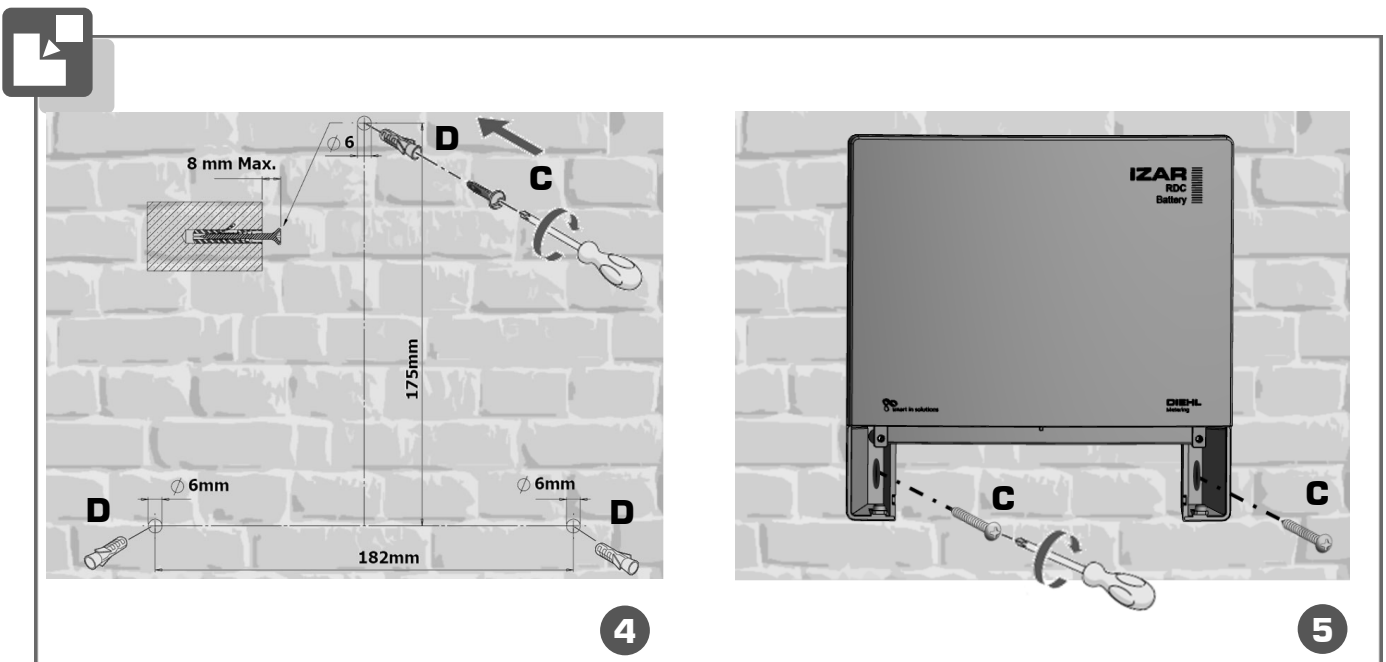
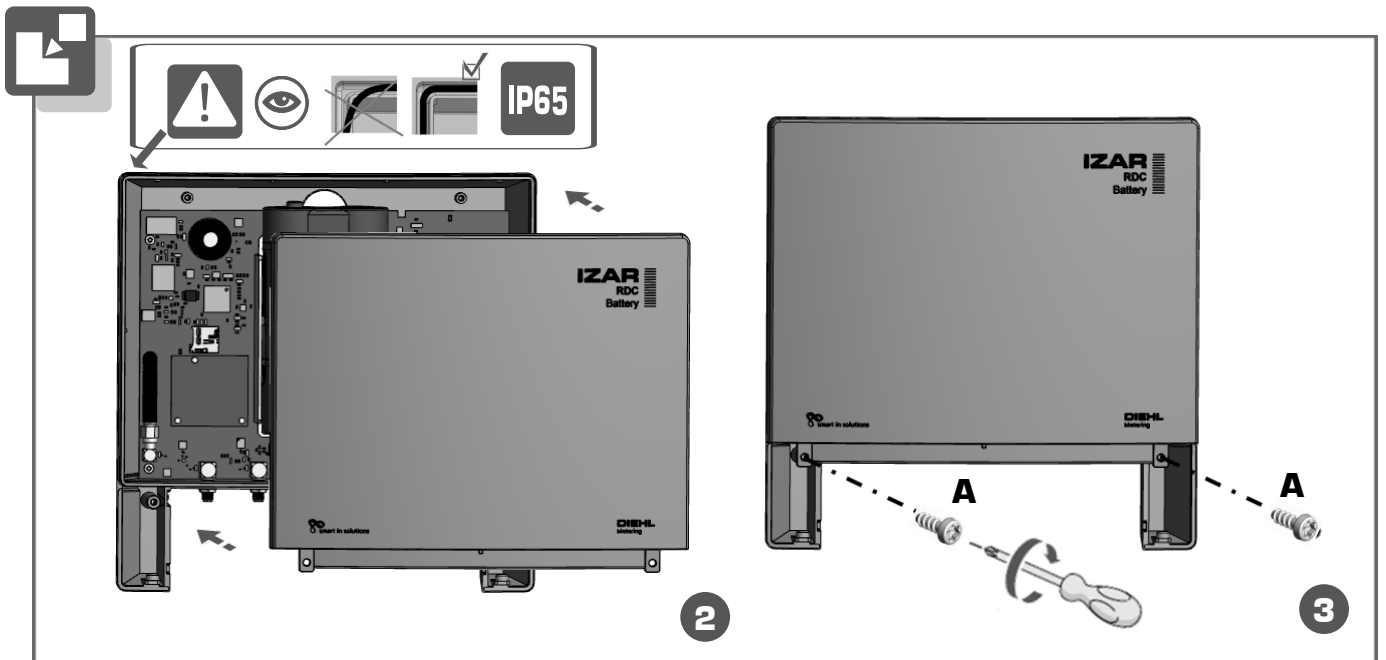
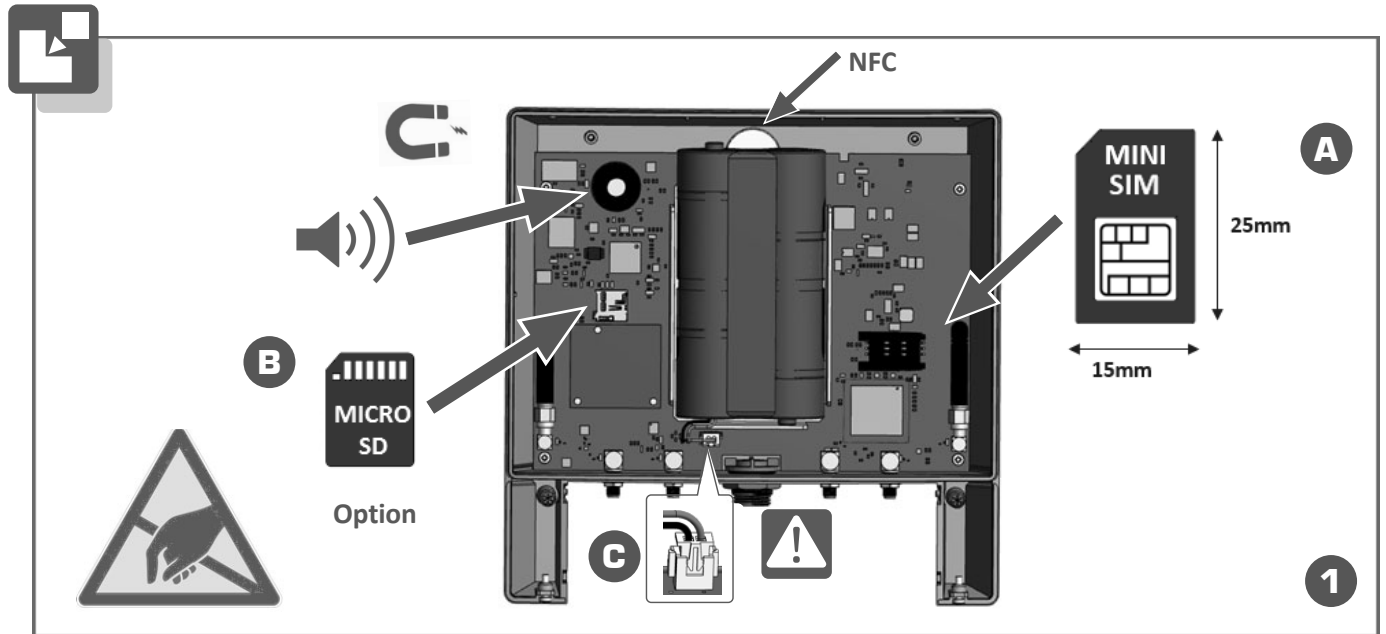
DIEHL
Metering



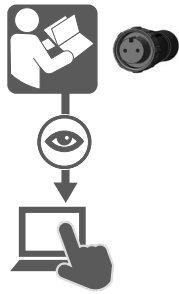
1x



IZAR RDC BATTERY/Light

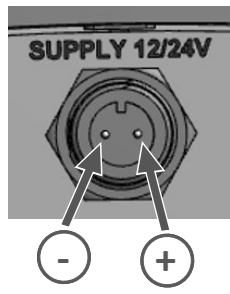


IZAR RDC BATTERY/Light



www.bulgin.com

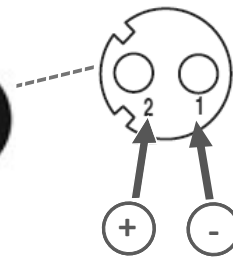
400 series | 🔍



IZAR RDC BATTERY

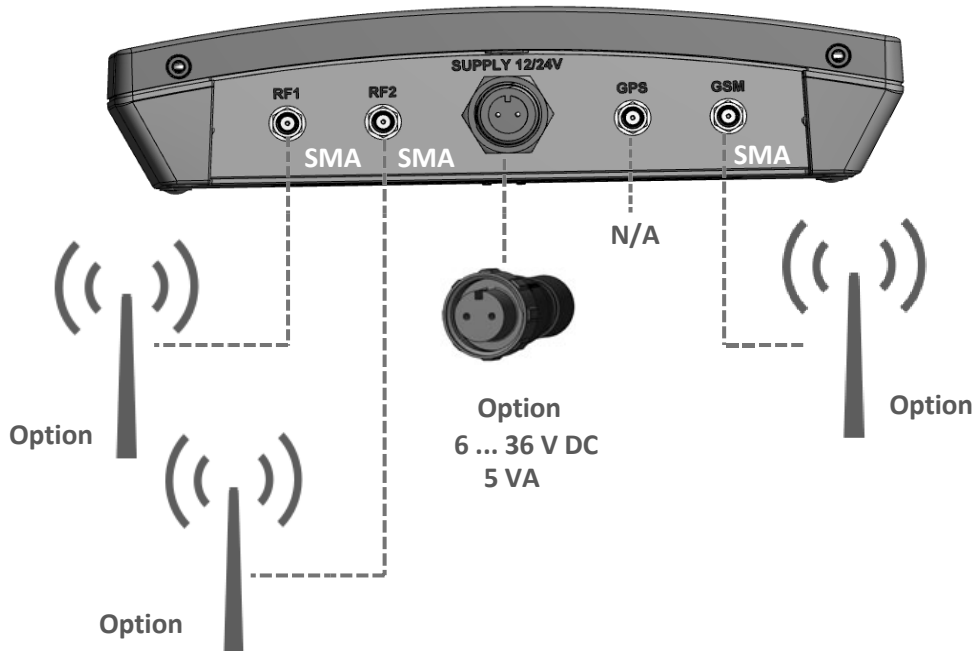


Bulgin Connector
400 Series Buccaneer

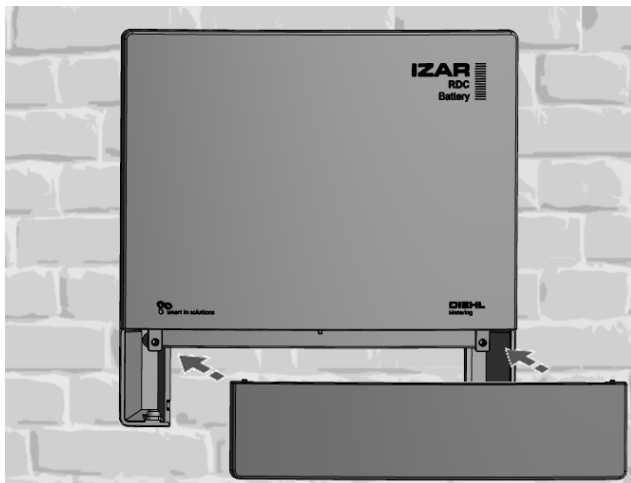


cable side / côté câble /
Kabelseite / lado del cable

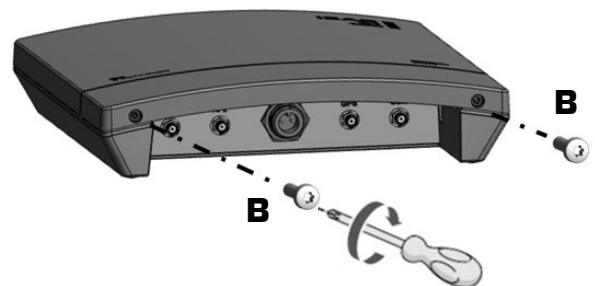
6



7

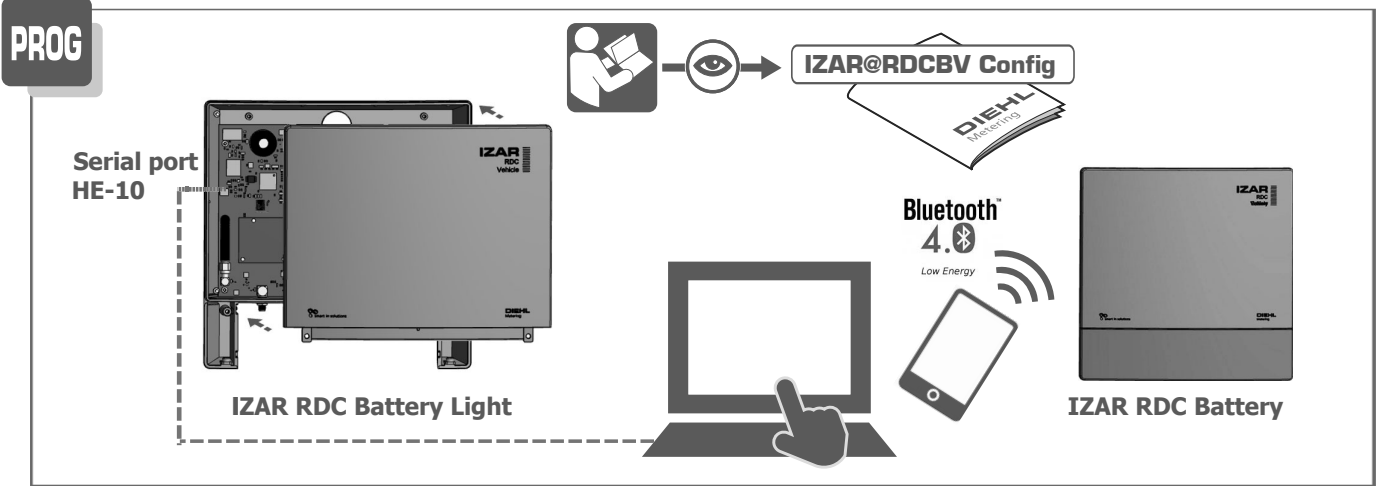


8



9

IZAR RDC BATTERY/Light



Open Source Software Notice

This product contains open source software components. The use and distribution of any open source software is governed by respective terms and conditions of the applicable open source license. By using this product, you acknowledge that you have reviewed such license terms and notices, and you agree to be obliged by these terms. Please ensure that you get yourself familiar with the licenses terms and conditions before using this product. The complete license terms are included in the appendix of the product's user manual, which is available on Diehl Metering website: <https://www.diehl.com/metering/en/support-center/download-center/>

DIEHL Metering is eager to comply with all requirements set by various free or open source software licenses. For any inquiries related to open source software, please send an email to oss-dmde@diehl.com or write a letter to DIEHL Metering GmbH, Industriestr. 13, 91522 Ansbach, Germany, with subject "Open Source Software", respectively.

i

ID number / numéro ID
ID-Nummer / Número ID

IZAR RDC Battery

IZAR RDC BATTERY 868 light
P/N : 3082137
REF : WG0611 - A02 - D02
S/N : AS17120321

Li-SOCl₂ IP65

M100B87190045
IMEI : 89331032161871900457
Version : 03

DIEHL Metering smart in solutions

i

↑↑

IP65

max. +70°C

min. -20°C

!

!

UP TO 10 YEARS

UP TO 10 YEARS

↓

↓