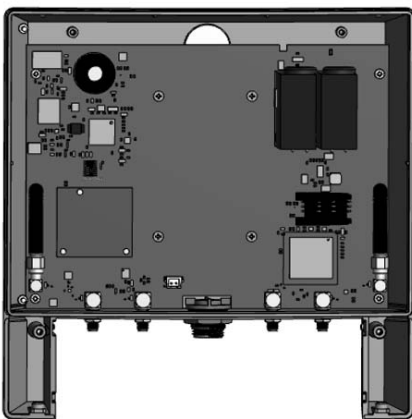
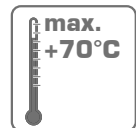
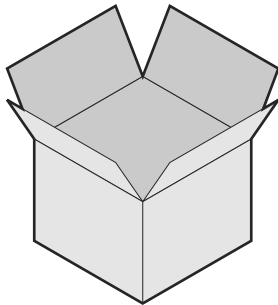


IZAR RDC VEHICLE

DIEHL
Metering



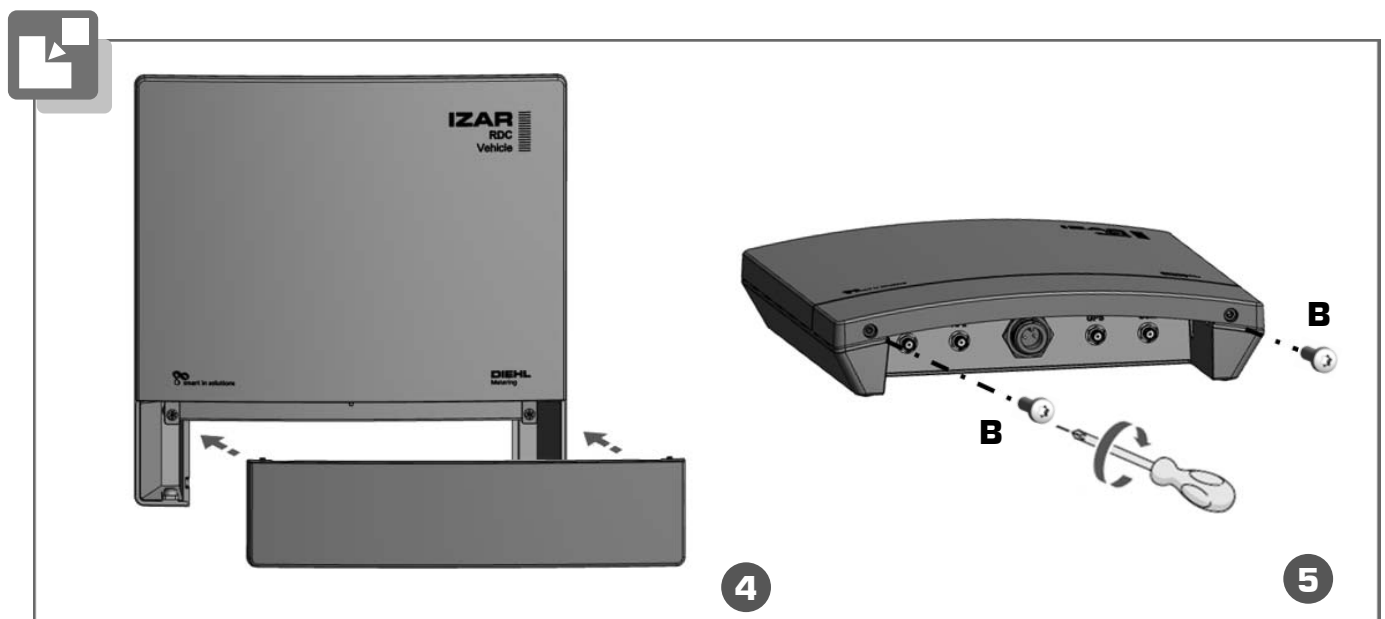
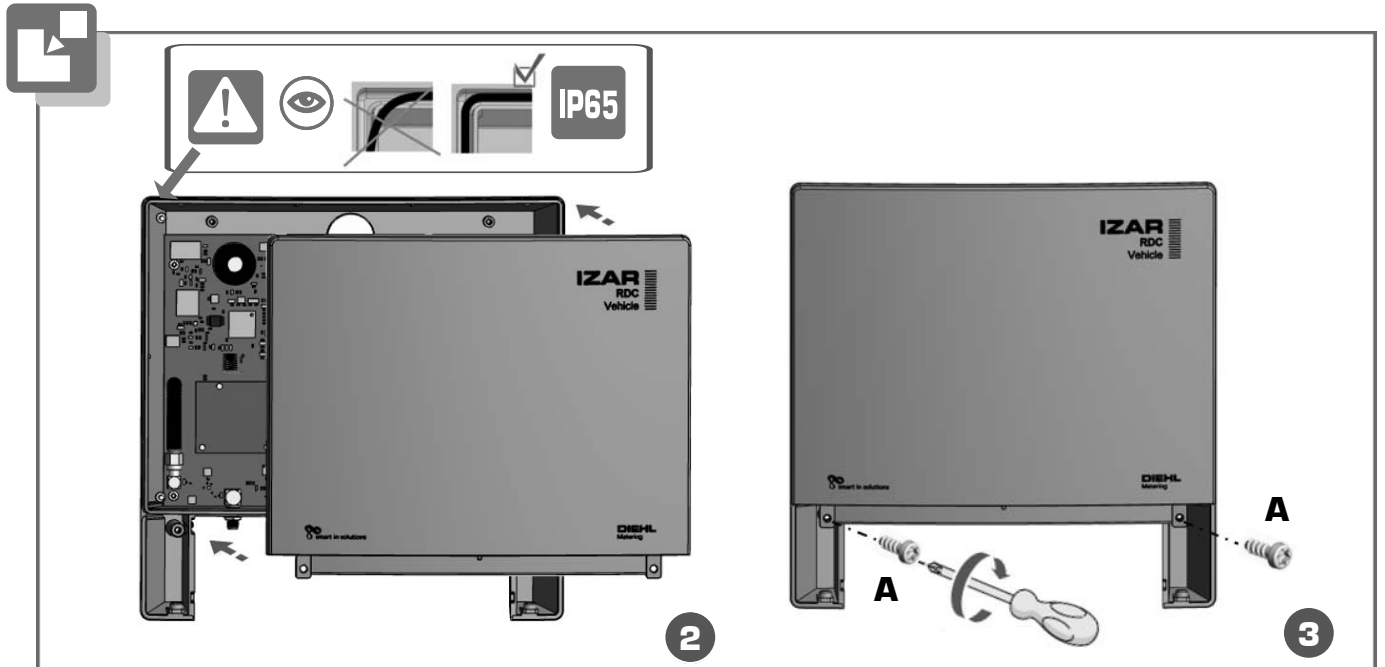
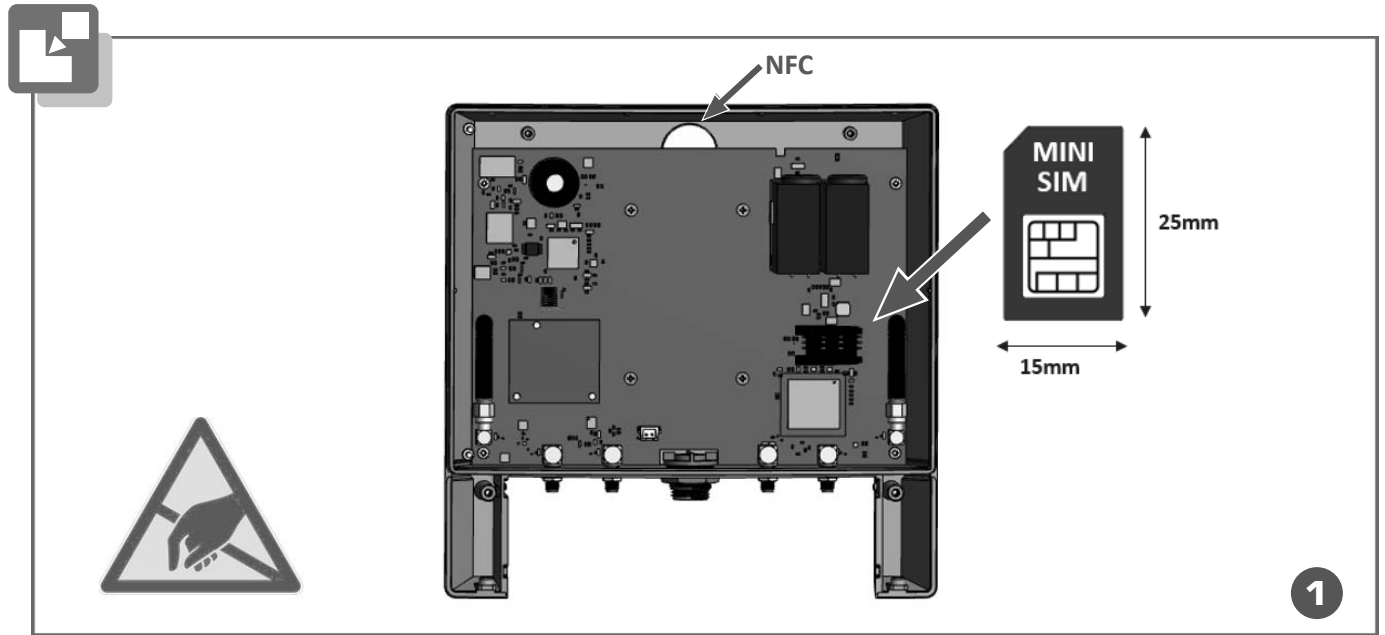
i



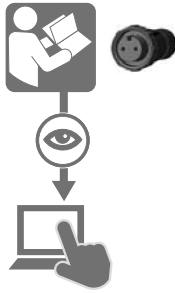
1x



IZAR RDC VEHICLE

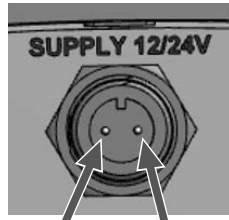


IZAR RDC VEHICLE



www.bulgin.com

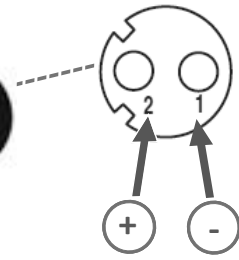
400 series | 🔍



IZAR RDC VEHICLE

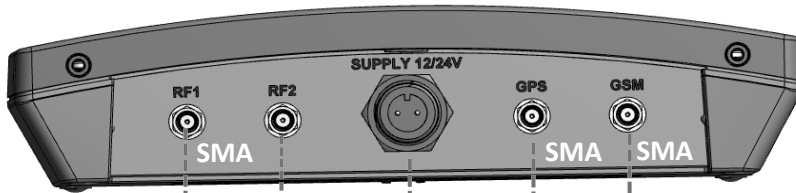


Bulgin Connector
400 Series Buccaneer



cable side / côté câble /
Kabelseite / lado del cable

6



N/A



12/24 V DC
22 VA



Option



Option

7



Installation inside the vehicle / Installation à l'intérieur du véhicule /
Installation im Fahrzeug / Instalación dentro del vehículo

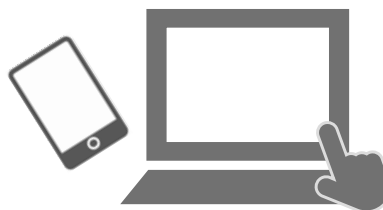
8

IZAR RDC VEHICLE

PROG



IZAR@RDCBV Config



Open Source Software Notice

This product contains open source software components. The use and distribution of any open source software is governed by respective terms and conditions of the applicable open source license. By using this product, you acknowledge that you have reviewed such license terms and notices, and you agree to be obliged by these terms. Please ensure that you get yourself familiar with the licenses terms and conditions before using this product. The complete license terms are included in the appendix of the product's user manual, which is available on Diehl Metering website:

<https://www.diehl.com/metering/en/support-center/download-center/>

DIEHL Metering is eager to comply with all requirements set by various free or open source software licenses. For any inquiries related to open source software, please send an email to oss-dmde@diehl.com or write a letter to DIEHL Metering GmbH, Industriestr. 13, 91522 Ansbach, Germany, with subject "Open Source Software", respectively.



BLE MAC address / adresse MAC du BLE / BLE MAC-Adresse / BLE direccion MAC

