

# CORONA DP 405

MULTI-JET METER | DRY RUNNER

**DIEHL**  
Metering



## APPLICATION

Contact water meter for proportional control of pumps, motors, etc. and for remote transmission of flow rates.

## FEATURES

- ▶ Multi-jet impeller meter in completely dry-running design with magnetic coupling
- ▶ Only the impeller operates in the wet chamber to prevent faults due to sediment
- ▶ Counter can be rotated to any position for easy reading
- ▶ Built-in pulse contact (with cable 2 m) cast in a waterproof enclosure and easily replaceable
- ▶ Max. contact load 24 V (SELV) 0.2 A
- ▶ The outlet is prepared for installing a non-return valve (DVGW approved)
- ▶ Special version hard nickel-plated available

# CORONA DP 405 Meter for horizontal pipes

## MULTI-JET METER | DRY RUNNER

### GENERAL

		Meter for horizontal pipes	
Medium temperature range	°C	1 ... 30	
Temperature safety	°C	1 ... 90	
Ambient storage temperature	°C	1 ... 55	
Nominal pressure	PN bar	16	
Display range		0.05 l ... 99,999 m <sup>3</sup>	
Pulse value	l/pulse	0.25 <sup>1</sup> , 0.5 <sup>1</sup> , 1, 2.5, 10, 100 <sup>2</sup> , 1000 <sup>2</sup>	
Pulse transmitter		Reed switch sealed (opener)	
Max. contact load	V	24 (without contact protection device)	
Max. contact load	A	0.2 (without contact protection device)	
Protection class		IP 65	

<sup>1</sup> not available for DN 40

<sup>2</sup> with MID approval only 100 or 1000 l/pulse

### TECHNICAL DATA

Nominal diameter	DN	mm	20	25 <sup>3</sup>	25 <sup>3</sup>	25	40
Permanent flow rate	Q <sub>3</sub>	m <sup>3</sup> /h	4	4	6.3	6.3	16
Overall length (DIN ISO 4064)	L	mm	190	175	175	260	300
Overload flow rate	Q <sub>4</sub>	m <sup>3</sup> /h	5	5	7.88	7.88	20
Transitional flow rate	Q <sub>2</sub>	l/h	160	160	253	253	640
Minimum flow rate	Q <sub>1</sub>	l/h	100	100	158	158	400
Starting flow rate		l/h	20-25	20-25	40-50	40-50	60-70
Flow rate at 1 bar pressure loss		m <sup>3</sup> /h	7	7	12	12	24

<sup>3</sup> only without MID approval

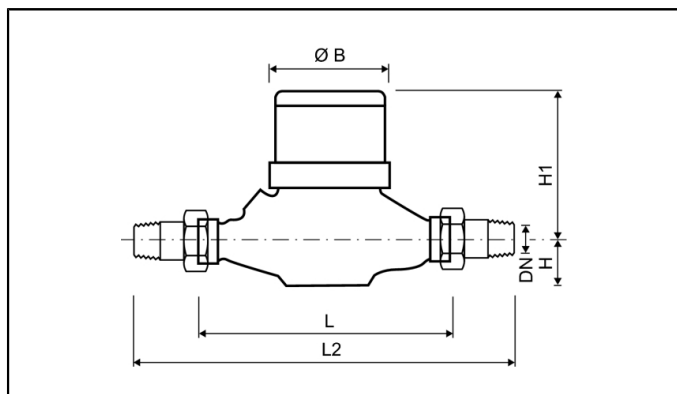
### APPROVAL

		Meter for horizontal pipes
MID		DE-16-MI001-PTB012
Dynamic range (Q <sub>3</sub> /Q <sub>1</sub> )	R	40 H
Potable water		KTW / W270

# CORONA DP 405 Meter for horizontal pipes

MULTI-JET METER | DRY RUNNER

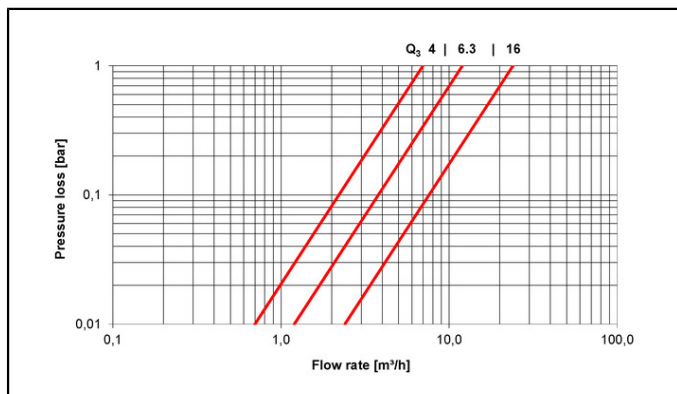
## DIMENSIONS



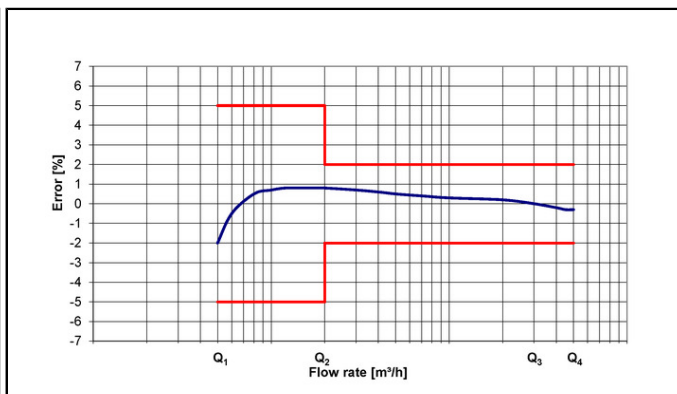
Nominal diameter	DN	mm	20	25 <sup>3</sup>	25 <sup>3</sup>	25	40
Permanent flow rate	Q <sub>3</sub>	m <sup>3</sup> /h	4	4	6.3	6.3	16
Overall length (DIN ISO 4064)	L	mm	190	175	175	260	300
Overall length with coupling	L2	mm	288	275	275	378	438
Connection thread on meter (ISO 228/1)		Inch	G1B	G1¼B	G1¼B	G1¼B	G2B
Connection thread of coupling (DIN 2999)		Inch	R¾	R1	R1	R1	R1½
Height	H	mm	35	45	45	45	50
Height	H1	mm	120	125	125	125	140
Diameter	Ø B	mm	96	102	102	102	137
Weight without coupling		kg	1.7	2.5	2.5	2.5	4.7
Weight with coupling		kg	2.1	3.1	3.1	3.1	5.9

<sup>3</sup> only without MID approval

## PRESSURE LOSS GRAPH / TYPICAL ERROR GRAPH



Pressure loss graph



Typical error graph

# CORONA DP 405 Meter for rising pipes

MULTI-JET METER | DRY RUNNER

## GENERAL

Meter for rising pipes		
Medium temperature range	°C	1 ... 30
Temperature safety	°C	1 ... 90
Ambient storage temperature	°C	1 ... 55
Nominal pressure	PN bar	16
Display range		0.05 l ... 99,999 m <sup>3</sup>
Pulse value	l/pulse	0.25 <sup>1</sup> , 0.5 <sup>1</sup> , 1, 2.5, 10, 100, 1000
Protection class		IP 65

<sup>1</sup> not available for DN 40

Note: only without MID approval

## TECHNICAL DATA

Nominal diameter	DN	mm	20	25	40
Permanent flow rate	Q <sub>3</sub>	m <sup>3</sup> /h	4	6.3	16
Overall length (DIN ISO 4064)	L	mm	105	150	200
Overload flow rate	Q <sub>4</sub>	m <sup>3</sup> /h	5	7.88	20
Transitional flow rate	Q <sub>2</sub>	l/h	160	253	640
Minimum flow rate	Q <sub>1</sub>	l/h	100	158	400
Starting flow rate		l/h	20-25	40-50	60-70
Flow rate at 1 bar pressure loss		m <sup>3</sup> /h	6	12	22

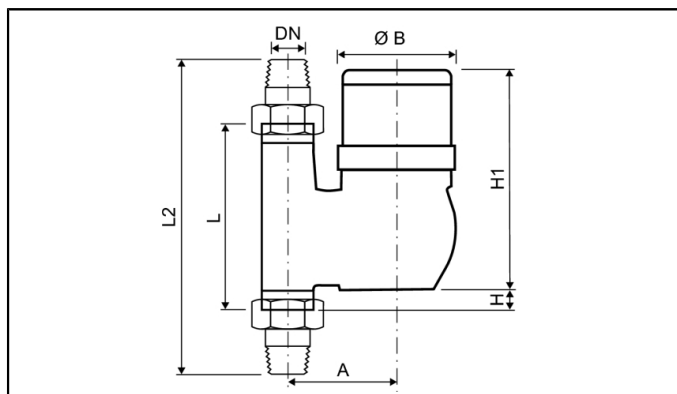
## APPROVAL

Meter for rising pipes		
MID		-
Dynamic range (Q <sub>3</sub> /Q <sub>1</sub> )	R	40 H
Potable water		KTW / W270

# CORONA DP 405 Meter for rising pipes

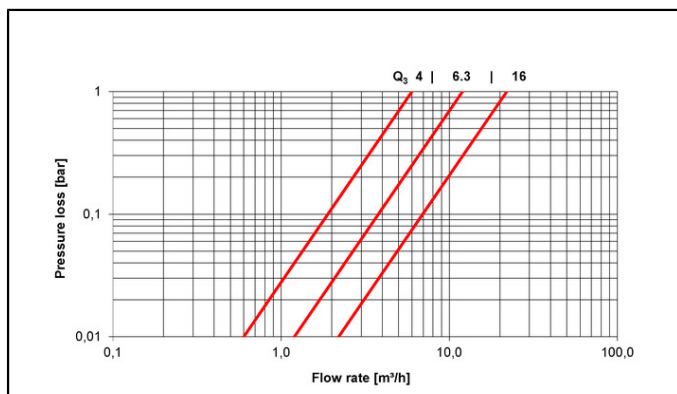
MULTI-JET METER | DRY RUNNER

## DIMENSIONS

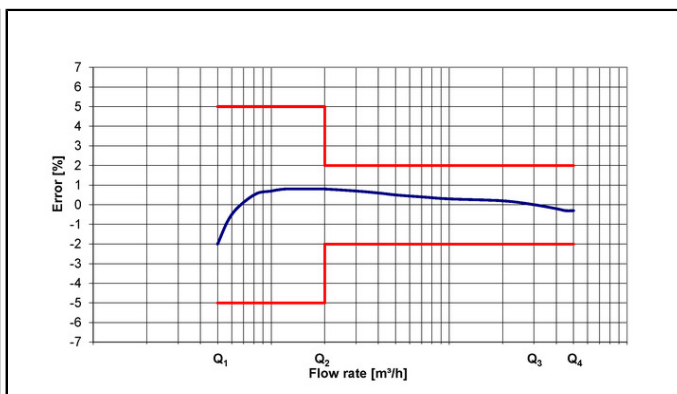


Nominal diameter	DN	mm	20	25	40
Permanent flow rate	$Q_3$	m <sup>3</sup> /h	4	6.3	16
Overall length (DIN ISO 4064)	L	mm	105	150	200
Overall length with coupling	L2	mm	203	268	338
Connection thread on meter (ISO 228/1)		Inch	G1B	G1¼B	G2B
Connection thread of coupling (DIN 2999)		Inch	R¾	R1	R1½
Height	H	mm	15	32	22
Height	H1	mm	154	165	177
Diameter	Ø B	mm	96	102	136
Width	A	mm	82	95	120
Weight without coupling		kg	2.1	3.1	5.5
Weight with coupling		kg	2.5	3.7	6.7

## PRESSURE LOSS GRAPH / TYPICAL ERROR GRAPH



Pressure loss graph



Typical error graph