

IZAR RADIO EXTERN TEMPERATURE

RADIO MODULE

DIEHL
Metering



APPLICATION

IZAR RE TEMP radio generation operates under RealData protocol (Wireless M-Bus) at a frequency of 868 MHz. This radio is equipped with a temperature sensor with a wide measuring range (-55°C to +125°C). IZAR RE TEMP radio comes fully programmed and ready to use with an identification number. IZAR RE TEMP radio transmits the ambient as well as the minimal, maximal and average temperature over the last 6-hours period. IZAR RE TEMP can be read in mobile mode with a handheld computer together with an IZAR RECEIVER BT. In fixed network mode, reading is performed using either the IZAR RDC STANDARD/BATTERY or PREMIUM or the M-Bus IZAR CENTER installation.

FEATURES

- ▶ Temperature sensor
- ▶ 868 MHz radio frequency
- ▶ RealData protocol (Wireless-MBus)
- ▶ Battery lifetime up to 12 years
- ▶ IP 68
- ▶ Ambient temperature
- ▶ Lowest, highest, average temperature

IZAR RADIO EXTERN TEMPERATURE

RADIO MODULE

PRINCIPLE OF OPERATION

IZAR RE 868 TEMP includes a temperature sensor that records current, lowest, highest and average temperature on a 6-hours period. This radio can be read through walk-by/drive-by or fixed network and is 100 % compatible with RealData (Wireless MBus) protocol. IZAR RE 868 TEMP enables the control of leak on the overheated water network and the detection of breaks in the cold chain.

TECHNICAL DATA

IZAR RE 868 TEMP	
Communication protocol	Real Data (Wireless M-BUS)
Frequency	MHz 868.95
Modulation	FSK
Transmission power	mW 16
Transmission mode	Unidirectional
Radio range	Up to 500 m depending on the environment
Approval	EN 300 220, CE, RED directive, EN 13757-3/-4
Power supply	1 fixed lithium battery 3.6 V
Typical life	Up to 12 years *

*Under standard conditions of use and temperatures. Theoretical life, not guaranteed.

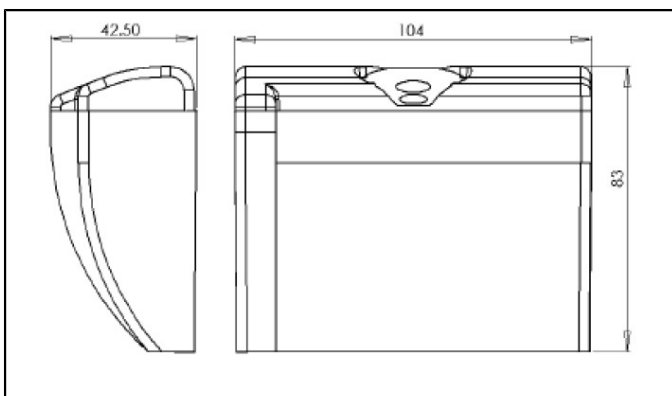
AMBIENT CONDITIONS

IZAR RE 868 TEMP	
Sensor operating temperature	°C -55 ... +125
Module operating temperature	°C -15 ... +55
Sensor sensibility	°C -10 ... +85 -> +/-0.5 / -55 ... -10 and +85 ... +125 -> +/-2
Cable length	cm 30
Humidity	% 0 ... 100
Protection class	IP 68
Storage temperature	°C -20 ... +70

PROGRAMMING

IZAR RE 868 TEMP	
Interface	Optical IrDA

DIMENSIONS



IZAR RE 868 TEMP	
Length	mm 104
Height	mm 42.5
Width	mm 83