

CORONA ST 130

Multi-Jet Meter | Stand Pipe

DIEHL
Metering



APPLICATION

For metering small amounts of water consumption, e.g. for funfairs, market gardens, gardens and building sites.

Attachment for underground hydrants to DIN 3221

FEATURES

- ▶ Stand pipe meter with multi-jet rising pipe meter wet runner CORONA Q₃ 4 / 10 / 16 m³/h
- ▶ Reliable riser pipe meter with strainer insert in inlet
- ▶ With non-return valve according to DIN 3269 (at version without backflow preventer)
- ▶ Stand pipe made of V2A (catch made of brass)
- ▶ V2A cone strainer installed in the pipe
- ▶ With inbuilt ventilation
- ▶ Available with backflow preventer

CORONA ST 130

Multi-Jet Meter | Stand Pipe

GENERAL

CORONA ST		
Medium temperature range	°C	0 ... 30
Temperature safety	°C	0 ... 50
Ambient operating temperature	°C	0 ... 55
Ambient storage temperature	°C	0 ... 55
Nominal pressure	PN bar	16
Display range		0.05 l ... 99,999 m ³
Approval		MID TH 8540
Dynamic range (Q ₃ /Q ₁)	R	R 80
Protection class		IP 68

VERSIONS



Version 1

Version 2

Version 3

Version 4

CORONA ST	
1 for Q ₃ 4 and 10 m ³ /h	2x drain valve with Geka-Plus-coupling, without backflow preventer
2 for Q ₃ 4 and 10 m ³ /h	2x drain valve with Geka-Plus-coupling, with backflow preventer
3 for Q ₃ 10 and 16 m ³ /h	1x drain valve with Geka-Plus-coupling and C-coupling, without backflow preventer
4 for Q ₃ 10 and 16 m ³ /h	1x drain valve with Geka-Plus-coupling and C-coupling, with backflow preventer

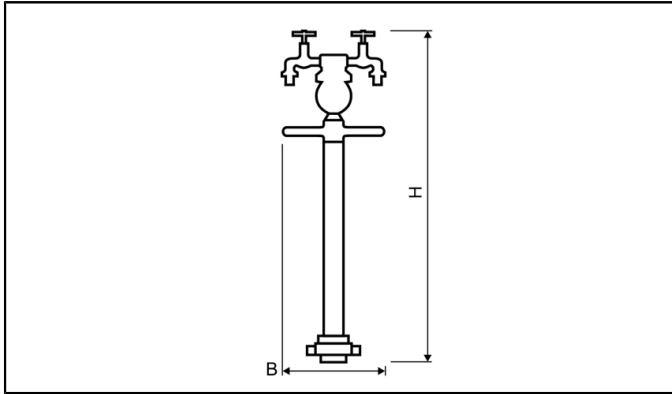
TECHNICAL DATA

Nominal flow rate	Q ₃	m ³ /h	4	10	16
Permissible continuous load (HY)		m ³ /h	5	12	20
Overload flow rate	Q ₄	m ³ /h	5	12	20
Transition flow rate	Q ₂	l/h	40	90	150
Minimum flow rate	Q ₁	l/h	25	40	80
Starting flow rate		l/h	4-6	6-8	20-25
Flow rate at 1 bar pressure loss		m ³ /h	6.5	12	24

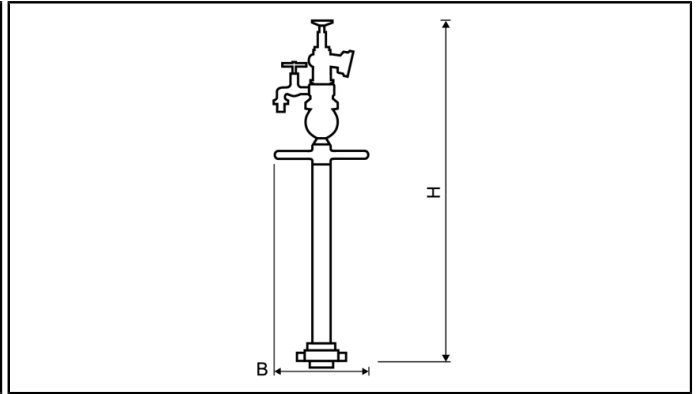
CORONA ST 130

Multi-Jet Meter | Stand Pipe

DIMENSIONS



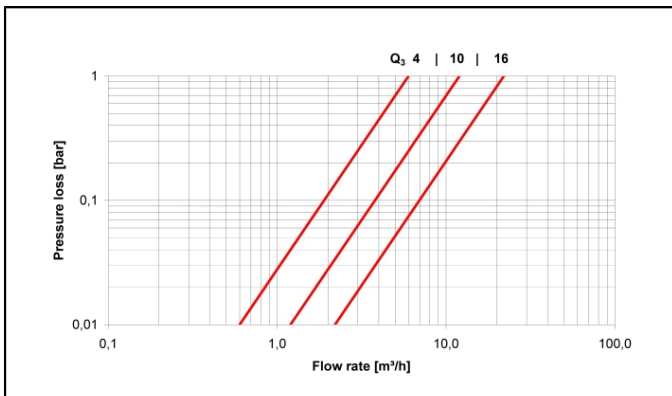
Version 1 and 2



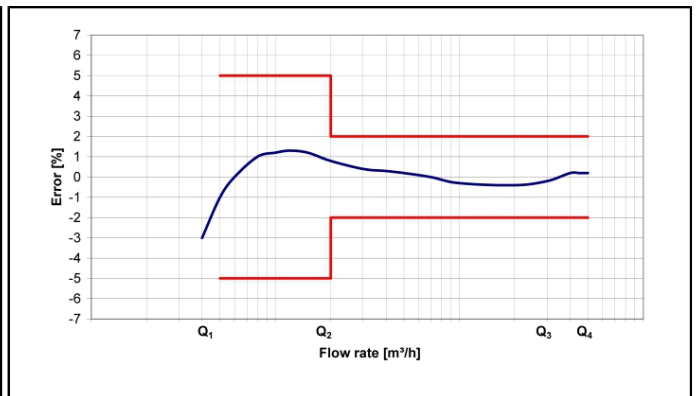
Version 3 and 4

Nominal flow rate	Q_3	m^3/h	4	10	16
Width	B	mm	300	300	330
VERSION 1					
Height	H	mm	950	1010	-
Weight		kg	13.4	14.9	-
VERSION 2					
Height	H	mm	950	1010	-
Weight		kg	14.2	15.7	-
VERSION 3					
Height	H	mm	-	1140	1200
Weight		kg	-	18.4	21.2
VERSION 4					
Height	H	mm	-	1140	1200
Weight		kg	-	22.1	24.9

PRESSURE LOSS GRAPH / TYPICAL ERROR GRAPH



Pressure loss graph



Typical error graph