

ALTAIR 90°C

Rotary Piston Meter

DIEHL
Metering



APPLICATION

ALTAIR 90°C is a volumetric hot water meter characterized by its versatility. Robust thanks to its large measuring chamber, ALTAIR 90°C is suitable for different types of water.

MID approved, ALTAIR 90°C offers high measuring dynamics, very low start flowrates and a low head loss. ALTAIR 90°C is compact and equipped with a stainless steel filter.

ALTAIR 90°C is modular and can be fitted with IZAR radio system, IZAR DOSING or the pulse transmitter IZAR PULSE, gateway to other systems.

FEATURES

- ▶ Start flowrate : 5l/h
- ▶ Max. temperature 90°C
- ▶ Installation in any position
- ▶ MID approved to R=200
- ▶ Register with "Ha+Ti" modularity
- ▶ Glass/Metal register in option
- ▶ DN 15
- ▶ High dynamic range

ALTAIR 90°C

Rotary Piston Meter

METROLOGICAL DATA

ALTAIR 90°C			
Nominal flowrate	Q ₃	m ³ /h	2.5
R*	Q ₃ /Q ₁		160
Start flowrate		l/h	5
Min. flowrate	Q ₁	l/h	15
Transition flowrate	Q ₂	l/h	25
Max. flowrate	Q ₄	m ³ /h	3.125

* Other values on request

APPROVAL

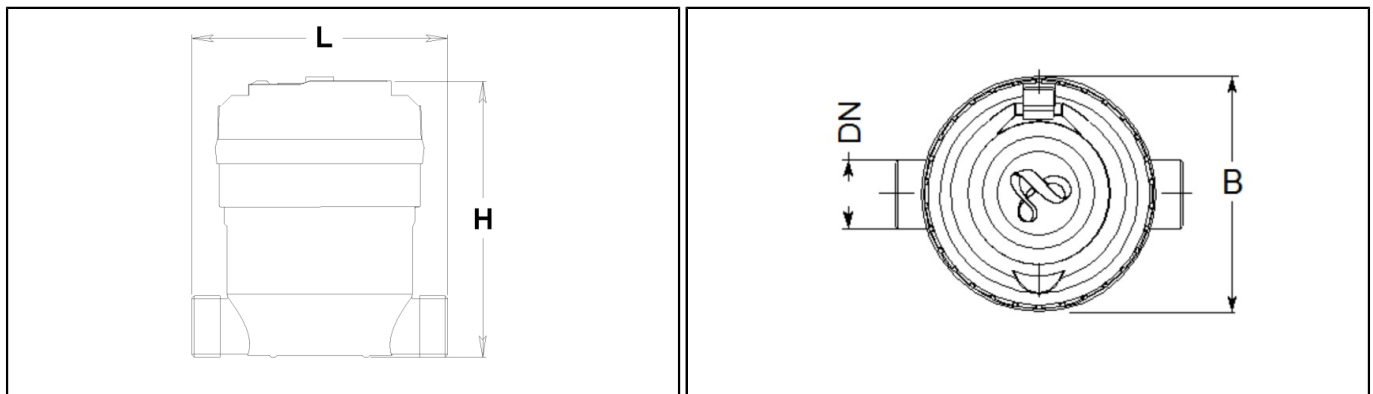
ALTAIR 90°C	
MID approval	R=160 any position*
Alimentarity	ACS

* Other values on request

TEMPERATURE AND PRESSURE

ALTAIR 90°C		
Medium temperature range	°C	0...+90
Nominal pressure	bar	16

DIMENSIONS

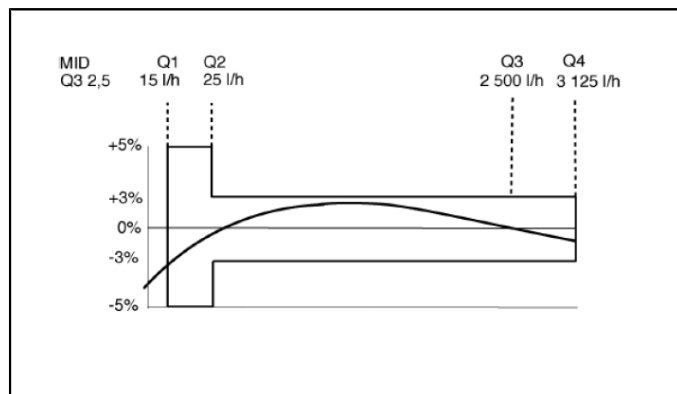


Nominal diameter	DN	mm	15	15
Length	L	mm	110	170
Width	B	mm	90	90
Height	H	mm	122	122
Thread connections	G	inch	3/4"	3/4"
Weight		kg	1.05	1.2

ALTAIR 90°C

Rotary Piston Meter

PRECISION CURVE



HEAD LOSS

	ALTAIR 90°C
kvs ($\Delta P = Q^2 / Kvs^2$)	4.24

OPTIONS

Pulse transmitter IZAR PULSE : 1 pulse/litre

Non-return valve - Connector pair - Glass/metal register