

AQUILA V4

Single-Jet Meter

DIEHL
Metering



APPLICATION

AQUILA V4 is a bulk meter designed for network metering or for invoicing substantial quantities of cold water.

It is characterised by its very high measuring dynamic, insensitivity to disturbance and easy maintenance.

AQUILA V4 is modular and can be fitted with IZAR radio or the pulse emitter IZAR PULSE, gateway to other systems. Its modular rotating flanges make for easy installation on all types of piping, even when resizing is necessary.

It has a CE certificate (MID) and complies with the EN 14154, OIML R49 and ISO 4054 standards in the horizontal position. However, its performance is largely superior to that required by the regulations, for high and low flow rates alike.

FEATURES

- ▶ Single jet meter
- ▶ MID approval up to R=630 (DN 80 & 100)
- ▶ Glass/Metal register as standard
- ▶ Modular rotating flanges
- ▶ Starting flowrate DN50: 15 l/h
- ▶ High dynamic range

AQUILA V4

Single-Jet Meter

METROLOGICAL DATA

Nominal diameter	DN	mm	50	65	80	100
Nominal flowrate	Q ₃	m ³ /h	25	40	63	100
R *	Q ₃ /Q ₁		315	315	315	315
Starting flowrate		l/h	15	25	25	40
Minimum flowrate	Q ₁	l/h	80	127	200	317
Transition flowrate	Q ₂	l/h	127	203	320	508
Maximum flowrate	Q ₄	m ³ /h	31.25	50	78.75	125
Overload		m ³ /h	93	150	157	250

* Other value on request.

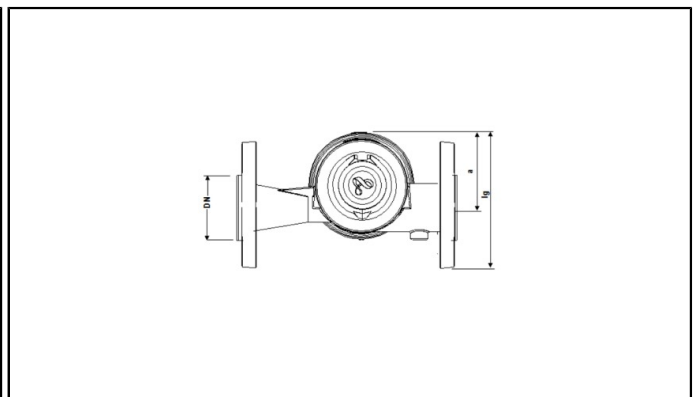
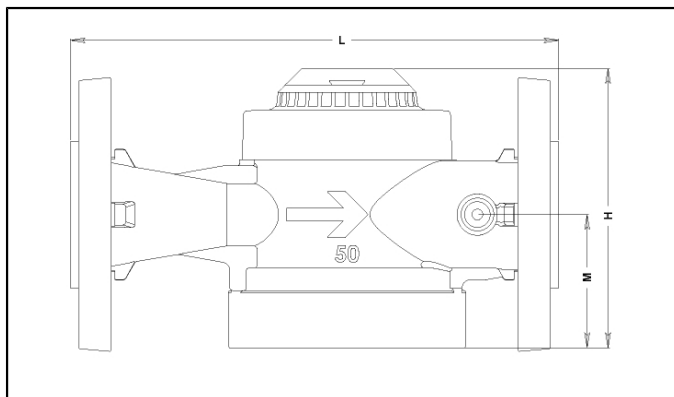
APPROVAL

AQUILA V4	
MID approval	LNE - 10913
Alimentarity	ACS

TEMPERATURE AND PRESSURE

AQUILA V4	
Medium temperature range	°C 0...+50
Nominal pressure	bar 16
Breaking pressure	bar 55
Ambient limit temp./ storage	°C 0...+50

DIMENSIONS



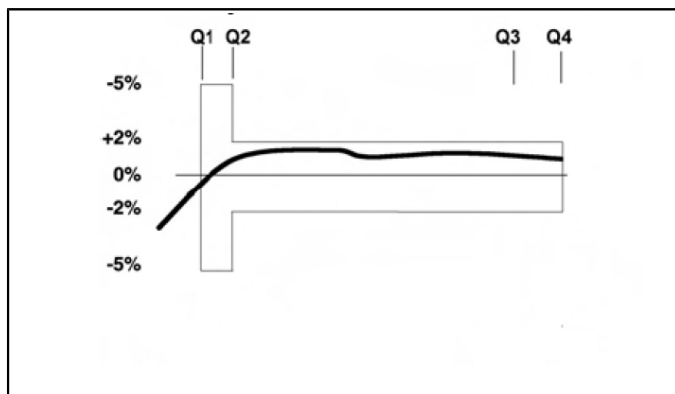
Nominal diameter	DN	mm	50	65	80	100
Length	L	mm	300	300	350	350
Width	a	mm	106	106	150	150
Width	lg	mm	189	199	251	260
Height	h1	mm	83	93	101	110
Height	H	mm	173	183	208	216
Weight		kg	8.8	9.4	16.9	18.7
Flange diameter		mm	165	185	200	220

Standard flange : flat raised face flange

AQUILA V4

Single-Jet Meter

PRECISION CURVE



HEAD LOSS

Nominal diameter	DN	mm	50	65	80	100
Kvs ($\Delta P=Q^2/Kvs^2$)			36	52	88	132

This technology doesn't require straight length.