

WESAN WP H

Bulk Water Meter | Woltman

DIEHL
Metering



APPLICATION

For extracting water from underground and stand hydrants.

FEATURES

- ▶ Calibratable and exchangeable measuring insert
- ▶ For horizontal or vertical installation
- ▶ Outstanding long-term accuracy through hydraulic bearing relief
- ▶ Complete head unit with counter and sensors can be rotated by 350° for easier reading
- ▶ Encapsulated counter of glass/copper IP 68
- ▶ Integrated measurement outputs as standard
- ▶ Sensors for remote readout (digital) and flow measurement (analogue) can be retrofitted on site without affecting calibration
- ▶ Up to two different digital outputs and one analogue output simultaneously
- ▶ Version thread or solid coupling

WESAN WP H

Bulk Water Meter | Woltman

GENERAL

WESAN WP H 225			
Medium temperature range	°C	0 ... 30	
Temperature safety	°C	0 ... 50	
Ambient operating temperature	°C	0 ... 55	
Ambient storage temperature	°C	0 ... 55	
Nominal pressure	PN	bar	16
Display range	0.5 l ... 999,999 m ³		
Protection class	IP 68		

TECHNICAL DATA

WESAN WP H 225				
Nominal diameter	DN	mm	50	80
Nominal flow rate (DIN ISO 4064)	Q _n	m ³ /h	15	40
Permissible continuous load (HY)	Q _n	m ³ /h	35	120
Maximum flow rate (short-term)	Q _{max}	m ³ /h	90	200
Transition flow rate	Q _t	m ³ /h	0.8	0.8
Minimum flow rate horizontal	Q _{min}	m ³ /h	0.3	0.5
Minimum flow rate vertical	Q _{min}	m ³ /h	0.5	0.5
Starting flow rate		l/h	90	160
Flow rate at 0.1 bar pressure loss		m ³ /h	35	115

PULSE OUTPUTS

WESAN WP H 225	
Reed switch 570* - pulse value 1	l/pulse 100
Reed switch 570* - pulse value 2	l/pulse 1000
Special pulse value	l/pulse 25 / 50 / 250 / 500
IR pulse transmitter 573*	l/pulse 1

* For more information about reed switch 570 and IR pulse transmitter 573 please have a look at the specific datasheet.

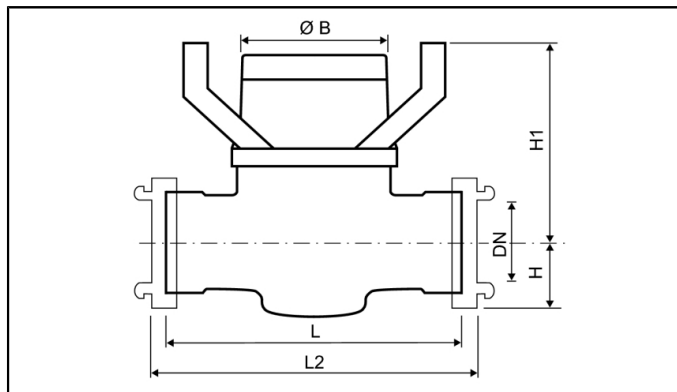
APPROVAL

WESAN WP H 225				
Nominal diameter	DN	mm	50	80
EC			D 03 / 6.132.44	D 06 / 6.132.49
Metrological class			A/B•H	B

WESAN WP H

Bulk Water Meter | Woltman

DIMENSIONS

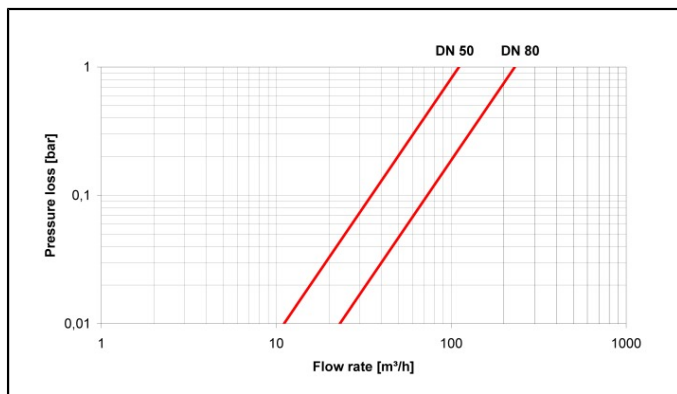


Nominal diameter	DN	mm	50	80
Overall length	L	mm	200	300
Overall length with coupling	L2	mm	245	336
Connection thread on meter		Inch	G2	G2½
Solid coupling			C	B
Height	H	mm	82	82
Height	H1	mm	140	140
Diameter	Ø B	mm	110	110
Width with carrying device		mm	180	180
Weight - version thread		kg	4.3	5.7
Weight - version solid coupling		kg	4.8	6.4

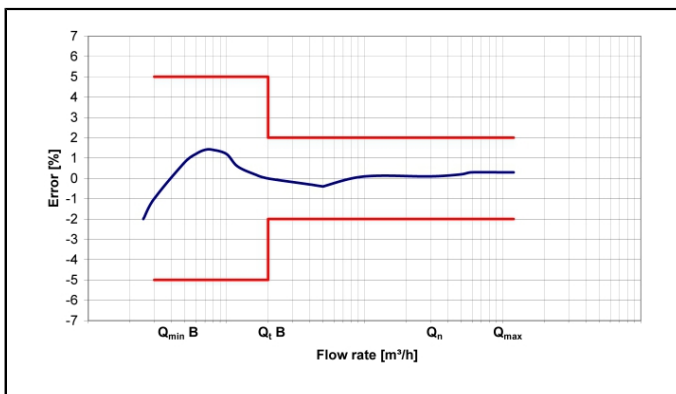
SPECIAL VERSIONS

- With B or C coupling
- With non-return valve
- Electronic counter module

PRESSURE LOSS GRAPH / TYPICAL ERROR GRAPH



Pressure loss graph



Typical error graph